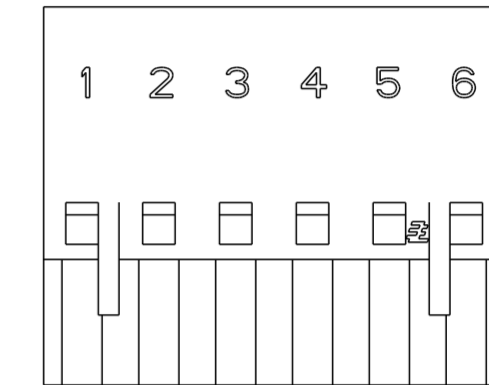
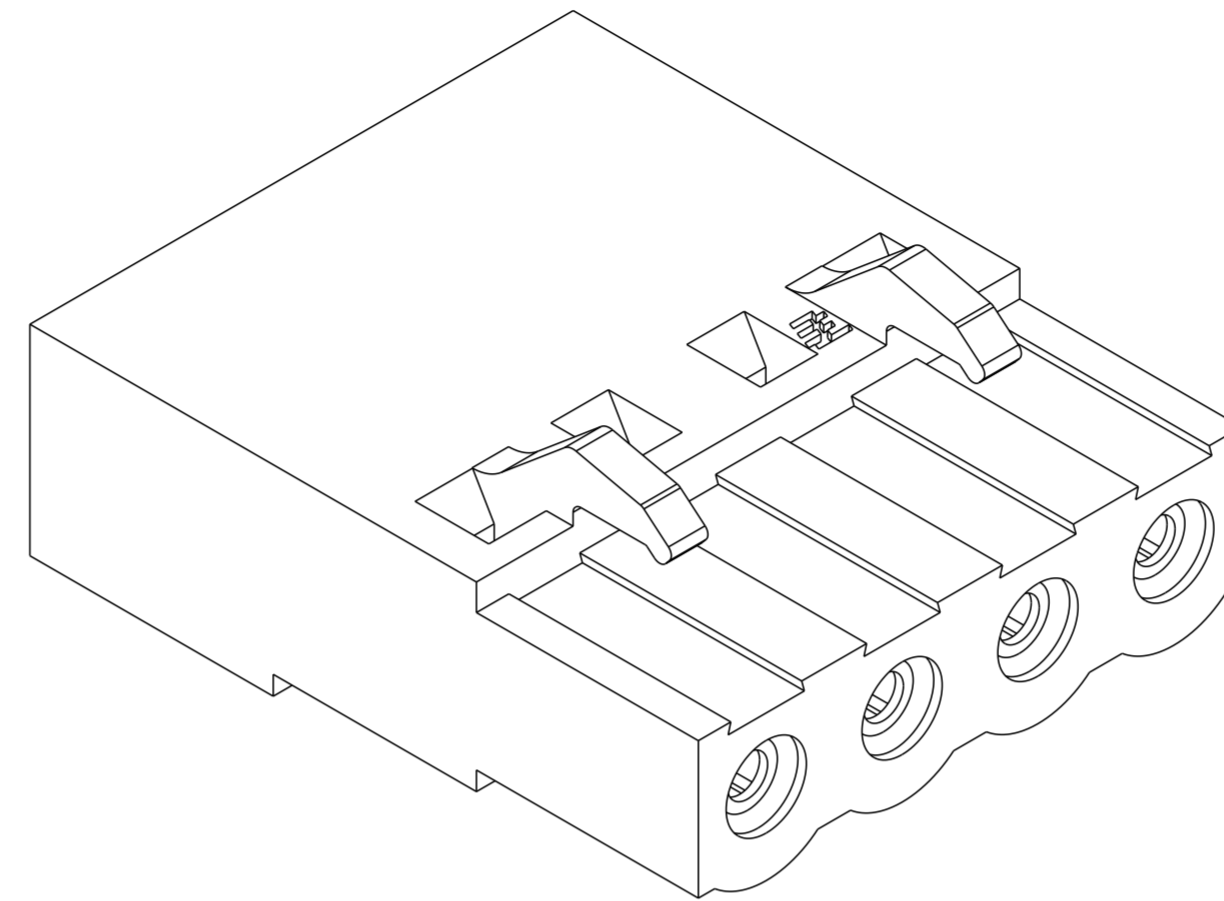
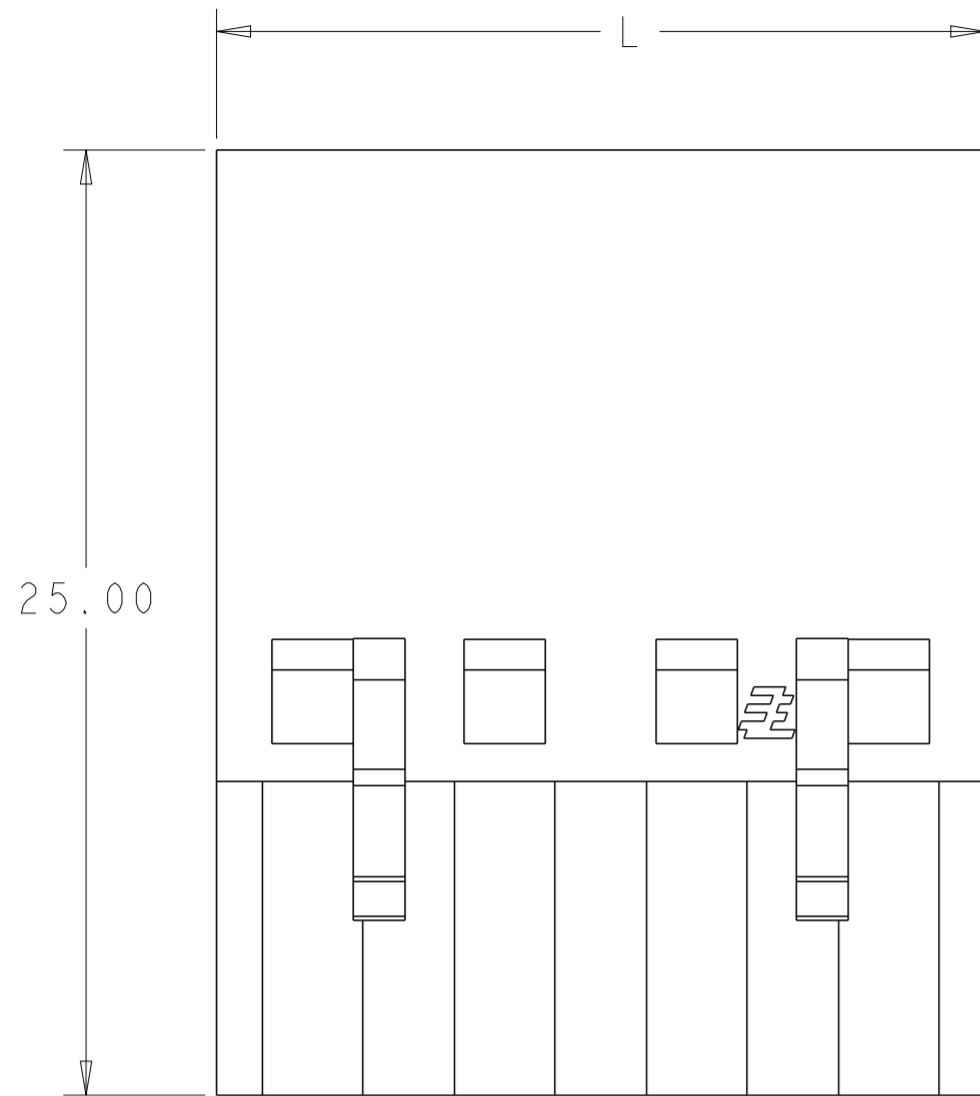
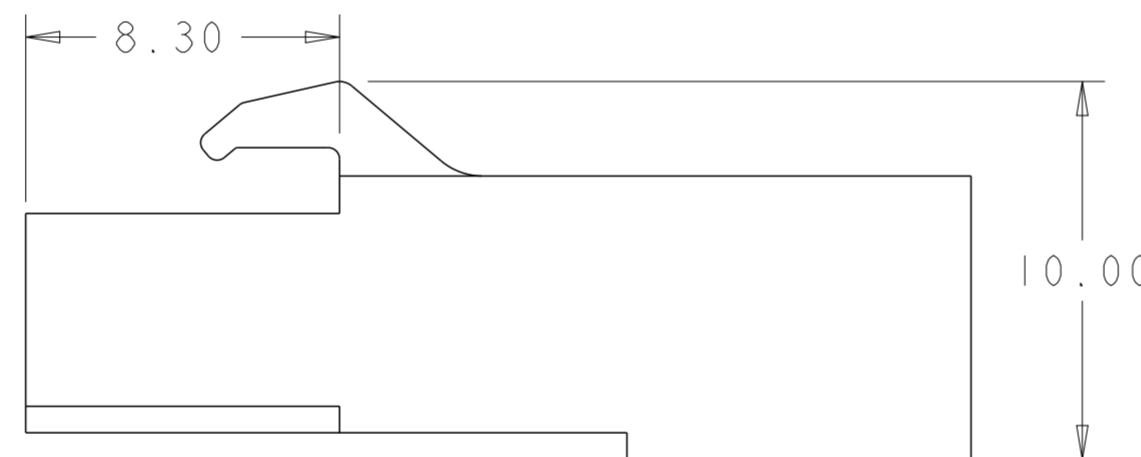
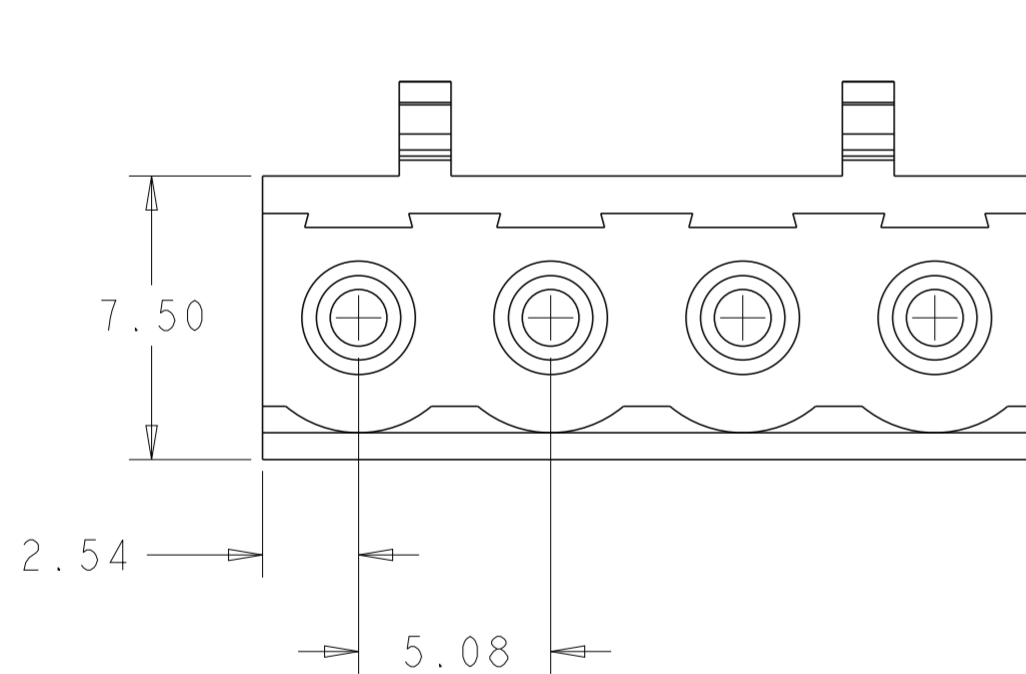


REVISIONS					
P	LTR	DESCRIPTION	DATE	DWN	APVD
A5		PART STATUS UPDATED	05OCT2021	GMN	SS
A6		NATURAL COLOUR NEW PARTS ADDED	10MAY2022	SS	PS
A7		REVISED PER ECR-22-144847	02JAN2023	RB	SM



DETAIL C  $\triangle$

THIS PRODUCT HAS NOT COMPLETED VALIDATION TESTING



$\triangle$   $\triangle$  SEE DETAIL C

OBSOLETE

OBSOLETE

NATURAL	30.48	6	3-1986160-6
NATURAL	25.4	5	3-1986160-5
NATURAL	20.32	4	3-1986160-4
NATURAL	15.24	3	3-1986160-3
NATURAL	10.16	2	3-1986160-2
GREEN	30.48	6	<del>2-1986160-6</del>
GRAY	30.48	6	<del>1-1986160-6</del>
GRAY	25.4	5	<del>1-1986160-5</del>
GRAY	20.32	4	<del>1-1986160-4</del>
GRAY	15.24	3	<del>1-1986160-3</del>
GRAY	10.16	2	<del>1-1986160-2</del>
GREEN	30.48	6	<del>1986160-6</del>
GREEN	25.4	5	<del>1986160-5</del>
GREEN	20.32	4	<del>1986160-4</del>
GREEN	15.24	3	<del>1986160-3</del>
GREEN	10.16	2	<del>1986160-2</del>

HOUSING COLOR	L	NO OF POSN	PART NUMBER
---------------	---	------------	-------------

- MATERIAL:  
HOUSING - POLYESTER, UL 94V-0 RATED, COLOR: SEE TABLE.
- RECOMMENDED CRIMP STYLE CONTACTS, (965899 AND 965901) TO BE USED WITH THIS HOUSING.
- CONNECTOR MATES WITH 5.08mm OPEN AND CLOSED END INDUSTRY STANDARD HEADERS.

$\triangle$  PART TO BE MARKED WITH BLACK PERMANENT MARKING SEE DETAIL C, LETTER TO BE 3.8 MM IN HEIGHT

$\triangle$  PRELIMINARY

THIS DRAWING IS A CONTROLLED DOCUMENT.

DIMENSIONS:	TOLERANCES UNLESS OTHERWISE SPECIFIED:
mm	0 PLC ±
	1 PLC ±0.5
	2 PLC ±0.13
	3 PLC ±0.000
	4 PLC ±0.000
	ANGLES ±
	FINISH -

DWN	S. WELDON	19MAR2007
CHK	C. RICHARD	19MAR2007
APVD	C. RICHARD	19MAR2007
PRODUCT SPEC		
APPLICATION SPEC		
WEIGHT		
CUSTOMER DRAWING		

<b>STE</b> TE Connectivity			
NAME PLUG HOUSING, TERMINAL BLOCK, CRIMP STYLE, 5.08mm PITCH			
SIZE	CAGE CODE	DRAWING NO	RESTRICTED TO
A2	00779	C-1986160	-
SCALE	5:1	SHEET	OF 1
REV	A7		