

FEATURES/BENEFITS

- Pin and function compatible with T.I. Widebus™ and IDT Double-Density™ families
- CMOS power levels: <math><1\mu\text{W}</math> typical standby
- SSOP (PV) and TSSOP (PA) packages
- Low output skew: 0.5ns $t_{SK(O)}$
- Flow-through pinout for easy layout
- Power off disable allows hot plugging
- Industrial temperature: -40°C to $+85^{\circ}\text{C}$
- Input hysteresis for noise immunity
- Multiple power and ground pins for low noise

FCT16543T

- High drive standard FCT-T outputs:
 $I_{OL} = +64\text{mA}$, $I_{OH} = -32\text{mA}$
- Incident switching for driving buses and large loads

FCT162543T

- Balanced output drivers: $\pm 24\text{mA}$
- Reduced switching noise for point to point signals

DESCRIPTION

The FCT16543 family of products are 16-bit latched bus transceivers with three-state outputs that are ideal for driving address and data buses. Two independent 8-bit D-type latched transceivers are used with separate input and output control to permit independent control of data flow in either direction. Easy board layout is facilitated by the use of flow-through pinouts and byte enable controls provide architectural flexibility for systems designers. All outputs have ground bounce suppression circuitry (see QSI Application Note AN-01) and many power and ground pins provide low ground bounce. To accommodate hot-plug or live insertion applications, both versions of this product were designed not to load an active bus when V_{CC} is removed. In applications where bus signals are point-to-point or driving light capacitance loads, the balanced drive FCT162543 is recommended.

Figure 1. Functional Block Diagram

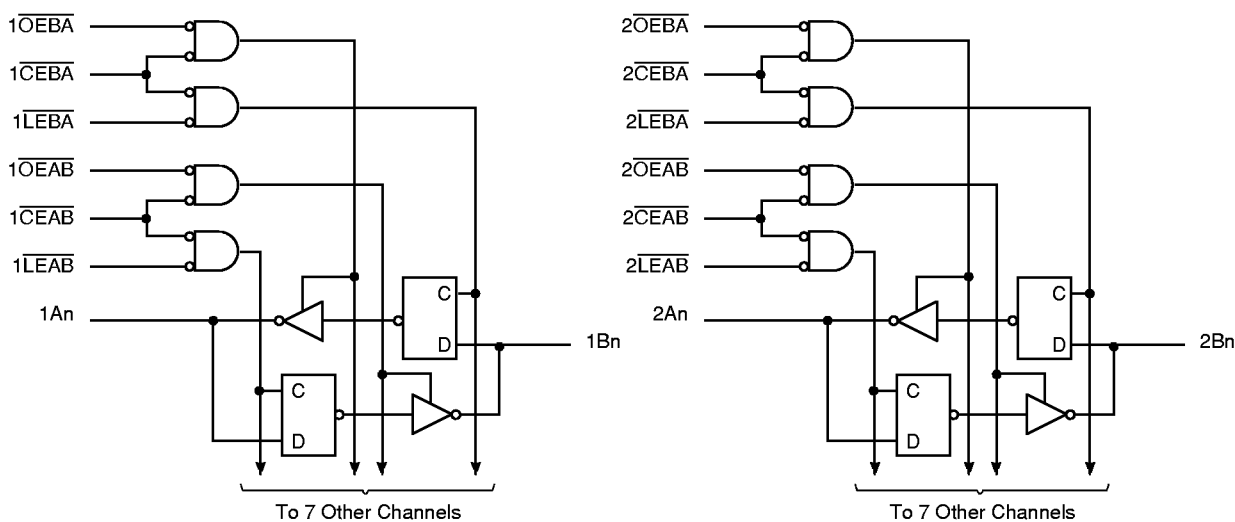


Figure 2. Pin Configuration
(All Pins Top View)

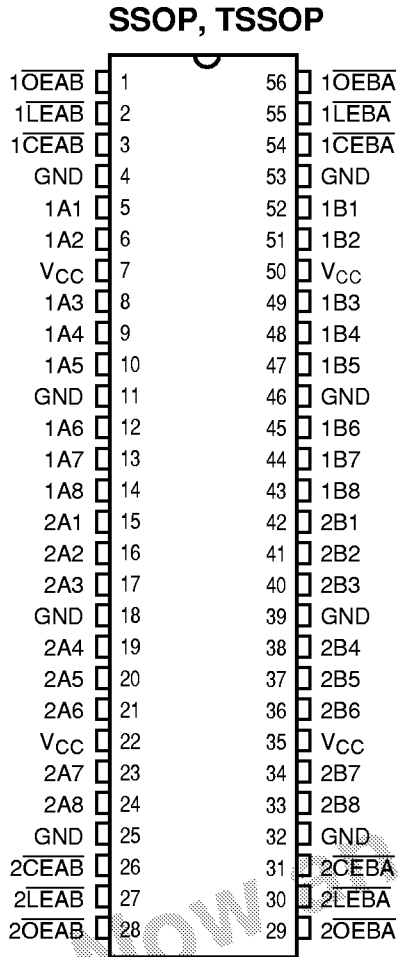


Table 1. Pin Description

| Name | Description |
|--------------------|--|
| \overline{xOEAB} | A to B Output Enable Inputs (Active LOW) |
| \overline{xOEBA} | B to A Output Enable Inputs (Active LOW) |
| \overline{xCEAB} | A to B Enable Inputs (Active LOW) |
| \overline{xCEBA} | B to A Enable Inputs (Active LOW) |
| \overline{xLEAB} | A to B Latch Enable Inputs (Active LOW) |
| \overline{xLEBA} | B to A Latch Enable Inputs (Active LOW) |
| xAx | A to B Data Inputs or B to A 3-State Outputs |
| xBx | B to A Data Inputs or A to B 3-State Outputs |

Table 2. Function Table

| Inputs | | | Latch Status | Output Buffers |
|--------------------|--------------------|--------------------|----------------|--------------------|
| \overline{xCEAB} | \overline{xLEAB} | \overline{xOEAB} | xAx to xBx | xBx |
| H | X | X | Storing | High-Z |
| X | H | X | Storing | X |
| X | X | H | X | High-Z |
| L | L | L | Transparent | Current A Inputs |
| L | H | L | Storing | Previous* A Inputs |

Notes:

- * = Before \overline{xLEAB} LOW-to-HIGH Transition
 H = HIGH Voltage Level
 L = LOW Voltage Level
 X = Don't Care
- A-to-B data flow shown: B-to-A flow control is the same, except using \overline{xCEBA} , \overline{xLEBA} , \overline{xOEBA}

Table 3. Absolute Maximum Ratings

| | |
|---|----------------|
| Supply Voltage to Ground | -0.5V to +7.0V |
| DC Output Voltage V_{OUT} | -0.5V to +7.0V |
| DC Input Voltage V_{IN} | -0.5V to +7.0V |
| AC Input Voltage (for a pulse width ≤ 20 ns) | -3.0V |
| DC Input Diode Current with $V_{IN} < 0$ V | -20mA |
| DC Output Diode Current with $V_{OUT} < 0$ V | -50mA |
| DC Output Current Max. Sink Current/Pin | 120mA |
| Maximum Power Dissipation | 1.0 watts |
| T_{STG} Storage Temperature | -65° to +150°C |

Note: Stresses greater than those listed under ABSOLUTE MAXIMUM RATINGS may cause permanent damage to this device resulting in functional or reliability type failures.

Table 4. DC Electrical Characteristics Over Operating Range

Recommended Operating Ranges apply unless otherwise noted.

| Symbol | Parameter | Test Conditions ⁽¹⁾ | Min | Typ ⁽²⁾ | Max | Unit |
|--------------------------|------------------------------------|---|-----|--------------------|------|---------------|
| V_{IH} | Input HIGH Voltage | Logic HIGH for All Inputs | 2.0 | — | — | V |
| V_{IL} | Input LOW Voltage | Logic LOW for All Inputs | — | — | 0.8 | V |
| ΔV_T | Input Hysteresis | $V_{TLH} - V_{THL}$ for All Inputs ⁽⁴⁾ | — | 100 | — | mV |
| $ I_{IH} $ $ I_{IL} $ | Input Current Input HIGH or LOW | $V_{CC} = \text{Max.}, 0 \leq V_{IN} < V_{CC}$ | — | — | 1 | μA |
| $ I_{OZ} $ | Off-State Output Current (Hi-Z) | $V_{CC} = \text{Max.}, 0 \leq V_{OUT} \leq V_{CC}$ | — | — | 1 | μA |
| $ I_{OFF} $ | Power off leakage | $V_{CC} = 0\text{V}, V_{IN/OUT} \leq 4.5\text{V}^{(5)}$ | — | — | 1 | μA |
| I_{OS} | Short Circuit Current | $V_{CC} = \text{Max.}, V_{OUT} = \text{GND}^{(3,4)}$ | -80 | -140 | -225 | mA |
| V_{IK} | Input Clamp Voltage | $V_{CC} = \text{Min.}, I_{IN} = -18\text{mA}$ | - | -0.7 | -1.2 | V |

Notes:

1. For conditions shown as Min. or Max. use appropriate value specified under Recommended Operating Conditions for the applicable device type.
2. Typical values indicate $V_{CC} = 5.0\text{V}$ and $T_A = 25^\circ\text{C}$.
3. Not more than one output should be tested at one time. Duration of test should not exceed one second.
4. These parameters are guaranteed by design but not tested.
5. The test limit for this parameter is $\pm 5\mu\text{A}$ at $T_A = -55^\circ\text{C}$

Table 5. Capacitance

$T_A = 25^\circ\text{C}, f = 1\text{MHz}, V_{IN} = 0\text{V}, V_{OUT} = 0\text{V}$

| Pins | Typ | Max | Unit |
|------|-----|-----|------|
| All | 6.0 | 9.0 | pF |

Table 6. Recommended Operating Conditions

| Symbol | Parameter | Min | Max | Unit |
|---------------------|----------------------------------|-----|----------|------|
| V_{CC} | Supply Voltage | 4.5 | 5.5 | V |
| V_{IN} | Input Voltage | 0 | V_{CC} | V |
| V_{OUT} | Voltage Applied to Output or I/O | 0 | V_{CC} | V |
| $\Delta t/\Delta v$ | Input Transition Slew Rate | — | 10 | ns/V |
| T_A | Operating Free Air Temperature | -40 | +85 | °C |

Table 7. Output Drive Characteristics for FCT16543T

| Symbol | Parameter | Test Conditions ⁽¹⁾ | Min | Typ ⁽²⁾ | Max | Unit | |
|----------|---------------------|--|-------------------------------|--------------------|-----|------|---|
| V_{OH} | Output HIGH Voltage | $V_{CC} = \text{Min.}$ $V_{IN} = V_{IH} \text{ or } V_{IL}$ | $I_{OH} = -3\text{mA}$ | 2.5 | 3.4 | — | V |
| | | | $I_{OH} = -15\text{mA}$ | 2.4 | 3.2 | — | V |
| | | | $I_{OH} = -32\text{mA}^{(4)}$ | 2.0 | 3.0 | — | V |
| V_{OL} | Output LOW Voltage | $V_{CC} = \text{Min.}$ $V_{IN} = V_{IH} \text{ or } V_{IL}$ | $I_{OL} = 64\text{mA}$ | — | 0.3 | 0.55 | V |

Table 8. Output Drive Characteristics for FCT162543T

| Symbol | Parameter | Test Conditions ⁽¹⁾ | Min | Typ ⁽²⁾ | Max | Unit | |
|-----------|---------------------|--|-------------------------|--------------------|------|------|---|
| I_{ODL} | Output LOW Current | $V_{CC} = 5\text{V}$, $V_{IN} = V_{IH} \text{ or } V_{IL}$ $V_{OUT} = 1.5\text{V}^{(3)}$ | 60 | 115 | 200 | mA | |
| I_{ODH} | Output HIGH Current | $V_{CC} = 5\text{V}$, $V_{IN} = V_{IH} \text{ or } V_{IL}$ $V_{OUT} = 1.5\text{V}^{(3)}$ | -60 | -115 | -200 | mA | |
| V_{OH} | Output HIGH Voltage | $V_{CC} = \text{Min.}$ $V_{IN} = V_{IH} \text{ or } V_{IL}$ | $I_{OH} = -24\text{mA}$ | 2.4 | 3.1 | — | V |
| V_{OL} | Output LOW Voltage | $V_{CC} = \text{Min.}$ $V_{IN} = V_{IH} \text{ or } V_{IL}$ | $I_{OL} = 24\text{mA}$ | — | 0.3 | 0.55 | V |

Notes:

1. For conditions shown as Min. or Max. use appropriate value specified under Electrical Characteristics for the applicable device type.
2. Typical values indicate $V_{CC} = 5.0\text{V}$ and $T_A = 25^\circ\text{C}$.
3. Not more than one output should be shorted and the duration is ≤ 1 second.
4. Duration of the condition should not exceed one second.

Figure 9. Power Supply Characteristics

| Symbol | Parameter | Test Conditions ⁽¹⁾ | Typ ⁽²⁾ | Max | Unit | |
|-------------------------------------|---|---|---|-----|--------------------|--------------------------|
| I_{CCL} I_{CCH} I_{CCZ} | Quiescent Power Supply Current | $V_{CC} = \text{Max.}, V_{IN} = \text{GND or } V_{CC}$ | 5 | 500 | μA | |
| ΔI_{CC} | Supply Current per Input @ TTL HIGH | $V_{CC} = \text{Max.}, V_{IN} = 3.4\text{V}^{(3)}$ | 0.5 | 1.5 | mA | |
| Q_{CCD} | Supply Current per Input per MHz ⁽⁴⁾ | $V_{CC} = \text{Max.}, \text{Outputs Open One Bit Toggling @ 50\% Duty Cycle}$ \overline{xCEAB} and $\overline{xOEAB} = \text{GND},$ $\overline{xCEBA} = V_{CC}$ | $V_{IN} = V_{CC}$ $V_{IN} = \text{GND}$ | 75 | 120 | $\mu\text{A}/\text{MHz}$ |
| I_C | Total Power Supply Current ⁽⁶⁾ | $V_{CC} = \text{Max.}, \text{Outputs Open One Bit Toggling @ 50\% Duty Cycle}$ $f_1 = 10\text{MHz}, \overline{xCEBA} = V_{CC}$ $\overline{xLEAB}, \overline{xCEAB}$ and $\overline{xOEAB} = \text{GND},$ | $V_{IN} = V_{CC}$ $V_{IN} = \text{GND}$ | 0.8 | 1.7 ⁽⁵⁾ | mA |
| | | | $V_{IN} = 3.4\text{V}$ $V_{IN} = \text{GND}$ | 1.3 | 3.2 ⁽⁵⁾ | mA |
| | | $V_{CC} = \text{Max.}, \text{Outputs Open Sixteen Bits Toggling @ 50\% Duty Cycle}$ $f_1 = 2.5\text{MHz}, \overline{xCEBA} = V_{CC}$ $\overline{xLEAB}, \overline{xCEAB}$ and $\overline{xOEAB} = \text{GND}$ | $V_{IN} = V_{CC}$ $V_{IN} = \text{GND}$ | 3.8 | 6.5 ⁽⁵⁾ | mA |
| | | | $V_{IN} = 3.4\text{V}$ $V_{IN} = \text{GND}$ | 8.3 | 20 ⁽⁵⁾ | mA |

Notes:

- For conditions shown as Min. or Max., use the appropriate values specified under Recommended Operating Conditions for applicable device type.
- Typical values are at $V_{CC} = 5.0\text{V}, +25^\circ\text{C}$ ambient.
- Per TTL driven input ($V_{IN} = 3.4\text{V}$). All Other Inputs at V_{CC} or GND.
- This parameter is not directly testable, but is derived for use in Total Power Supply Calculations.
- Values for these conditions are examples of the I_{CC} formula. These limits are guaranteed by design but not tested.
- $I_C = I_{\text{QUIESCENT}} + I_{\text{INPUTS}} = I_{\text{DYNAMIC}}$
 $I_C = I_{CCQ} + \Delta I_{CC} D_H N_T + I_{CCD} (f_{CP} N_{CP} / 2 + f_1 N_I)$
 $I_{CCQ} = \text{Quiescent Current } (I_{CCL}, I_{CCH}, \text{ and } I_{CCZ})$
 $\Delta I_{CC} = \text{Power Supply Current for a TTL-High Input } (V_{IN} = 3.4\text{V})$
 $D_H = \text{Duty Cycle for TTL High Inputs.}$
 $N_T = \text{Number of TTL High Inputs.}$
 $I_{CCD} = \text{Dynamic Current Caused by an Input Transition Pair (HLH or LHL).}$
 $f_{CP} = \text{Clock Frequency for Register devices (Zero for Non-Register Devices).}$
 $N_{CP} = \text{Number of Clock Inputs at } f_{CP}$
 $f_1 = \text{Input Frequency.}$
 $N_I = \text{Number of Inputs at } f_1$

Table 10. Switching Characteristics Over Operating Range

Recommended Operating Ranges apply unless otherwise specified.

$C_{LOAD} = 50pF$, $R_{LOAD} = 500\Omega$ unless otherwise noted.

| Symbol | Description ⁽¹⁾ | FCT16543T FCT162543T | | FCT16543AT FCT162543AT | | FCT16543CT FCT162543CT | | Unit |
|------------------------|---|-------------------------|------|---------------------------|-----|---------------------------|-----|------|
| | | Min | Max | Min | Max | Min | Max | |
| t_{PHL} t_{PLH} | Propagation Delay Transparent Mode xAx to xBx or xBx to xAx | 1.5 | 8.5 | 1.5 | 6.5 | 1.5 | 5.3 | ns |
| t_{PHL} t_{PLH} | Propagation Delay \overline{xLEBA} to xAx, \overline{xLEAB} to xBx | 1.5 | 12.5 | 1.5 | 8.0 | 1.5 | 7.0 | ns |
| t_{PZH} t_{PZL} | Output Enable Time \overline{xOEBA} or \overline{xOEAB} to xAx or xBx, \overline{xCEBA} or \overline{xCEAB} to xAx or xBx | 1.5 | 12.0 | 1.5 | 9.0 | 1.5 | 8.0 | ns |
| t_{PHZ} t_{PLZ} | Output Disable Time ⁽³⁾ \overline{xOEBA} or \overline{xOEAB} to xAx or xBx, \overline{xCEBA} or \overline{xCEAB} to xAx or xBx | 1.5 | 9.0 | 1.5 | 7.5 | 1.5 | 6.5 | ns |
| t_{SU} | Setup Time HIGH or LOW xAx or xBx to \overline{xLEBA} or \overline{xLEAB} | 3.0 | — | 2.0 | — | 2.0 | — | ns |
| t_H | Hold Time HIGH or LOW xAx or xBx to \overline{xLEBA} or \overline{xLEAB} | 2.0 | — | 2.0 | — | 2.0 | — | ns |
| t_W | Pulse Width LOW ⁽³⁾ \overline{xLEBA} or \overline{xLEAB} | 5.0 | — | 5.0 | — | 5.0 | — | ns |
| $t_{SK(O)}$ | Output Skew ⁽²⁾ | — | 0.5 | — | 0.5 | — | 0.5 | ns |

Notes:

1. Minimums guaranteed but not tested. See Test Circuit and Waveforms.
2. Skew between any two outputs of the same package switching in the same direction. This parameter is guaranteed by design but not tested.
3. This condition is guaranteed by characterization, but not production tested.