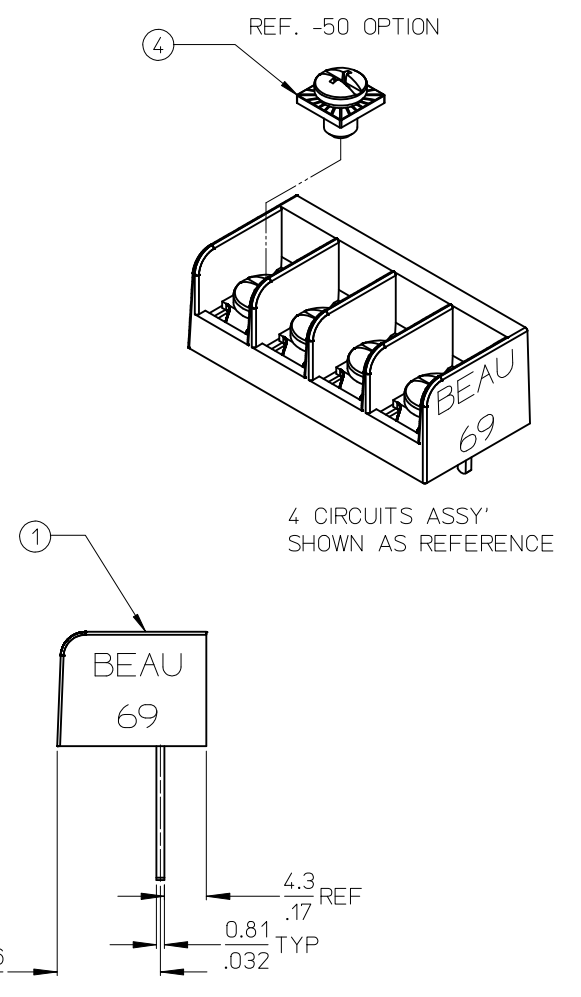
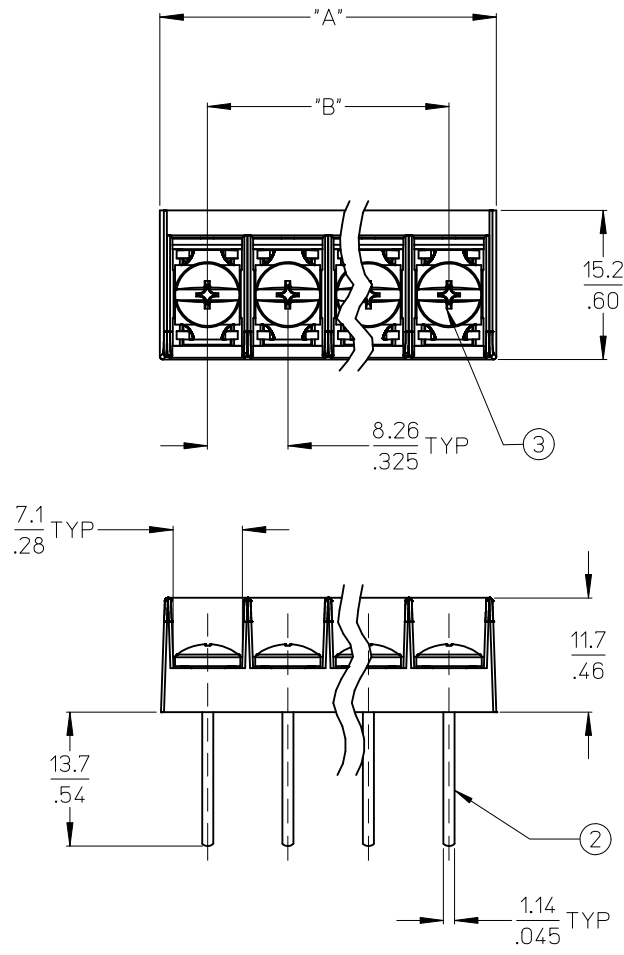


| NO. OF CIRCUITS | DIM. "A" | | DIM. "B" | | ASSEMBLY MATERIAL NO. (STANDARD) | ASSEMBLY MATERIAL NO. (-50 OPT) |
|-----------------|----------|-------|----------|-------|----------------------------------|---------------------------------|
| | mm | in | mm | in | | |
| 02 | 17.9 | .71 | 8.3 | .33 | 386912302 | 386913502 |
| 03 | 26.2 | 1.03 | 16.5 | .65 | 386912303 | 386913503 |
| 04 | 34.4 | 1.36 | 24.8 | .98 | 386912304 | 386913504 |
| 05 | 42.7 | 1.68 | 33.0 | 1.30 | 386912305 | 386913505 |
| 06 | 50.9 | 2.01 | 41.3 | 1.63 | 386912306 | 386913506 |
| 07 | 59.2 | 2.33 | 49.5 | 1.95 | 386912307 | 386913507 |
| 08 | 67.4 | 2.66 | 57.8 | 2.28 | 386912308 | 386913508 |
| 09 | 75.7 | 2.98 | 66.0 | 2.60 | 386912309 | 386913509 |
| 10 | 83.9 | 3.31 | 74.3 | 2.93 | 386912310 | 386913510 |
| 11 | 92.2 | 3.63 | 82.6 | 3.25 | 386912311 | 386913511 |
| 12 | 100.5 | 3.96 | 90.8 | 3.58 | 386912312 | 386913512 |
| 13 | 108.7 | 4.28 | 99.1 | 3.90 | 386912313 | 386913513 |
| 14 | 117.0 | 4.61 | 107.3 | 4.23 | 386912314 | 386913514 |
| 15 | 125.2 | 4.93 | 115.6 | 4.55 | 386912315 | 386913515 |
| 16 | 133.5 | 5.26 | 123.8 | 4.88 | 386912316 | 386913516 |
| 17 | 141.7 | 5.58 | 132.1 | 5.20 | 386912317 | 386913517 |
| 18 | 150.0 | 5.91 | 140.3 | 5.53 | 386912318 | 386913518 |
| 19 | 158.2 | 6.23 | 148.6 | 5.85 | 386912319 | 386913519 |
| 20 | 166.5 | 6.56 | 156.8 | 6.18 | 386912320 | 386913520 |
| 21 | 174.8 | 6.88 | 165.1 | 6.50 | 386912321 | 386913521 |
| 22 | 183.0 | 7.21 | 173.4 | 6.83 | 386912322 | 386913522 |
| 23 | 191.3 | 7.53 | 181.6 | 7.15 | 386912323 | 386913523 |
| 24 | 199.5 | 7.86 | 189.9 | 7.48 | 386912324 | 386913524 |
| 25 | 207.8 | 8.18 | 198.1 | 7.80 | 386912325 | 386913525 |
| 26 | 216.0 | 8.51 | 206.4 | 8.13 | 386912326 | 386913526 |
| 27 | 224.3 | 8.83 | 214.6 | 8.45 | 386912327 | 386913527 |
| 28 | 232.5 | 9.16 | 222.9 | 8.78 | 386912328 | 386913528 |
| 29 | 240.8 | 9.48 | 231.1 | 9.10 | 386912329 | 386913529 |
| 30 | 249.0 | 9.81 | 239.4 | 9.43 | 386912330 | 386913530 |
| 31 | 257.3 | 10.13 | 247.7 | 9.75 | 386912331 | 386913531 |
| 32 | 265.6 | 10.46 | 255.9 | 10.08 | 386912332 | 386913532 |



NOTES:
 1. MATERIAL: SEE TABLE
 2. FINISHES: SEE TABLE.
 3. "XX" REFERS TO THE QUANTITY OF CIRCUITS.
 4. ROHS COMPLIANT.

| ITEM | QTY. | DESCRIPTION | MATERIAL NO. | ENGINEERING NO. |
|------|------|--|-----------------|--------------------|
| 4 | XX | SCREW #6-32X.155 PAN PHSLZN/BR/STEEL -50 | STEEL | ZN, CLEAR CHROMATE |
| 3 | XX | SCREW #6-32X.160 PAN PHSLNI/BRASS (STD) | BRASS | NICKEL PLATE |
| 2 | XX | TERMINAL, PC | BRASS | TIN PLATE |
| 1 | 1 | INSULATOR | POLYESTER (PBT) | BLACK |

RELEASED
 EC NO: IPG2012-0967
 DRAWN: JENCINAS 2012/05/25
 CHKD: JMACNEIL 2012/05/31
 APPR: JMACNEIL 2012/06/01

QUALITY SYMBOLS
 ▼=0
 ▽=0

| GENERAL TOLERANCES (UNLESS SPECIFIED) | |
|---------------------------------------|--------|
| mm | INCH |
| 4 PLACES ± --- | ± --- |
| 3 PLACES ± --- | ± .005 |
| 2 PLACES ± 0.13 | ± .01 |
| 1 PLACE ± 0.3 | ± --- |
| ANGULAR ± 2° | |

DRAFT WHERE APPLICABLE
 MUST REMAIN WITHIN DIMENSIONS

DIMENSION STYLE
MM/IN

SCALE
2:1

DESIGN UNITS
INCH

THIRD ANGLE PROJECTION

DRAWN BY
 AHIDALGO

DATE
 2007/04/02

CHECKED BY
 JENCINAS

DATE
 2007/04/02

APPROVED BY
 JMACNEIL

DATE
 2012/06/01

MATERIAL NO.
SEE CHART

TITLE
8.26/.325 SR TRI-BARRIER TERMINAL STRIP -C -W -50

MOLEX INCORPORATED

DOCUMENT NO.
SD-38691-002

SHEET NO.
1 OF 1

THIS DRAWING CONTAINS INFORMATION THAT IS PROPRIETARY TO MOLEX INCORPORATED AND SHOULD NOT BE USED WITHOUT WRITTEN PERMISSION