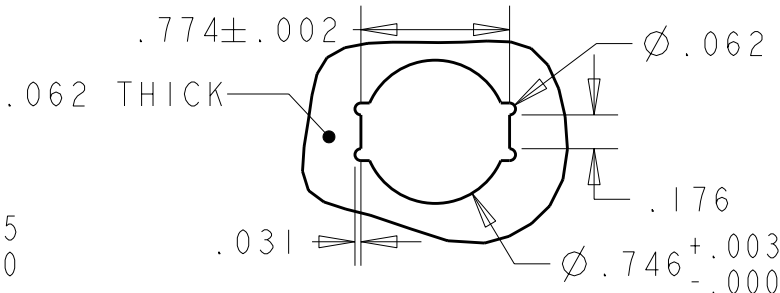
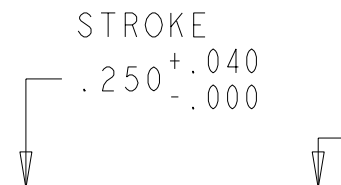
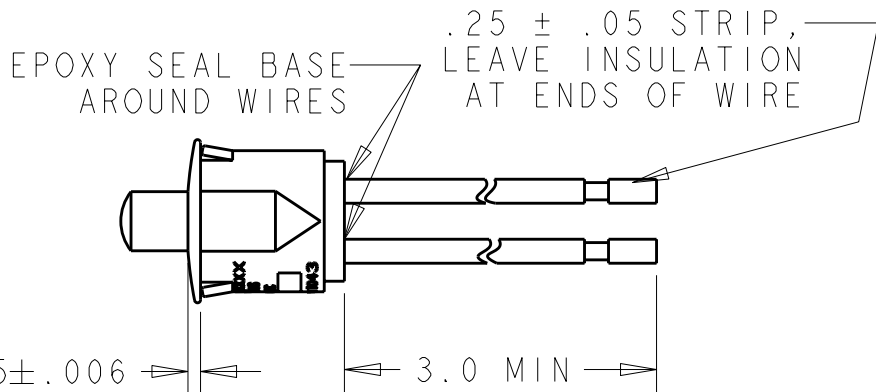
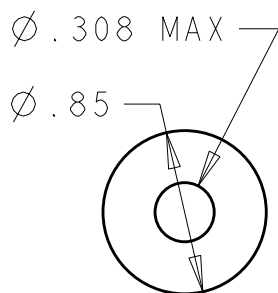
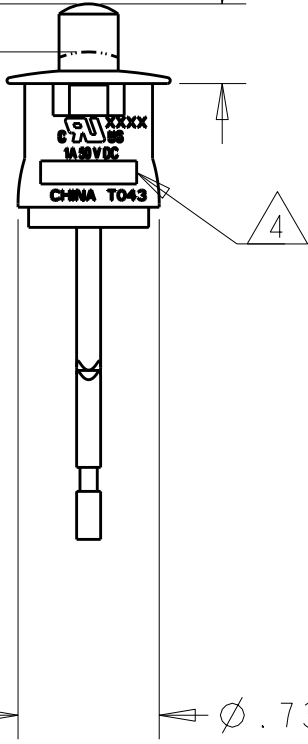


LOC	DIST	REVISIONS					
		P	LTR	DESCRIPTION	DATE	DWN	APVD
-	-		A4	REVISED PER ECO-10-006305	25MAR2010	HMR	NE



RECOMMENDED PANEL CUTOUT
SCALE 1:1

- NOTES:
- WIRE: 18 AWG, TINNED, PVC INSULATED
W/ 105°C AND 600 V RATING (UL 1015).
CONTACT MATERIAL: COPPER SILVER PLATED.
CIRCUIT: 1 PST NORMALLY CLOSED.
OPERATING (BREAK CURRENT) FORCE: 1.5 LB MAX.
END OF STROKE FORCE = 2.5 LB MAX.
 - ELECTRICAL SPECIFICATIONS:
CURRENT: 1 A, 50 V DC.
DIELECTRIC: 1000 V RMS MIN.
INSULATION RESISTANCE: 100 MΩ MIN.
CONTACT RESISTANCE: 100 mΩ MAX.
CYCLE LIFE: 6000 OPERATIONS MIN.
TEMPERATURE RISE: <30°C AT 6000 OPERATIONS.
 - ENVIRONMENTAL SPECIFICATIONS:
OPERATING AND STORAGE TEMPERATURE: -18 TO 65°C.
- 4 TYCO ELECTRONICS LOGO PER TEC 202-36 LOCATED APPROXIMATELY AS SHOWN.



THIS DRAWING IS UNPUBLISHED. BY TYCO ELECTRONICS CORPORATION. ALL RIGHTS RESERVED. COPYRIGHT 20

DIMENSIONS: INCHES		DWN J.C. YOSLER 10NOV2003	MATERIAL -	FINISH -	1571485-1 PART NUMBER	
TOLERANCES UNLESS OTHERWISE SPECIFIED:		CHK J.C. YOSLER 10NOV2003	Tyco Electronics Harrisburg, PA 17105-3608		PUSH BUTTON SWITCH, NORMALLY CLOSED	
0 PLC ± 1 PLC ±.1 2 PLC ±.01 3 PLC ±.005 4 PLC ± ANGLES ±30'		APVD M. WILBOURN 07NOV2006	NAME			
		PRODUCT SPEC -	SIZE		CAGE CODE	DRAWING NO
		APPLICATION SPEC -	A4		00779	1571485
		WEIGHT -	RESTRICTED TO		-	
CUSTOMER DRAWING		SCALE		SHEET		OF
		1:1		1		REV A4