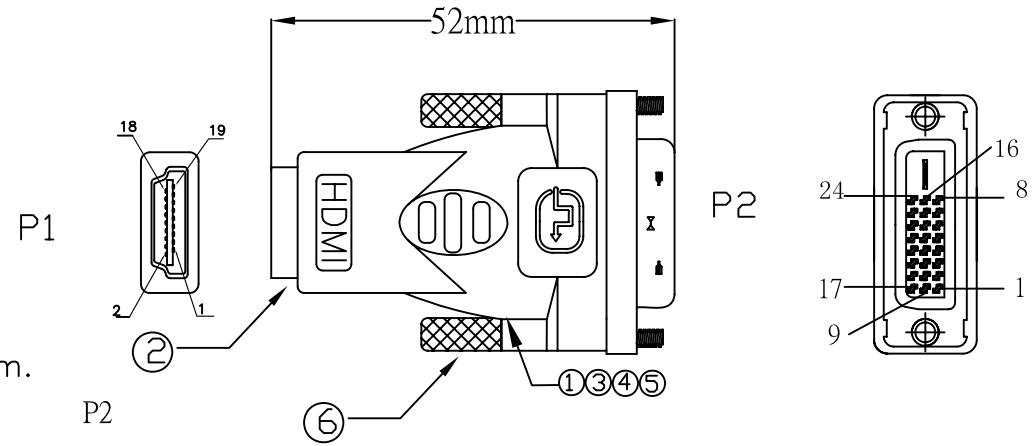


1. Wiring Diagram.

P1	_____	P2	_____
1	_____	2	_____
3	_____	1	_____
4	_____	10	_____
6	_____	9	_____
7	_____	18	_____
9	_____	17	_____
10	_____	23	_____
12	_____	24	_____
15	_____	6	_____
16	_____	7	_____
17	_____	15	_____
18	_____	14	_____
19	_____	16	_____
SHELL	_____	SHELL	_____



2. Cable test condition:
 Open/Short :100%
 Insulation resistance:5M ohm
 Contact resistance:2 ohm
 Hipot: DC 300V/1 sec
 3.Each pcs with PE polybage

NO.	PART NO.	DESCRIPTION	QTY	UNIT/REF
6	SCREW	#4-40UNC 21.5MM NICKEL	2	
5	PE	LLDPE 500026 6201	20g	
4	PVC	45P PVC BLACK OVERMOLD	50g	
3	CONN	HDMI FEMALE G/F INSULATION BLACKSHELL NICKEL PIN G/F	1	P2
2	CONN	DVI24+1 MALE G/F INSULATION BLACKSHELL NICKEL PIN G/F	1	P2
1	WIRE	UL1007 28AWG	14	55mm
BILL OF MATERIAL				

A	INITIAL RELEASE	2016/03/30
REV#	DESCRIPTION	DATE
CnC Tech,LLC		P/N: 452-A19F-24M
		TITLE: DVI24+1 M TO HDMI F ADAPTER
DRAWN: WENC	DATE: 16/03/30	CUSTOMER P/N:
CHECKED: EDWIN	DATE: 16/03/30	CUSTOMER:
APPROVAL:		SHEET 1 OF 1

