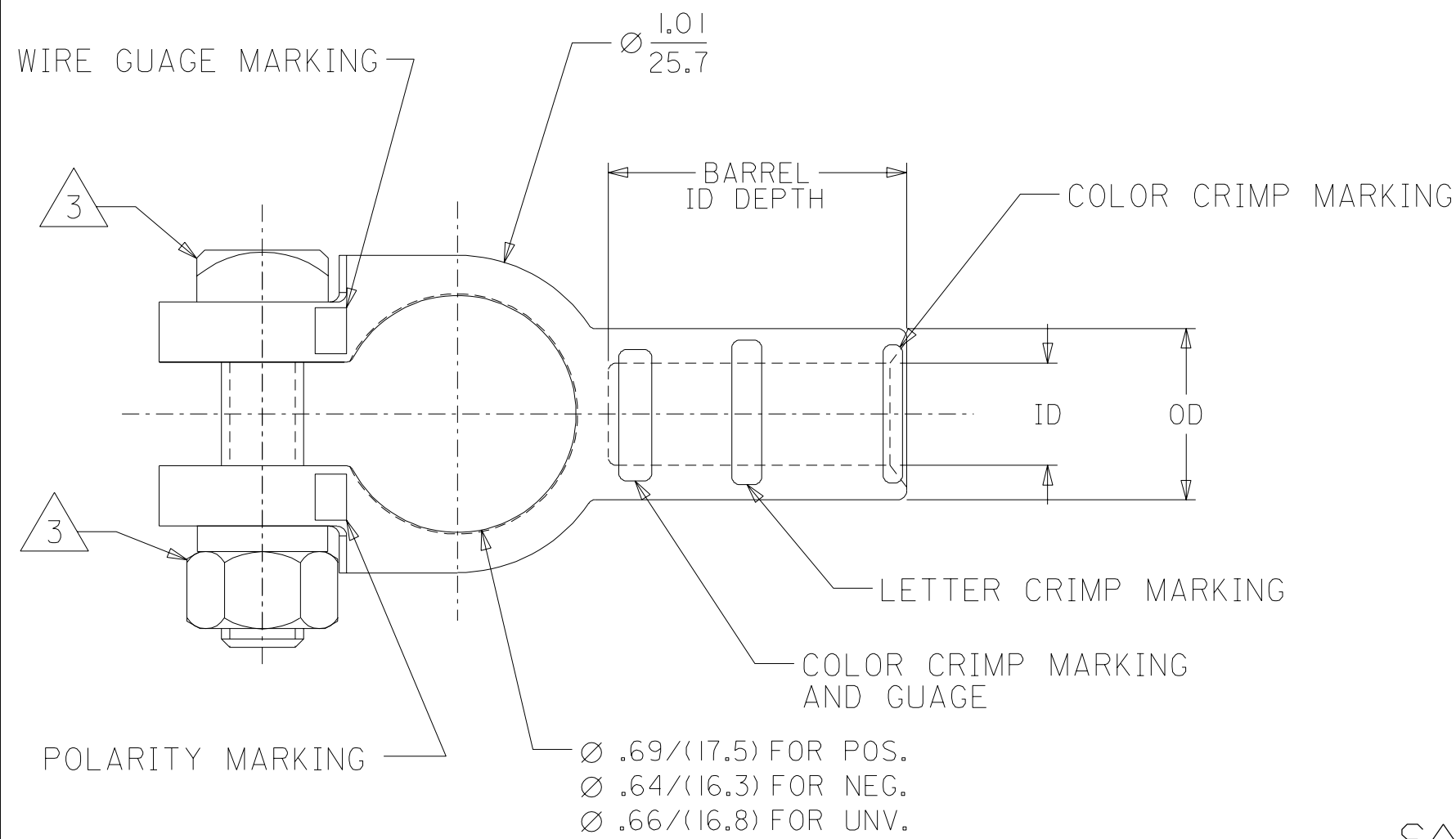
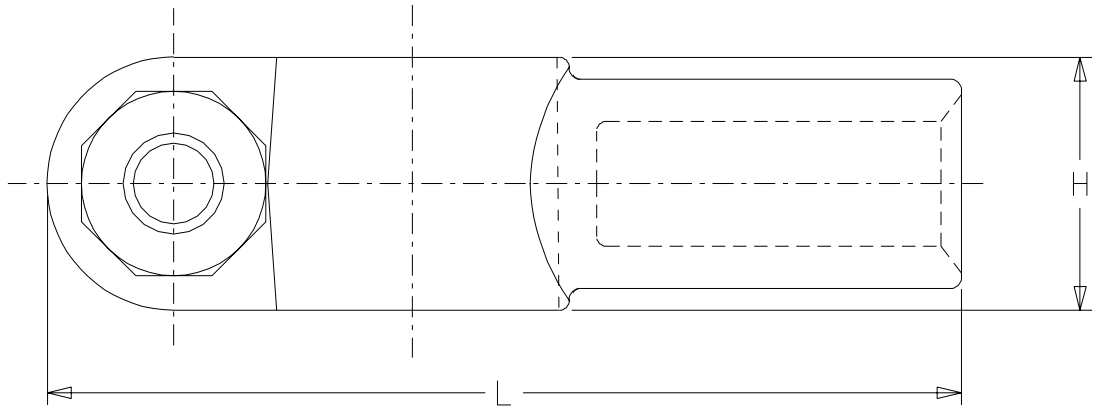


MATERIAL NUMBER			WIRE GAUGE MARKING	COLOR CRIMP MARKING	BARREL ID	BARREL OD	BARREL ID DEPTH	L +.060, -.010 (+1.52, -0.25)	H
NEGATIVE	POSITIVE	UNIVERSAL							
192180021	192180022	192180023	8	GREY	.16/(4.1)	.45/(11.4)	Ⓣ.94/(23.9)	Ⓣ2.36/(60.0)	.53/(13.5)
192180018	192180019	192180020	6	GREY	.22/(5.6)	.45/(11.4)	.97/(24.6)	2.38/(60.5)	.53/(13.5)
192180015	192180016	192180017	4	GREY	.26/(6.6)	.45/(11.4)	.97/(24.6)	2.38/(60.5)	.53/(13.5)
192180012	192180013	192180014	2	GREEN	.34/(8.6)	.55/(14.0)	.94/(23.9)	Ⓣ2.42/(61.5)	.65/(16.5)
192180009	192180010	192180011	1	PINK	.39/(9.9)	.55/(14.0)	.94/(23.9)	Ⓣ2.42/(61.5)	.65/(16.5)
192180024	192180025	-	1/0	BLACK	.47/(11.9)	.65/(16.5)	.94/(23.9)	Ⓣ2.42/(61.5)	.65/(16.5)
192180026	192180027	-	2/0	ORANGE	.50/(12.7)	.65/(16.5)	.94/(23.9)	Ⓣ2.42/(61.5)	.65/(16.5)
192180028	192180029	-	3/0	PURPLE	.53/(13.5)	.65/(16.5)	.94/(23.9)	Ⓣ2.42/(61.5)	.65/(16.5)
192180030	192180031	-	4/0	YELLOW	.60/(15.2)	.83/(21.1)	.94/(23.9)	Ⓣ2.35/(59.7)	.71/(18.0)
192180032	192180092	-	6/0	YELLOW	.67/(17.0)	.83/(21.1)	Ⓣ.94/(23.9)	Ⓣ2.35/(59.7)	.71/(18.0)



- NOTES:
- MATERIAL: DIE CAST COPPER
  - FINISH: TIN PLATED
  - INCLUDES 5/16 BOLT AND SHOULDER NUT. BOLT AND NUT ARE REVERSABLE

SALES DRAWING



REVISED DESIGN	EC NO. ETC2003-0284	DRWN: BRE 02/05/20	CHK: HEB 02/05/20	APPR: RWD 02/05/20
D	REV	DESCRIPTION	QUALITY SYMBOLS	MAJOR = 0
			CRITICAL = 0	

GENERAL TOLERANCES: (UNLESS SPECIFIED)		SCALE 4:1	DESIGN UNITS	THIRD ANGLE PROJECTION
4 PLACES	±0.	mm	mm	INCH
3 PLACES	±0.	INCH	INCH	mm ONLY
2 PLACES	±0.38			
1 PLACE	±0.76			
ANGULAR: ±1/2°		DRAWN BY & DATE DAY 99/03/10		
DRAFT WHERE APPLICABLE MUST REMAIN WITHIN DIMENSIONS		CHECKED BY & DATE RWD 99/03/10		
		APPROVED BY & DATE RWD 99/03/10		
		CAD FILENAME SD-19218-003 .DGN		

TITLE: DIE CAST COPPER BATTERY TERMINAL TOP POST	
MOLEX INCORPORATED	
MATERIAL NO. SEE CHART	DRAWING NO. SD-19218-003
SHEET NO. 1 OF 1	

DIMENSIONS: mm INCH mm ONLY		SHT	REV
REVISIONS		REVISE ON CAD ONLY	
THIS DRAWING CONTAINS INFORMATION THAT IS PROPRIETARY TO MOLEX INCORPORATED AND SHOULD NOT BE USED WITHOUT WRITTEN PERMISSION.			
SIZE B			