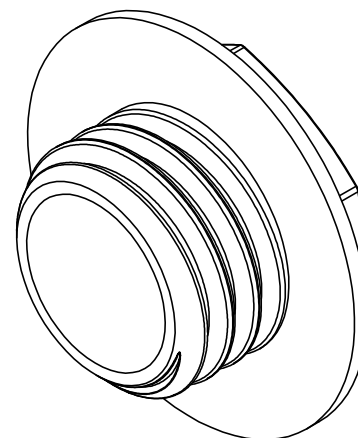
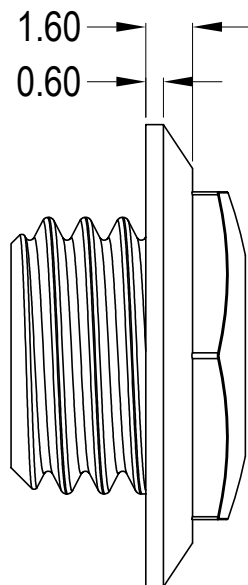
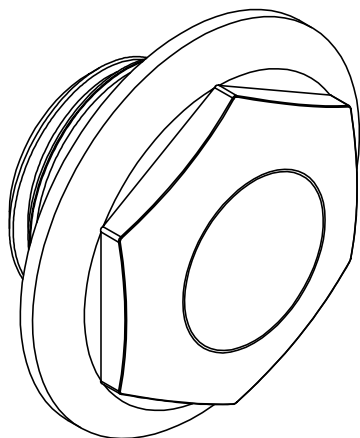
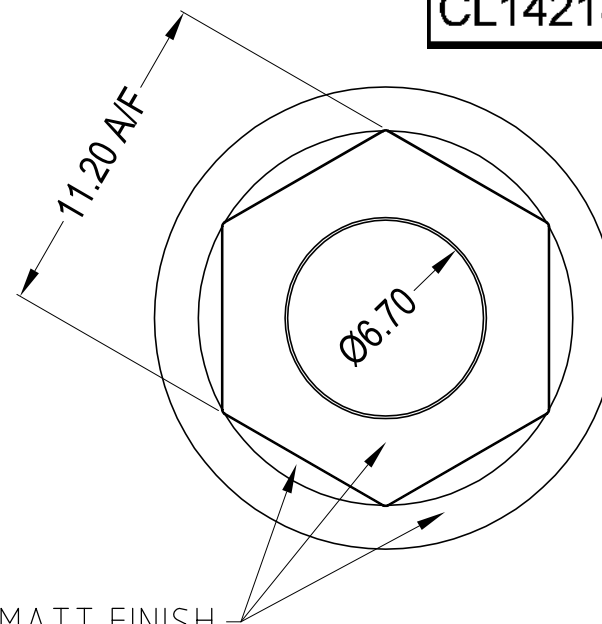
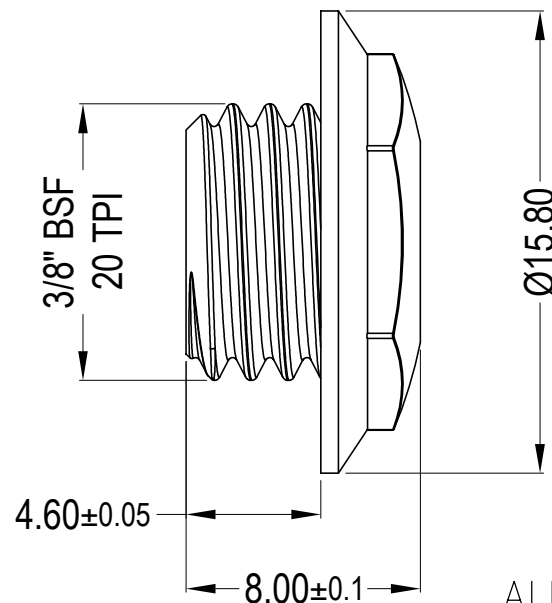
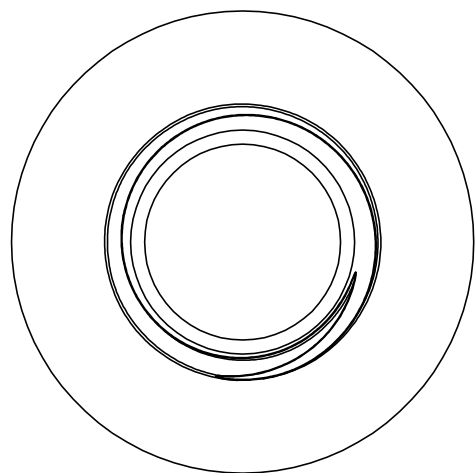


ISS.	AMEND	DATE
1	1st DRAWN	02/05/91
2	VARIANTS	16/12/15
3	UPDTAED	05/04/17



PART No.	COLOUR
CL14218	BLACK
CL14218GY	GREY
CL14218R	RED



MATT FINISH
ALL FRONT FACES

RoHS ✓ COMPLIANT
TOLERANCE
NO DEC. PLACE ±
1 DEC. PLACE ±
2 DEC. PLACE ±
HOLE Ø ±
ANGLES ±
UNLESS OTHERWISE STATED
DO NOT SCALE

Cliff Electronic Components Ltd.

76 Holmethorpe Avenue, Holmethorpe Industrial Estate,
Redhill, Surrey, RH1 2PF, England, UK
Tel: 01737-771375 Fax: 01737-766012 Website: www.cliffuk.co.uk

DIMENSIONS IN MILLIMETERS UNLESS OTHERWISE STATED. WORK TO DIMENSIONS. REMOVE ALL BURRS. IF IN DOUBT ASK.

3rd ANGLE PROJECTION:

MATERIAL: ACETAL - SEE TABLE FOR COLOUR

TITLE: S4 COMBINED NUT / BEZEL

FINISH: MATT / AS MOULDED

DRAWN: C.A.M.J.

APPROVED: R.W.T.

DRWG. No. **CL14218**

FORM: A4DRWGH