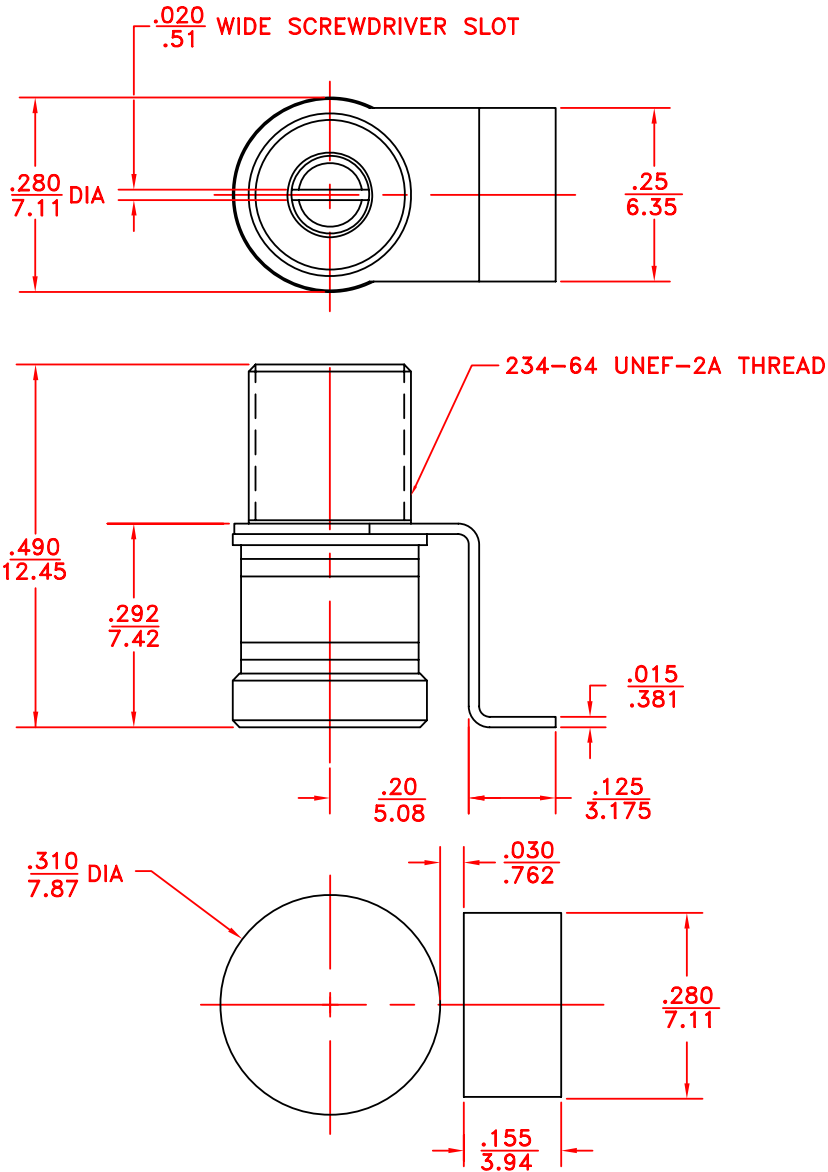


REV	DESCRIPTION	DATE	APP
00	NEW DRAWING	10/10/12	



**NOTES:**

1.  $C_{max} \geq 10$  pF
2.  $C_{min}$  below 1.0pF
3. Working voltage 1000 VDC
4. Withstanding voltage 2000 VDC
5.  $Q @ C_{max}$  and 100 MHZ over 2000
6. Operating temperature  $-65^{\circ}$  C to  $+125^{\circ}$  C
7. Torque .5 to 5.0 oz-in
8. Rotational life 10,000 turns
9. Dimensions: ( in/mm )
10. Construction: nonmagnetic

**SUGGESTED MOUNTING PAD LAYOUT**

<b>TOLERANCES:</b> (EXCEPT AS NOTED)		<b>SPRAGUE GOODMAN ELECTRONICS INC.</b> 1700 SHAMES DRIVE WESTBURY, NY 11590	
DECIMAL: $\pm 0.002$ in $\pm 0.051$ mm	MATERIAL:	SCALE: 4:1	DRAWN BY: R. LEVIN
FRACTIONAL: 1/64	TITLE: OUTLINE DWG SGNMA3T10009	APPROVED: D. DITLYA	
ANGULAR: 1°	DATE: 10/10/12	DRAWING NUMBER SGNMA3T10009	USED FOR: REV. 00