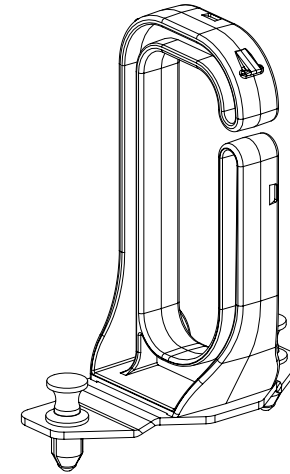
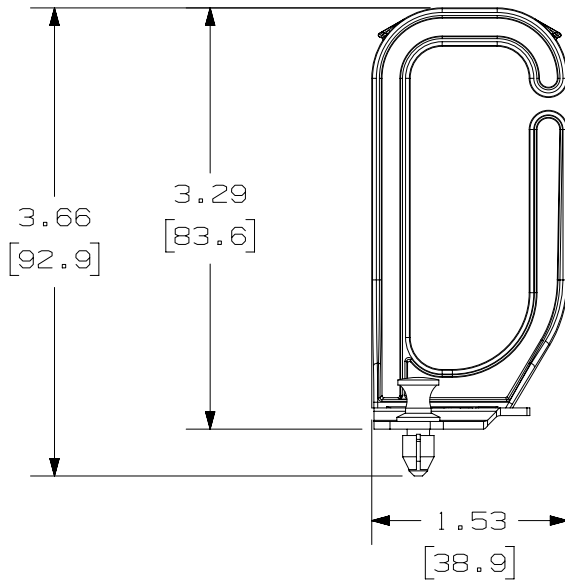
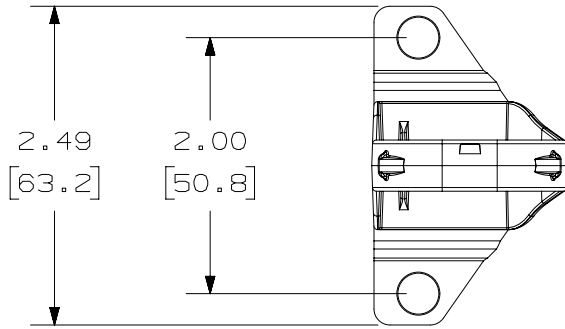
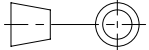


THIS COPY IS PROVIDED ON A RESTRICTED BASIS AND IS NOT TO BE USED IN ANY WAY DETRIMENTAL TO THE INTERESTS OF PANDUIT CORP.

NOTES:

1. VISIT OUR ON-LINE CATALOG AT [WWW.PANDUIT.COM](http://WWW.PANDUIT.COM) FOR A LIST OF CURRENT PARTS APPLICABLE FOR USE WITH THIS PRODUCT.
2. DIMENSIONS IN [ ] ARE METRIC.
3. WEIGHT: 0.06 LB/EACH PC (26.7 g/EACH PC)
4. PART INCLUDES:  
1- CABLE MANAGEMENT RING



PART NUMBER		CMBBCMR		
TITLE		CABLE MANAGEMENT RING		
		CUSTOMER DRAWING		
ITEM REVISION NAME		00101EBR/00		
DATASET FILE NAME		00101EBR_DC/00A		
		THIRD ANGLE PROJECTION		
MATERIAL		DRAWING NUMBER		
BRACKET-16 GA CRS, RING-POLYCARBONATE		00101EBR-DC		
REV	DATE	BY	CHK	APR
00A	03-21-18	BJN	BSN	JEFK
RELEASED TO PRODUCTION				
00101EBR-DC				
REV	DATE	BY	CHK	APR
BJN	03-21-18	BSN	NONE	
DESCRIPTION				ECN
SHEET 1 OF 1				A

A-SIZE CUSTOMER

2

1

2

1