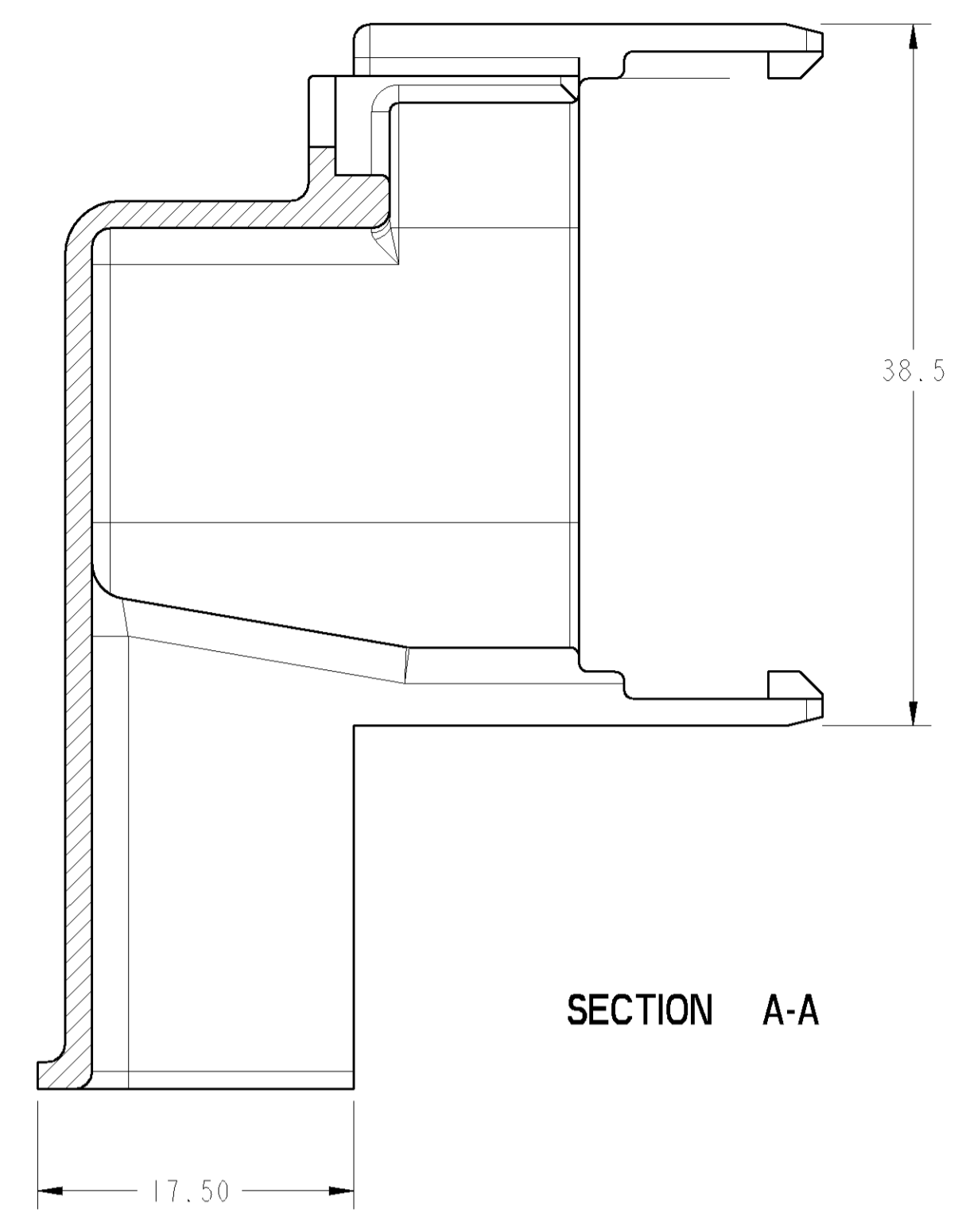
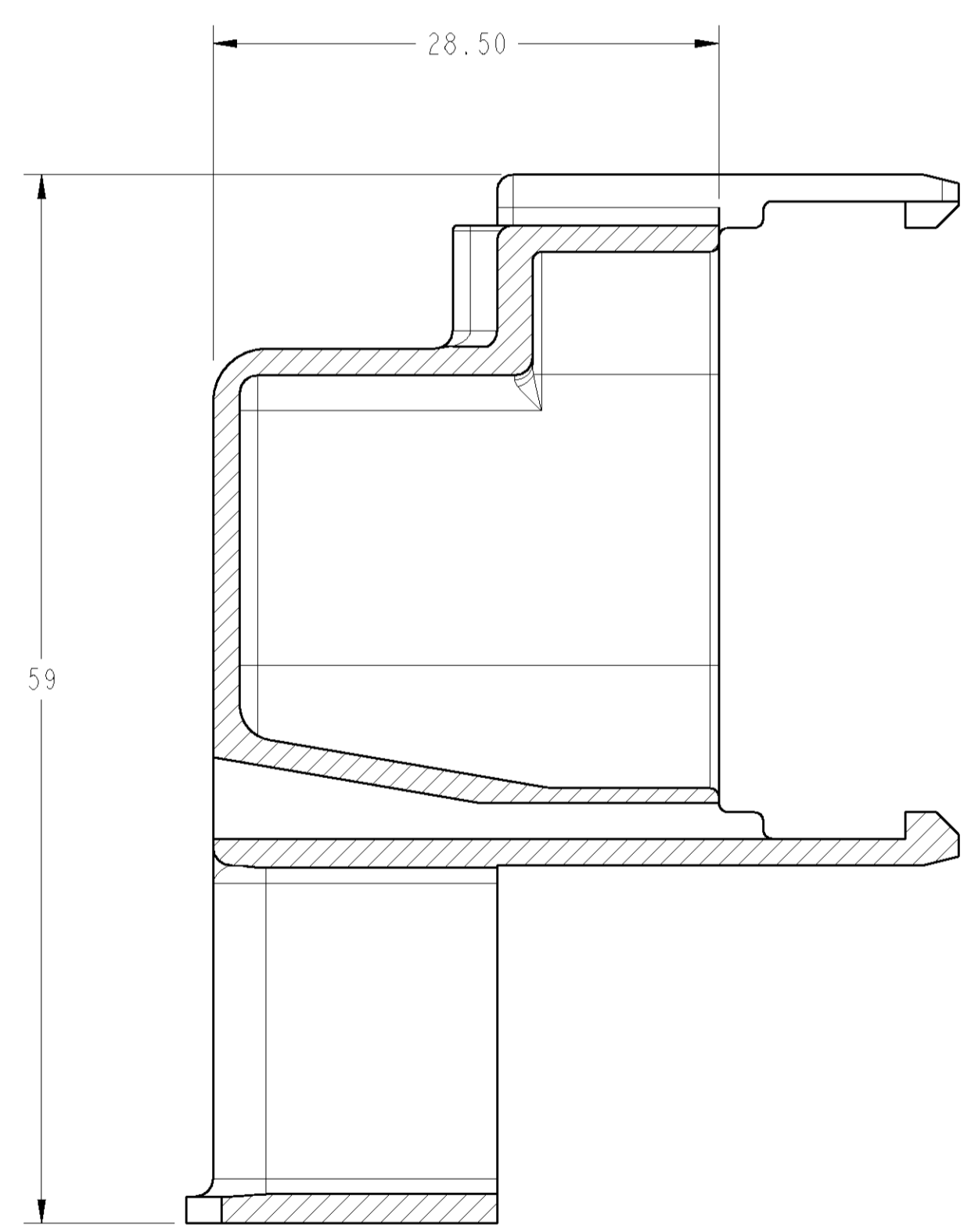
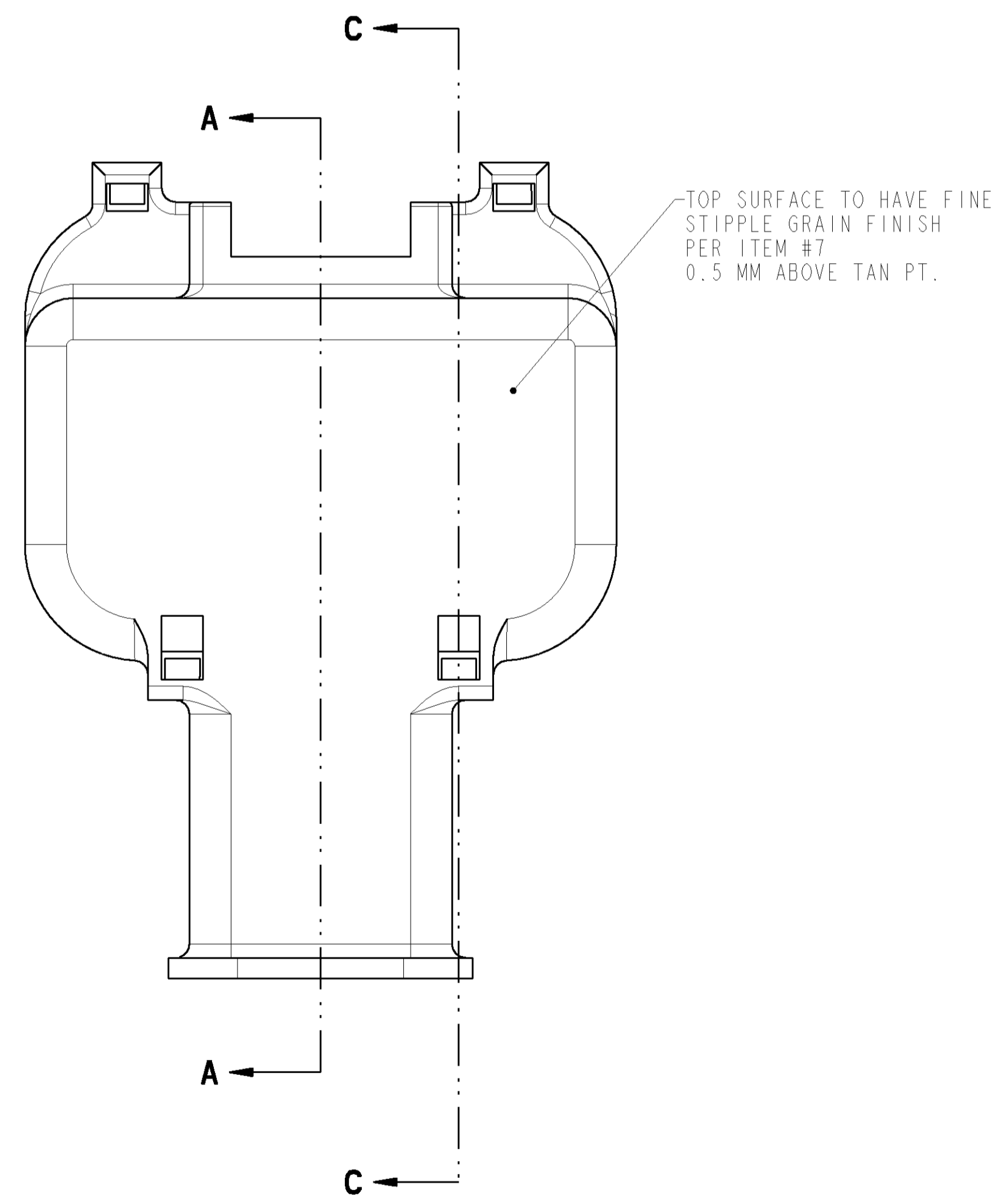
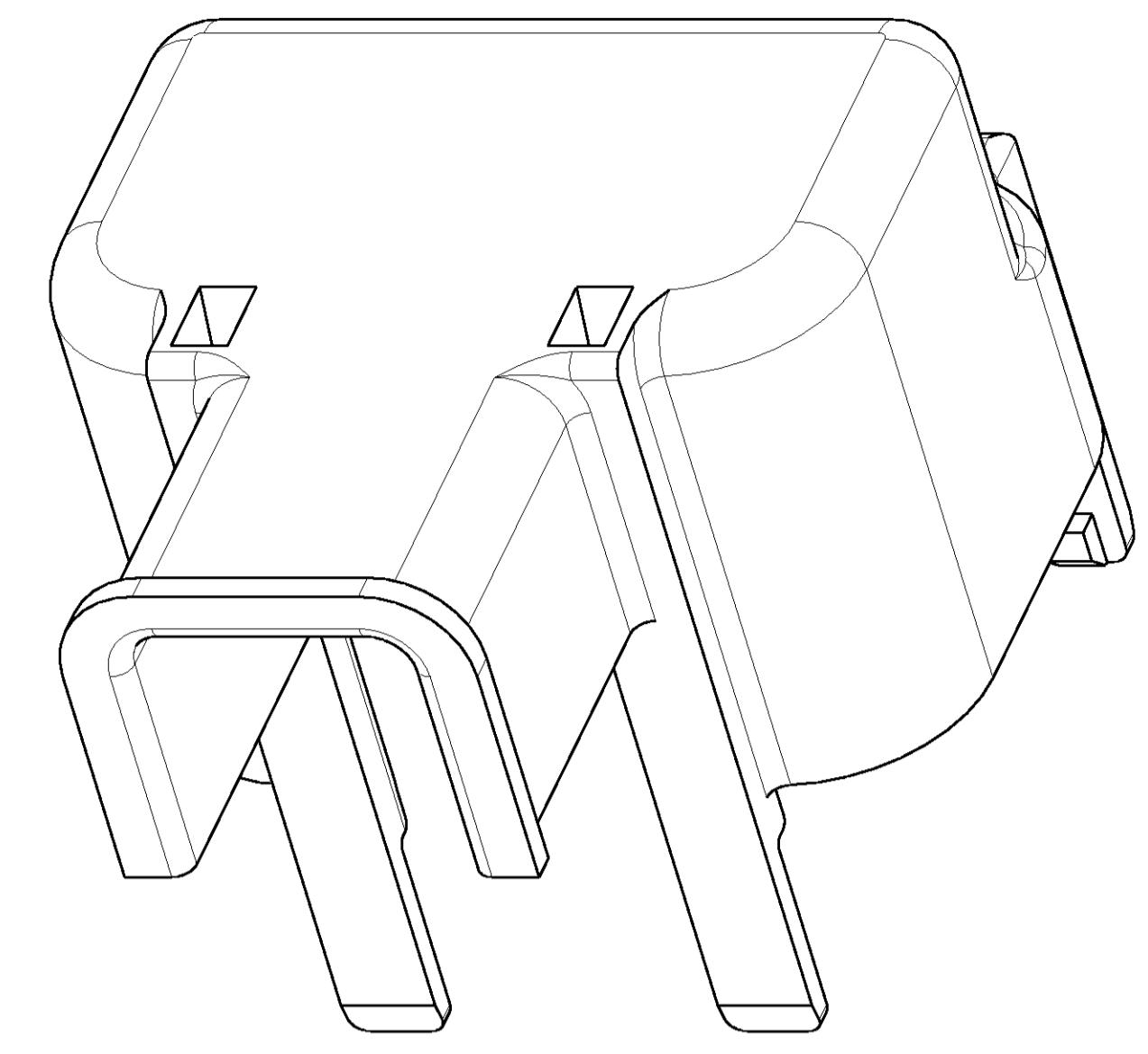
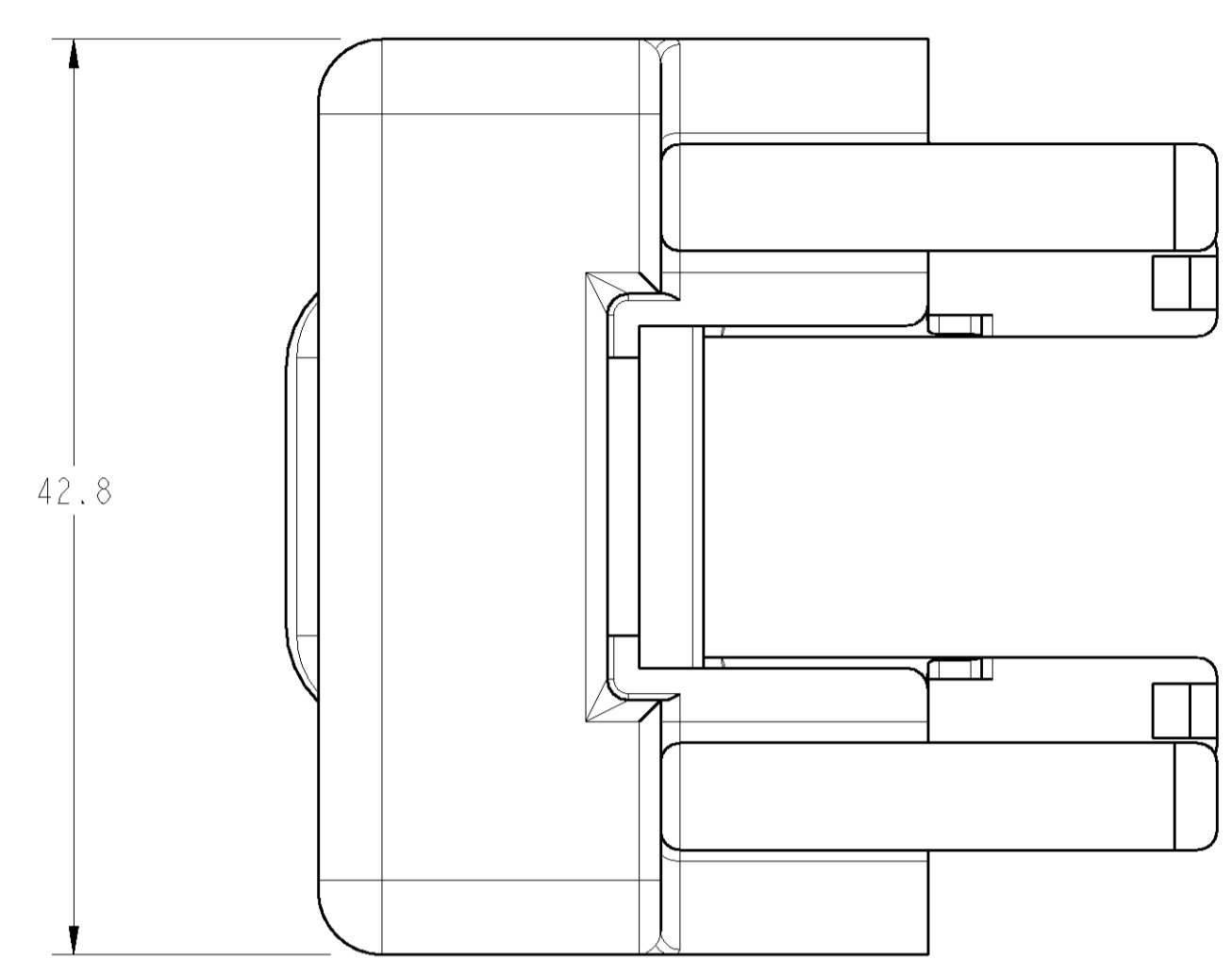


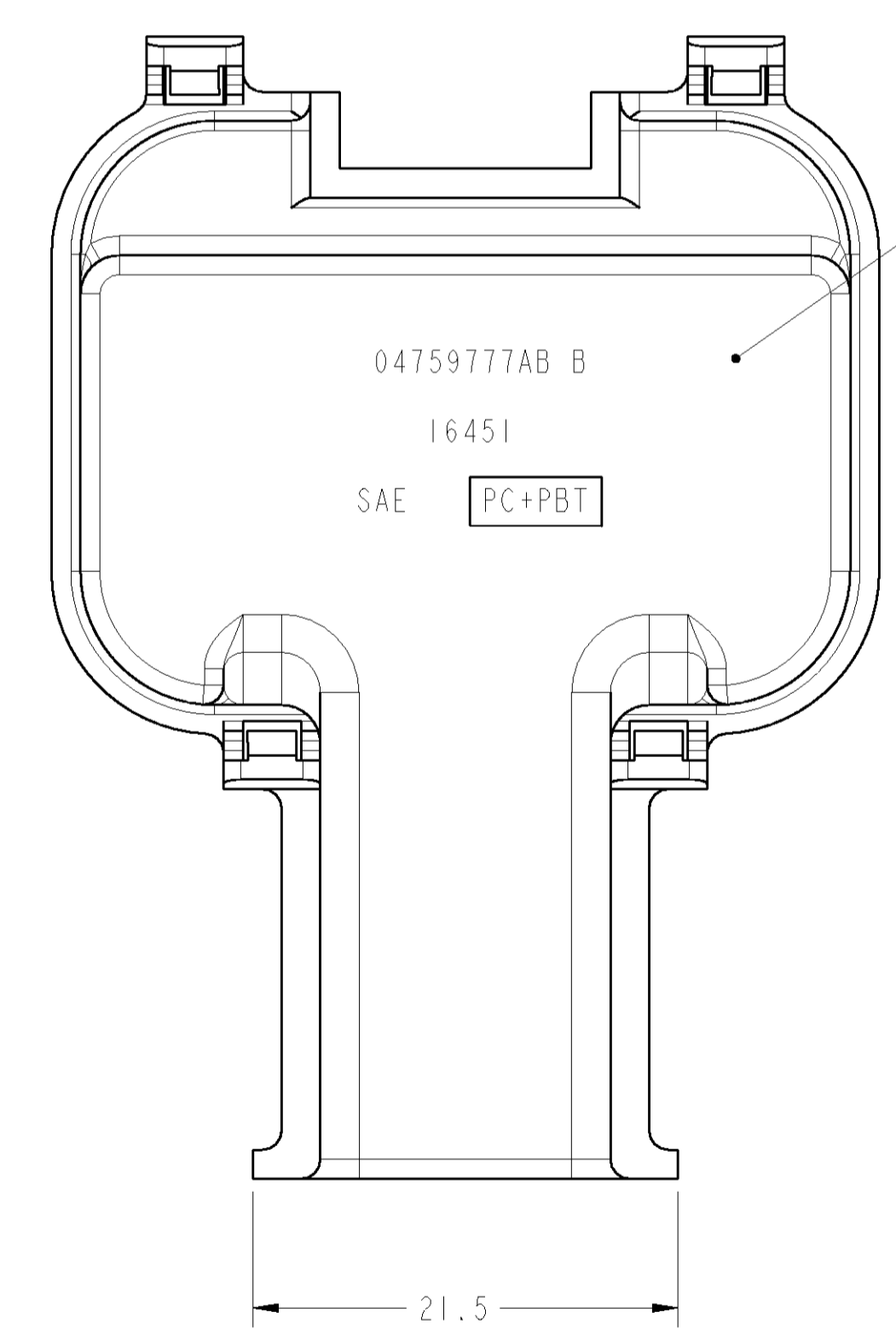
LOC		DIST		REVISIONS			
F	LTR	DESCRIPTION	DATE	DWN	APVD		
A		INITIAL RELEASE - EC 0065-03	27MAR2002	SAK	RMP		
B		REVISED PER EC 0K40-0008-04	09FEB2004	DLD	JLT		
C		REVISED PER EC 0K40-0326-04	14OCT2004	DLD	KLC		
C1		REVISED PER EC 0K40-0379-04	03NOV2004	DLD	KLC		



SECTION A-A



SECTION C-C



VENDOR ID, MOLD CAVITY NO. AND CUSTOMER PART NO. WITH CUSTOMER REV LEVEL PER ITEM 2  
 TOOLING NOTE: PART NO. WITH REV LEVEL MUST BE INSERTED

NOTES:

1. ALL DIMENSIONS TO SHARP CORNERS WITH A RADIUS ARE TAKEN FROM THEORETICAL SHARP CORNERS UNLESS EXPLICITLY SHOWN OTHERWISE.
2. MATERIAL: GE PLASTICS VALOX 508-BK1066.
3. TO BE USED WITH P/N 04759556AG, 04759557AG, 04759558AG, AND 04759559AG.
4. TYCO P/N 5-1437839-4. DAIMLER CHRYSLER P/N 04759777AB.

INFORMATION TO BE PRINTED ON INSIDE OF COVER			
TYCO PART NUMBER	5-1437839-4	CUSTOMER PART NUMBER	04759777AB
CUSTOMER REVISION LEVEL	B		

DIMENSIONS: mm 		TOLERANCES UNLESS OTHERWISE SPECIFIED: 0 PLC ±1.00 1 PLC ±0.50 2 PLC ±0.30 3 PLC ±0.10 4 PLC ±0.05 ANGLES ±0.05°		DWN S. KEENER 27MAR2002 CHK R. PETROSKIT 27MAR2002 APVD R. PETROSKIT 27MAR2002		<b>tyco</b> Tyco Electronics Harrisburg, PA 17105-3608	
MATERIAL: SEE NOTES FINISH: SEE NOTES		PRODUCT SPEC: APPLICATION SPEC: WEIGHT: CUSTOMER DRAWING		NAME: COVER DRESS NGC (RT ANGLE) NGC HEADER CONNECTION		SIZE: A CAGE CODE: 00779 DRAWING NO: 5-1437839-4 SCALE: 3 SHEET: 1 OF 1 REV: C1	