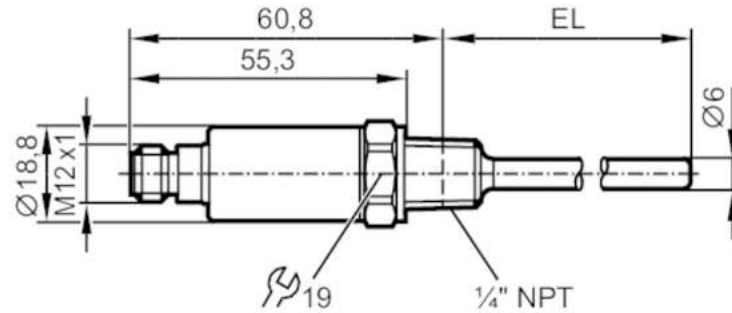


TA3313



Temperature transmitter

TA-050FLEN14-A-ZVG/US



Product characteristics

| | | |
|------------------------------|-------------------------------|------------|
| Number of inputs and outputs | Number of analogue outputs: 1 | |
| Measuring range | -18...149 °C | 0...300 °F |
| Process connection | threaded connection 1/4" NPT | |
| Installation length EL [mm] | 50 | |

Application

| | | |
|-----------------------|---|--|
| Special feature | Gold-plated contacts | |
| Measuring element | 1 x Pt 1000; (to DIN EN 60751, class A) | |
| Media | liquids and gases | |
| Pressure rating [bar] | 400 | |

Electrical data

| | | |
|-----------------------------|---|--|
| Operating voltage [V] | 10...30 DC; ("supply class 2" to cULus) | |
| Current consumption [mA] | < 30 | |
| Protection class | III | |
| Reverse polarity protection | yes | |

Inputs / outputs

| | | |
|------------------------------|-------------------------------|--|
| Number of inputs and outputs | Number of analogue outputs: 1 | |
|------------------------------|-------------------------------|--|

Outputs

| | | |
|------------------------------|---|--|
| Total number of outputs | 1 | |
| Output signal | analogue signal | |
| Number of analogue outputs | 1 | |
| Analogue current output [mA] | 4...20 | |
| Max. load [Ω] | (U _b - 8,5 V) / 21,5 mA; 24 V: 720 Ω | |
| Short-circuit protection | yes | |
| Overload protection | yes | |

Measuring/setting range

| | | |
|-----------------|--------------|------------|
| Measuring range | -18...149 °C | 0...300 °F |
|-----------------|--------------|------------|

Resolution


| | | |
|-----------------------------------|------|--|
| Resolution of analogue output [K] | 0.04 | |
|-----------------------------------|------|--|

TA3313



Temperature transmitter

TA-050FLEN14-A-ZVG/US

| Accuracy / deviations | | |
|---|-------------------|---|
| Precision analogue output [K] | | $\pm 0,3 + (\pm 0,1 \% MS)$ |
| Temperature coefficient [% of the span / 10 K] | | 0,1; (in case of deviation from the reference condition $25 \pm 5 \text{ }^\circ\text{C}$) |
| Response times | | |
| Dynamic response T05 / T09 [s] | | 1 / 3; (to DIN EN 60751) |
| Operating conditions | | |
| Ambient temperature [°C] | | -40...100 |
| Storage temperature [°C] | | -40...100 |
| Protection | | IP 68; IP 69K |
| Tests / approvals | | |
| EMC | DIN EN 61000-6-2 | |
| | DIN EN 61000-6-3 | |
| Shock resistance | DIN EN 60068-2-27 | 50 g (11 ms) |
| Vibration resistance | DIN EN 60068-2-6 | 20 g (10...2000 Hz) |
| MTTF [years] | | 1092 |
| UL approval | UL Approval no. | K005 |
| Mechanical data | | |
| Weight [g] | | 97.5 |
| Dimensions [mm] | | $\varnothing 18.8$ |
| Materials | | stainless steel (1.4404 / 316L); PEI; FKM |
| Materials (wetted parts) | | stainless steel (1.4404 / 316L) |
| Process connection | | threaded connection 1/4" NPT |
| Probe diameter [mm] | | 6 |
| Installation length EL [mm] | | 50 |
| Remarks | | |
| Remarks | | The values for accuracy apply to flowing water. referring to UL: for use on a low voltage circuit with overcurrent protection in accordance with UL873 tab. 28.1 or $I_{max} = 100/U_b$ (U_b = voltage of the circuit) |
| Pack quantity | | 1 pcs. |
| Electrical connection | | |
| Connector: 1 x M12; coding: A; Contacts: gold-plated | | |
|  | | |



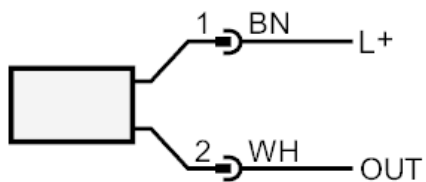
TA3313



Temperature transmitter

TA-050FLEN14-A-ZVG/US

Connection



OUT: analogue output
colours to DIN EN 60947-5-2