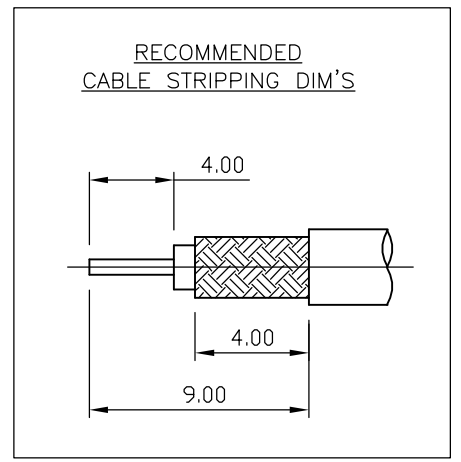
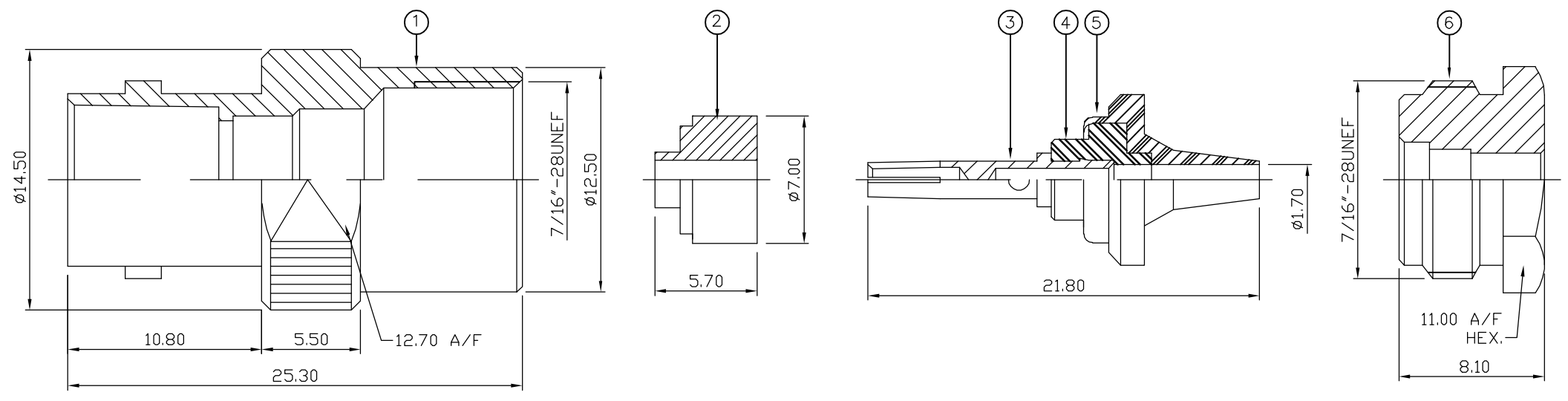


THIS DRAWING IS UNPUBLISHED. RELEASED FOR PUBLICATION JUNE ,2006.  
 © COPYRIGHT 2006 BY TYCO ELECTRONICS CORPORATION. ALL RIGHTS RESERVED.

LOC	DIST	REVISIONS					
E	B	P	LTR	DESCRIPTION	DATE	DWN	APVD
		B		ECR-06-015596	30JUN06	JMS	FWK

- NOTES:**
- ① SINGLE PACK IN ACCORDANCE WITH AMP SPEC 107-3275
  - ② 100 TRAY PACK IN ACCORDANCE WITH AMP SPEC 107-3275
  - ③ Ag PLATING
- 4 ELECTRICAL CHARACTERISTICS
- |                               |                            |
|-------------------------------|----------------------------|
| FREQUENCY RANGE:              | DC - 2 GHz                 |
| NOMINAL IMPEDANCE:            | 75 Ohm                     |
| INSULATION RESISTANCE:        | 5000 MOhm                  |
| WORKING VOLTAGE:              | 500 Volts RMS at Sea Level |
| DIELECTRIC WITHSTAND VOLTAGE: | 1500 Volts RMS Max         |
| CONTACT RESISTANCE:           |                            |
| CENTRE CONTACT:               | 1.50 mOhm Max              |
| OUTER CONTACT:                | 0.20 mOhm Max              |
| VSWR @ 2GHz:                  | 1.20:1 Max                 |
| INSERTION LOSS dB @ x 2 GHz:  | 0.20 Max                   |
- 5 MECHANICAL CHARACTERISTICS
- |                               |                |
|-------------------------------|----------------|
| COUPLING RETENTION FORCE:     | N/A            |
| CABLE RETENTION FORCE:        | 85N Min        |
| CLAMP NUT RECOMMENDED TORQUE: | 4N             |
| DURABILITY:                   | 500 Cycles Min |
- 6 ENVIRONMENTAL CHARACTERISTICS
- |                        |                  |
|------------------------|------------------|
| OPERATING TEMPERATURE: | -65 to +165 DegC |
|------------------------|------------------|
- 7 FOR TECHNICAL DATA REFER TO YOUR LOCAL TYCO ELECTRONICS SALES OFFICE
- 8 ALL DIMENSIONS ARE NOMINAL FOR REFERENCE ONLY UNLESS OTHERWISE STATED



QTY	QTY PER ASSY	MATERIAL	DESCRIPTION	ITEM
1	1	BRASS	CLAMP NUT	6
1	1	BRASS	SLEEVE	5
1	1	PTFE	INSULATION	4
1	1	BRASS	CONTACT	3
1	1	PTFE	INSULATION	2
1	1	BRASS	BODY	1
6--0	1--0	MATERIAL	DESCRIPTION	ITEM

THIS DRAWING IS A CONTROLLED DOCUMENT.		DWN J.SANDWELL 30JUN06	Tyco Electronics Corporation Bideford EX39 4HE	
DIMENSIONS: mm		CHK S.PARLOW 30JUN06		
TOLERANCES UNLESS OTHERWISE SPECIFIED:		APVD F.WHEELER-KING 30JUN06	NAME BNC STRAIGHT WEDGE CLAMP JACK 75 OHM RG179B/U, 187A/U, URM111	
0 PLC ± -		PRODUCT SPEC -	SIZE A3	
1 PLC ± -		APPLICATION SPEC -	CAGE CODE 00779	DRAWING NO C-1478115
2 PLC ± -		WEIGHT -	RESTRICTED TO -	
3 PLC ± -		MATERIAL SEE TABLE	SCALE NTS	
4 PLC ± -			SHEET 1 OF 1	
ANGLES ± -		CUSTOMER DRAWING		REV B
FINISH -		REV B		