



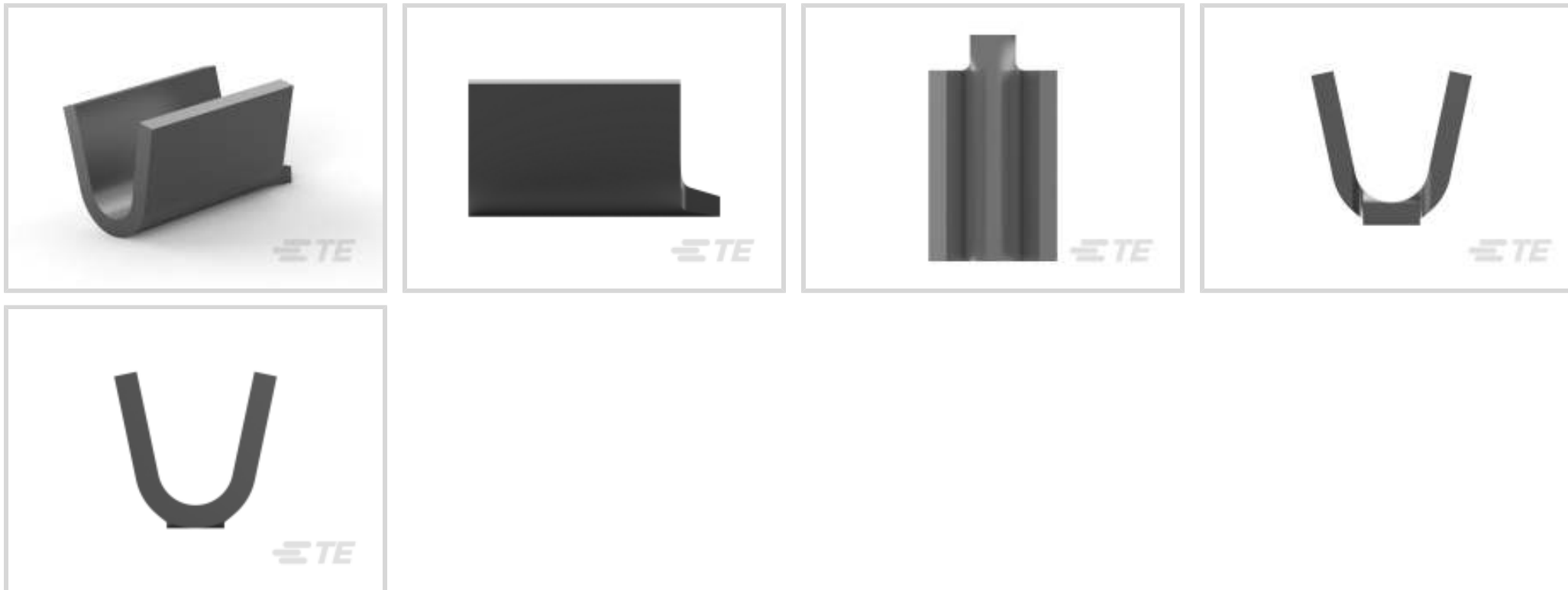
AMPLIVAR

TE Internal #: 170152-4

Splices, Pigtail Splice / Thru Splice, 22 – 15 AWG Wire Size, .3 – 1.5 mm² Wire Size, Splice Capacity 3, Serrated, 600 – 3000 CMA Wire Size, AMPLIVAR

[View on TE.com >](#)

Terminals & Splices > Splices



Wire Size: .3 – 1.5 mm²

Sealable: **No**

Splice Capacity: **3**

Splice Features: **Serrated**

Features

Product Type Features

Sealable	No
Splice Type	Pigtail Splice, Thru Splice
Compatible With Discrete Wire Type	Magnet Wire, Solid

Configuration Features

Strip Orientation	End Feed
Splice Capacity	3
Number of Serrations	5

Electrical Characteristics

Operating Voltage	250 V
-------------------	-------

Body Features

Product Weight	.181 g
Splice Features	Serrated

Contact Features

Terminal Plating Material	Tin
---------------------------	-----



Contact Base Material	Brass
-----------------------	-------

Barrel Type	Open
-------------	------

Mechanical Attachment

Wire Insulation Support	Without
-------------------------	---------

Dimensions

Wire Size	600 – 3000 CMA
-----------	----------------

Terminal Material Thickness	.51 mm[.02 in]
-----------------------------	----------------

Product Length	5.31 mm[.209 in]
----------------	------------------

Usage Conditions

Insulation Option	Uninsulated
-------------------	-------------

Operating Temperature Range	-65 – 150 °C[-85 – 302 °F]
-----------------------------	----------------------------

Operation/Application

Compatible With Wire Base Material	Aluminum, Copper
------------------------------------	------------------

Industry Standards

Government Qualified Splice	No
-----------------------------	----

Packaging Features

Packaging Quantity	20000
--------------------	-------

Packaging Method	Strip
------------------	-------

Other

Terminals & Splices Comment	These items are recommended for connections involving #26 AWG wire size or smaller.
-----------------------------	---

Product Compliance

[For compliance documentation, visit the product page on TE.com>](#)

EU RoHS Directive 2011/65/EU	Compliant
------------------------------	-----------

EU ELV Directive 2000/53/EC	Compliant
-----------------------------	-----------

China RoHS 2 Directive MIIT Order No 32, 2016	No Restricted Materials Above Threshold
---	---

EU REACH Regulation (EC) No. 1907/2006	Current ECHA Candidate List: JUNE 2023 (235) Candidate List Declared Against: JUNE 2023 (235) Does not contain REACH SVHC
--	---

Halogen Content	Low Halogen - Br, Cl, F, I < 900 ppm per
-----------------	--

homogenous material. Also BFR/CFR/PVC Free













Solder Process Capability

Not applicable for solder process capability

Product Compliance Disclaimer

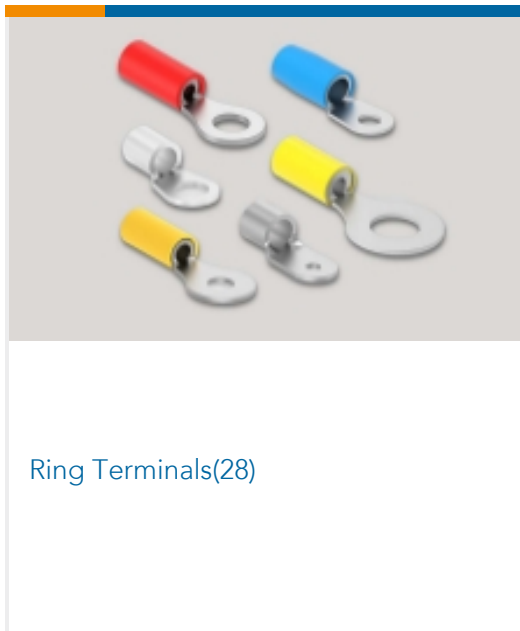
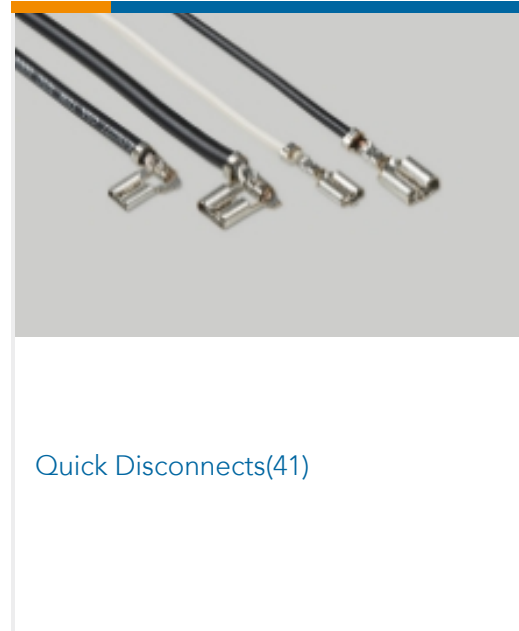
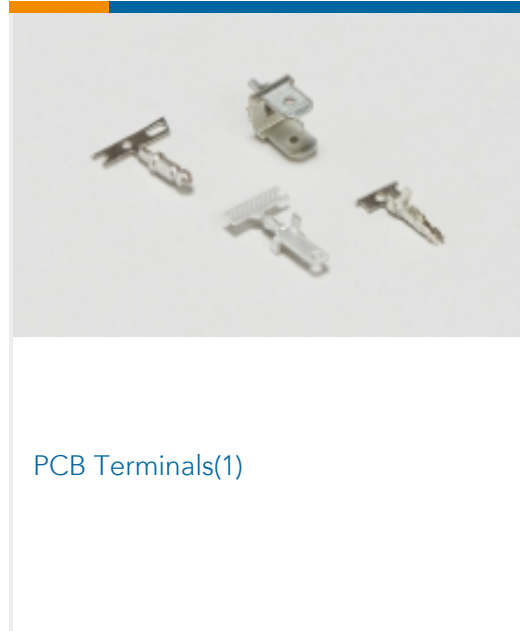
This information is provided based on reasonable inquiry of our suppliers and represents our current actual knowledge based on the information they provided. This information is subject to change. The part numbers that TE has identified as EU RoHS compliant have a maximum concentration of 0.1% by weight in homogenous materials for lead, hexavalent chromium, mercury, PBB, PBDE, DBP, BBP, DEHP, DIBP, and 0.01% for cadmium, or qualify for an exemption to these limits as defined in the Annexes of Directive 2011/65/EU (RoHS2). Finished electrical and electronic equipment products will be CE marked as required by Directive 2011/65/EU. Components may not be CE marked. Additionally, the part numbers that TE has identified as EU ELV compliant have a maximum concentration of 0.1% by weight in homogenous materials for lead, hexavalent chromium, and mercury, and 0.01% for cadmium, or qualify for an exemption to these limits as defined in the Annexes of Directive 2000/53/EC (ELV). Regarding the REACH Regulation, the information TE provides on SVHC in articles for this part number is based on the latest European Chemicals Agency (ECHA) 'Guidance on requirements for substances in articles' posted at this URL: <https://echa.europa.eu/guidance-documents/guidance-on-reach>

Compatible Parts

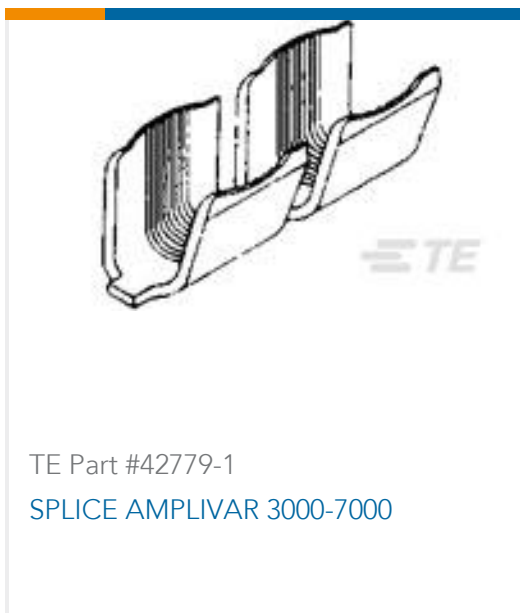
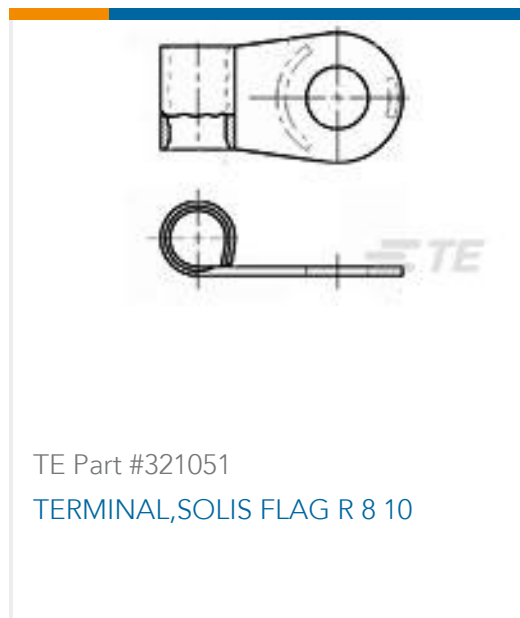
 <p>TE Part # 42778-2 SPLICE AMPLIVAR 600-3000 CMA</p>	 <p>TE Part # 62157-2 SPLICE AMVAR600TO3000 .020TPBR</p>	 <p>TE Part # 62000-2 SPLICE AMVAR 600-3000 020TPBR</p>	 <p>TE Part # 280007-2 AMPLIVAR SPLICE TIN PLATED</p>
 <p>TE Part # 1217384-1 AMVAR SPL 600-3000 7 SERR TPBR</p>	 <p>TE Part # 62304-2 AMVAR SPLC 600-3000 020TPBR</p>	 <p>TE Part # 62200-2 SPLC AMVAR 600-3000 020TPBR</p>	 <p>TE Part # 63621-2 SPLICE S-MINI/AMVAR 0098TPCUBR</p>
 <p>TE Part # 62194-5 MIN AMPLIVAR SPLICE 016 TPBR</p>	 <p>TE Part # 5677564008 RNF-3000-3/1-0-SP</p>	 <p>TE Part # 170152-3 AMP SPLICE</p>	 <p>TE Part # 170152-2 AMPLIVAR SPLICE STR</p>

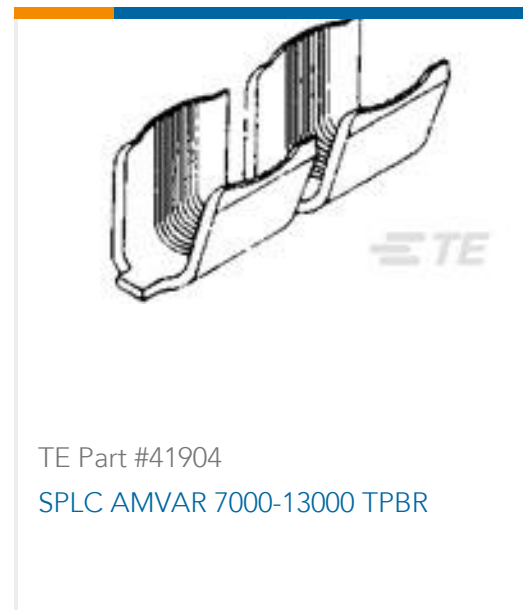


Also in the Series | **AMPLIVAR**



Customers Also Bought





Documents

Product Drawings

AMP SPLICE

Japanese

CAD Files

3D PDF

3D

Customer View Model

[ENG_CVM_CVM_170152-4_C_c-170152-4-c.2d_dxf.zip](#)

English

Customer View Model

[ENG_CVM_CVM_170152-4_C_c-170152-4-c.3d_igs.zip](#)

English

Customer View Model

[ENG_CVM_CVM_170152-4_C_c-170152-4-c.3d_stp.zip](#)

English

By downloading the CAD file I accept and agree to the [Terms and Conditions](#) of use.

Datasheets & Catalog Pages

Magnet Wire Terminals & Splices

English

Product Specifications

No title

Japanese

Application Specification

Japanese

No title

English

Application Specification

English

Product Environmental Compliance

Product Compliance

English

Product Compliance



English