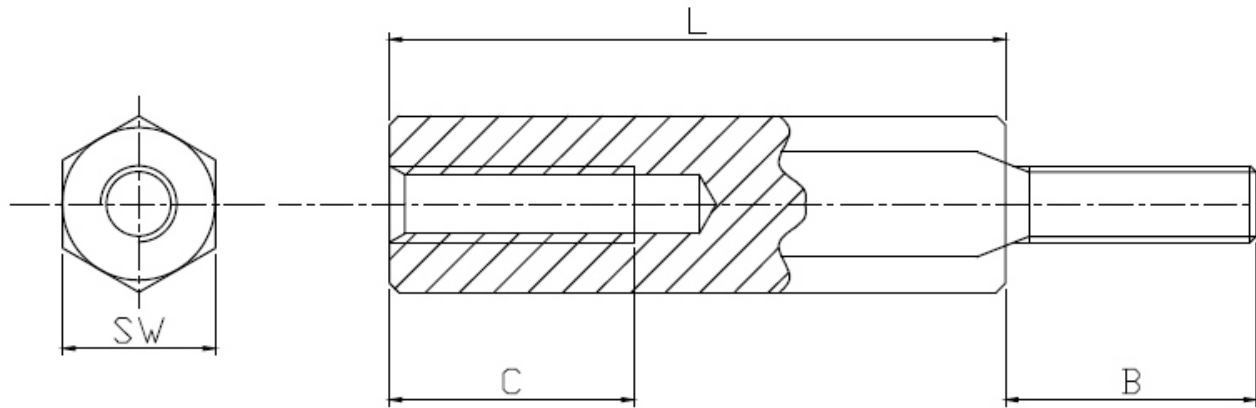


RoHS compliant


General Tolerances to DIN ISO 2768

Permissible deviations in mm for ranges in nominal lengths	Tolerance class designation (description)
	m (medium)
0.5 up to 3	±0.1
over 3 up to 6	±0.1
over 6 up to 30	±0.2



Width across flat(SW)5
Thread M2.5
nickel plated

Option	Dimensions		
	L	B	C min
A	5	6	2.5
B	8	6	5
C	10	6	6
D	12	6	6
E	15	6	6
F	18	6	6
G	20	6	6
H	25	6	6
K	30	6	6

Scale	1:1					Date	Name	Customer-No.
TOLERANCE						Drawn	20.08.2009	Dean
X.	±X					Approved	20.08.2009	Andy
X.X	±X							
X.XX	±X							
DIM	TOL	②	Add tolerance	09.10.2018	F.Lübke			
X.°	±X°	①	Drawn	20.08.2009	Dean			
X.X°	±X°					Drawing-No.		ASS 0493 HS
Angle	TOL	Id.	Modification	Date	Name	Replace		rev02
								Sheet

Customer-No.	
ASSMANN WSW-No. V6622x	
Drawing-No. ASS 0493 HS	
Replace	Sheet