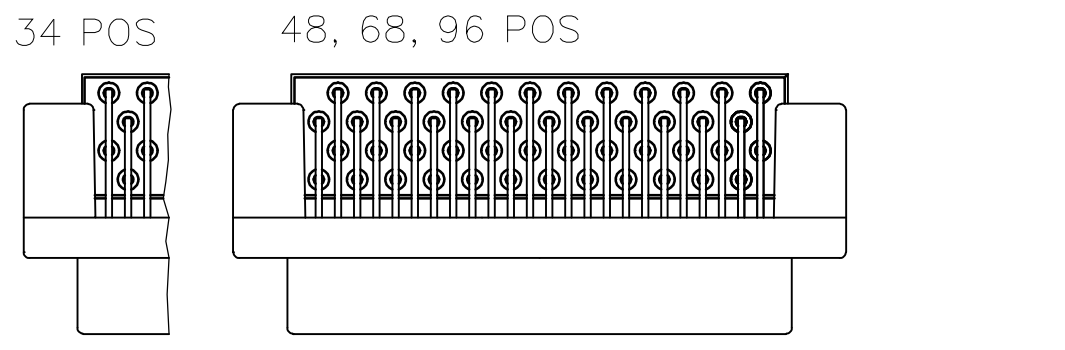
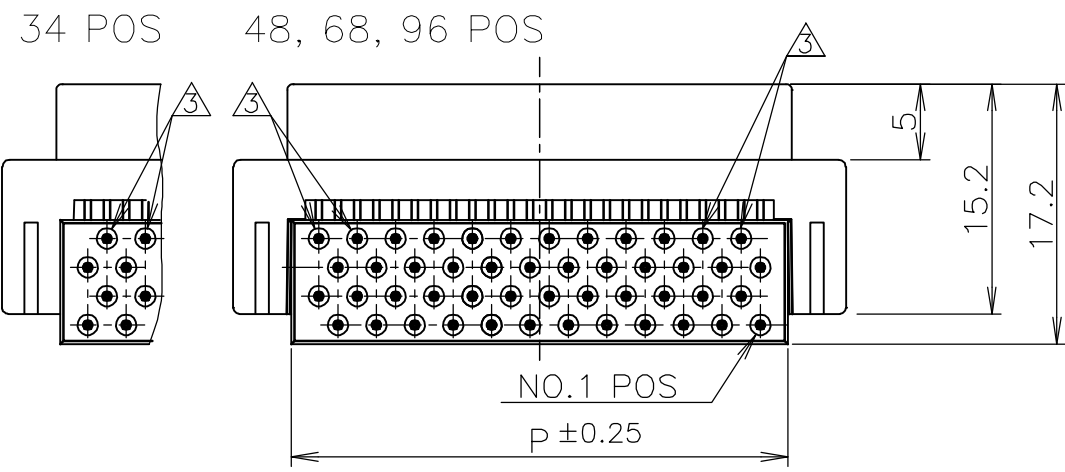
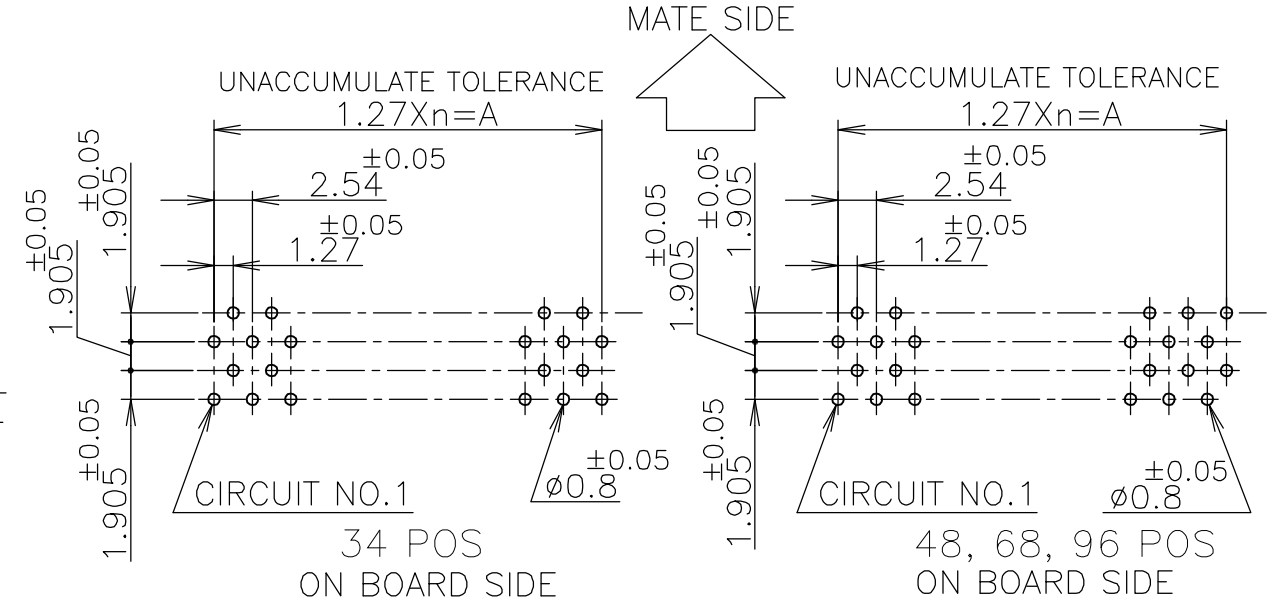
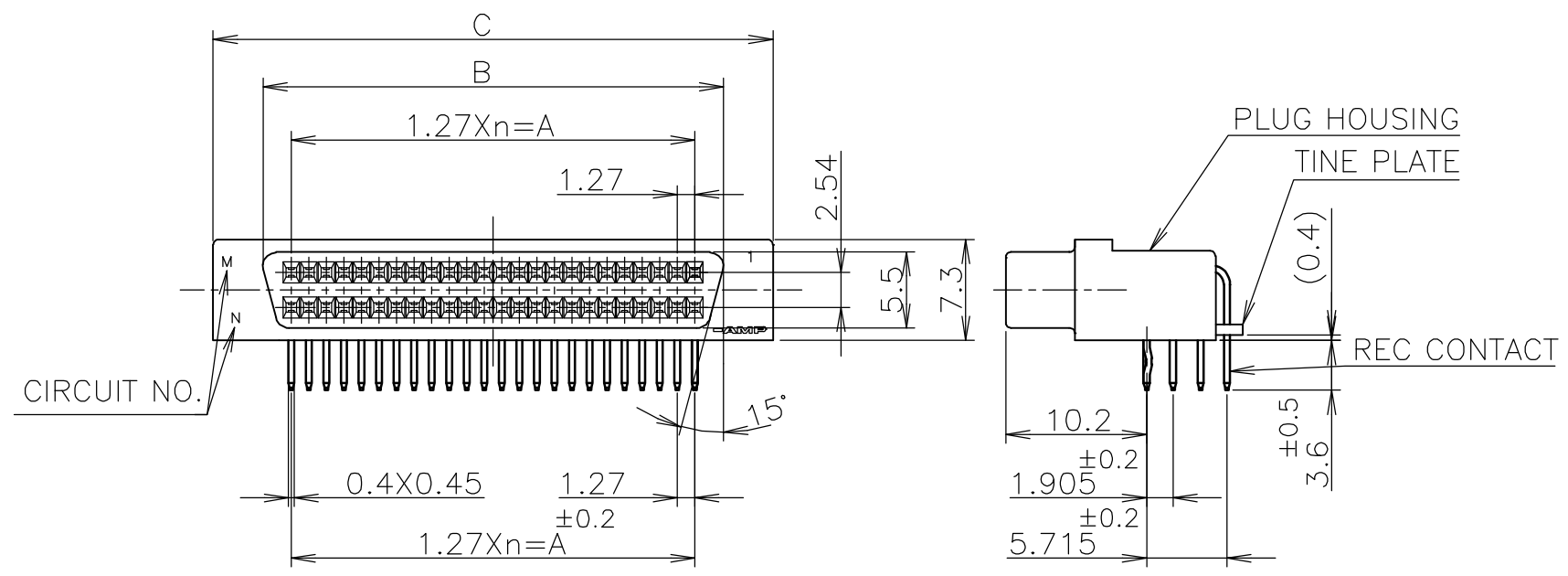


THIS DRAWING IS UNPUBLISHED. RELEASED FOR PUBLICATION DEC, 1987.  
 © COPYRIGHT 1987 BY TYCO ELECTRONICS CORPORATION. ALL RIGHTS RESERVED.

LOC	DIST	REVISIONS		
J	/	P	LTR	DESCRIPTION
		A	RELEASED	DATE: 16MAR05 DWN: L.Z APVD: I.E.



- 1 MATERIAL AND FINISH  
 PLUG HOUSING AND TINE PLATE ; THERMOPLASTIC (UL94V-0) COLOR: BLACK  
 REC. CONTACT ; COPPER ALLOY FINISH, OVER NICKEL  
 MATING END: 0.0002 MIN. OR 0.00076 MIN. GOLD  
 TERMINATION END: TIN OVER SEALING TREATMENT.
- 2 P.C.B. LAYOUT AND P.C.B. TREATMENT(REF.)  
 USE A P.C.B. SURFACE ARE TREATED WITH SOLDER RESIST.
- 3 KINK POSITIONS(4 POSITIONS).



Au PL. 0.00076 MIN	45.51	68	34	41.91	46.08	53.22	33	68	8-5174682-7
Au PL. 0.0002 MIN	45.51	68	34	41.91	46.08	53.22	33	68	3-5174682-7
REMARK	P	N	M	A	B	C	n	POS.	PART NO.

GENERAL TOLERANCE  
 一般公差  
 10 ≥ : ±0.2  
 30 ≥ > 10: ±0.25  
 100 ≥ > 30: ±0.3  
 ANGLES: ±3°

THIS DRAWING IS A CONTROLLED DOCUMENT.

DIMENSIONS: 單位: 耗 MM

TOLERANCES UNLESS OTHERWISE SPECIFIED: 一般公差

0 PLC ± -  
 1 PLC ± -  
 2 PLC ± -  
 3 PLC ± -  
 4 PLC ± -  
 ANGLES ± -

MATERIAL 材料

DWN GAVIN ZHANG 06JUL04  
 CHK T. KAWAMAE 06JUL04  
 APVD I. ENOMOTO 06JUL04

**tyco Electronics** Tyco Electronics AMP K.K. Kawasaki, Japan

NAME 名称: PLUG ASSY HORIZONTAL (W/KINK)  
 AMPLIMITE .050 SERIES I B-TO-B CONN.

PRODUCT SPEC 製品規格: 108-60036  
 APPLICATION SPEC 取付適用規格

SIZE A3 CAGE CODE 00779 DRAWING NO 番号 C-5174682 RESTRICTED TO

WEIGHT CUSTOMER DRAWING SCALE 尺度 2:1 SHEET 1 OF 1 REV A