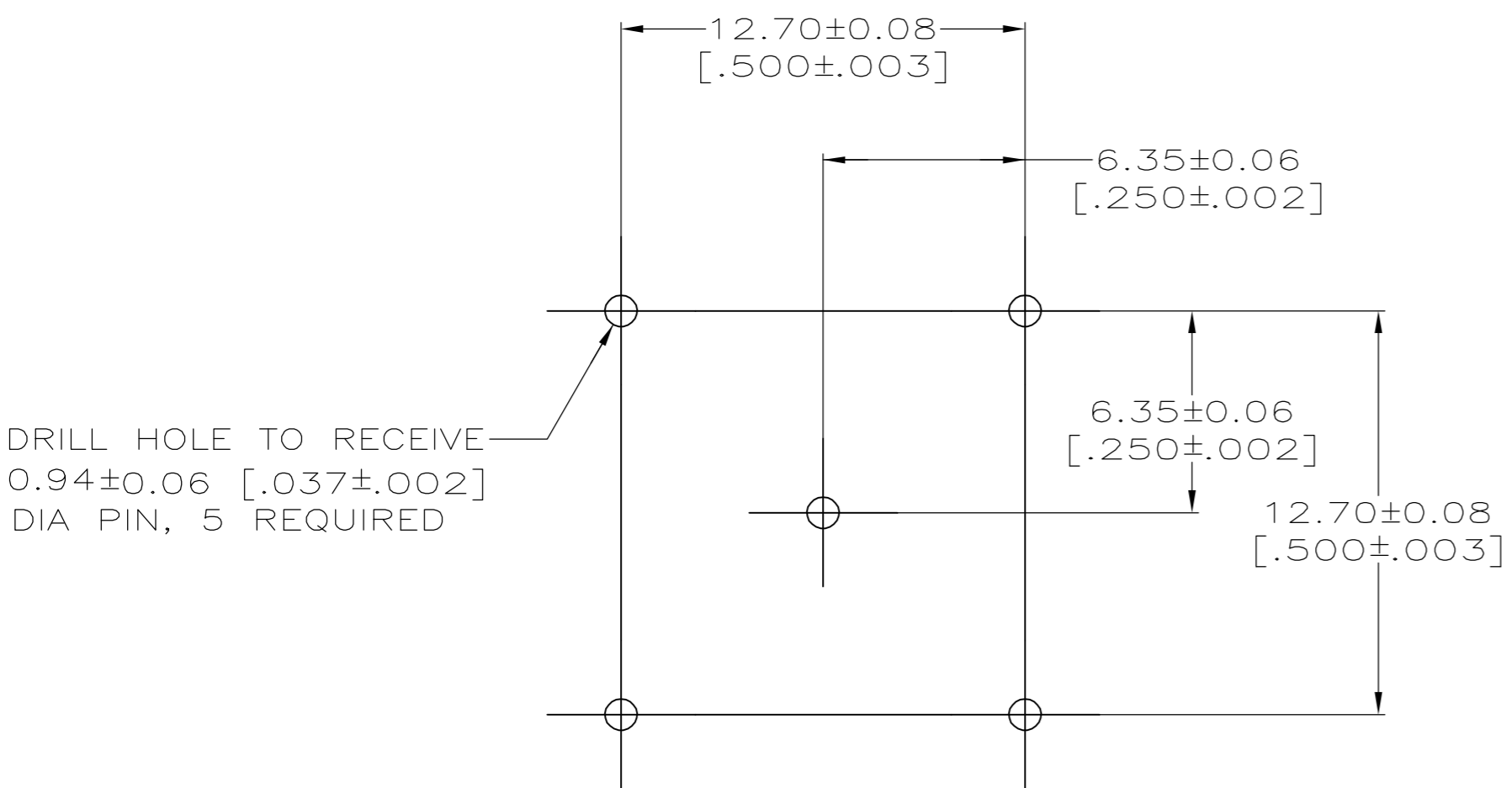
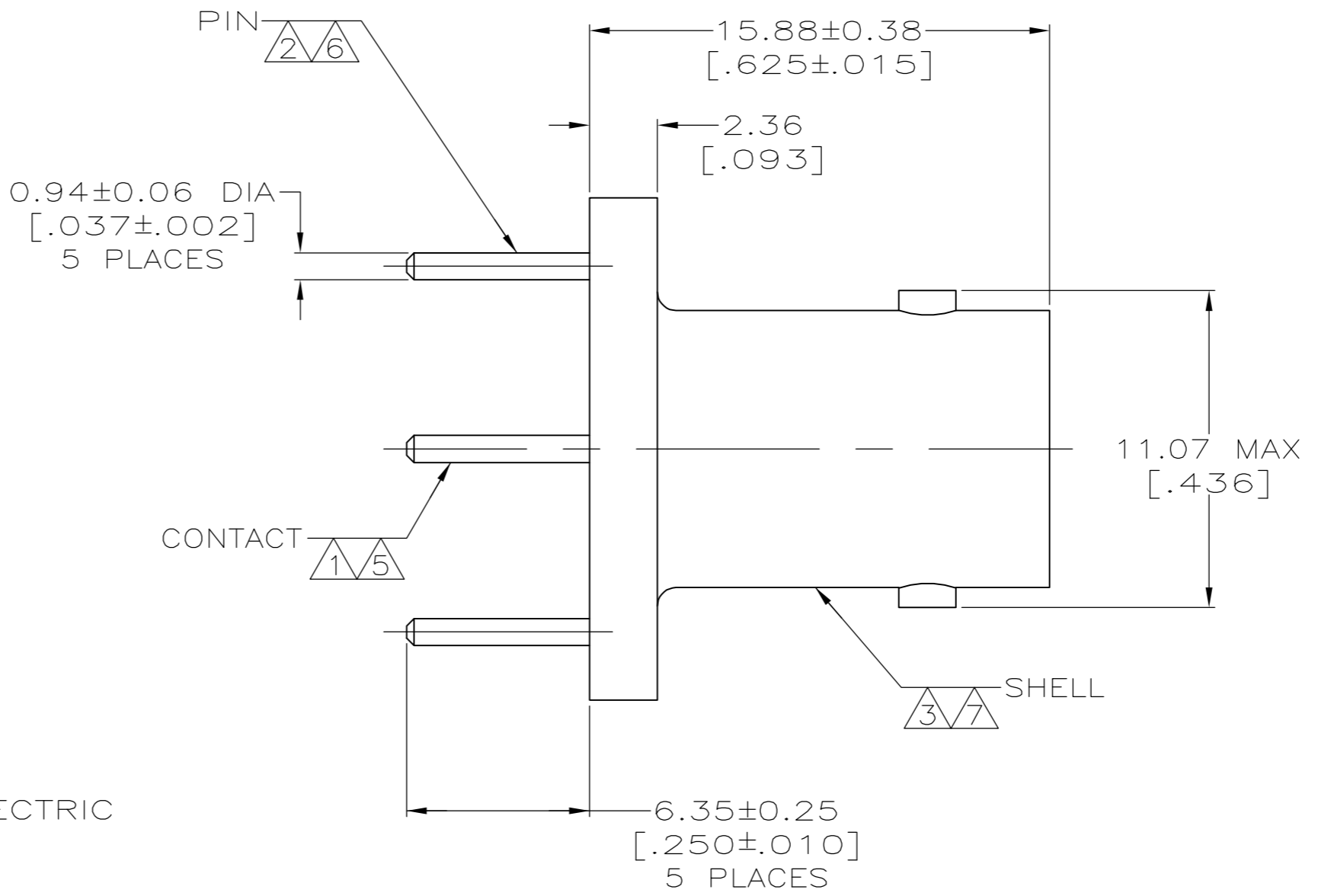
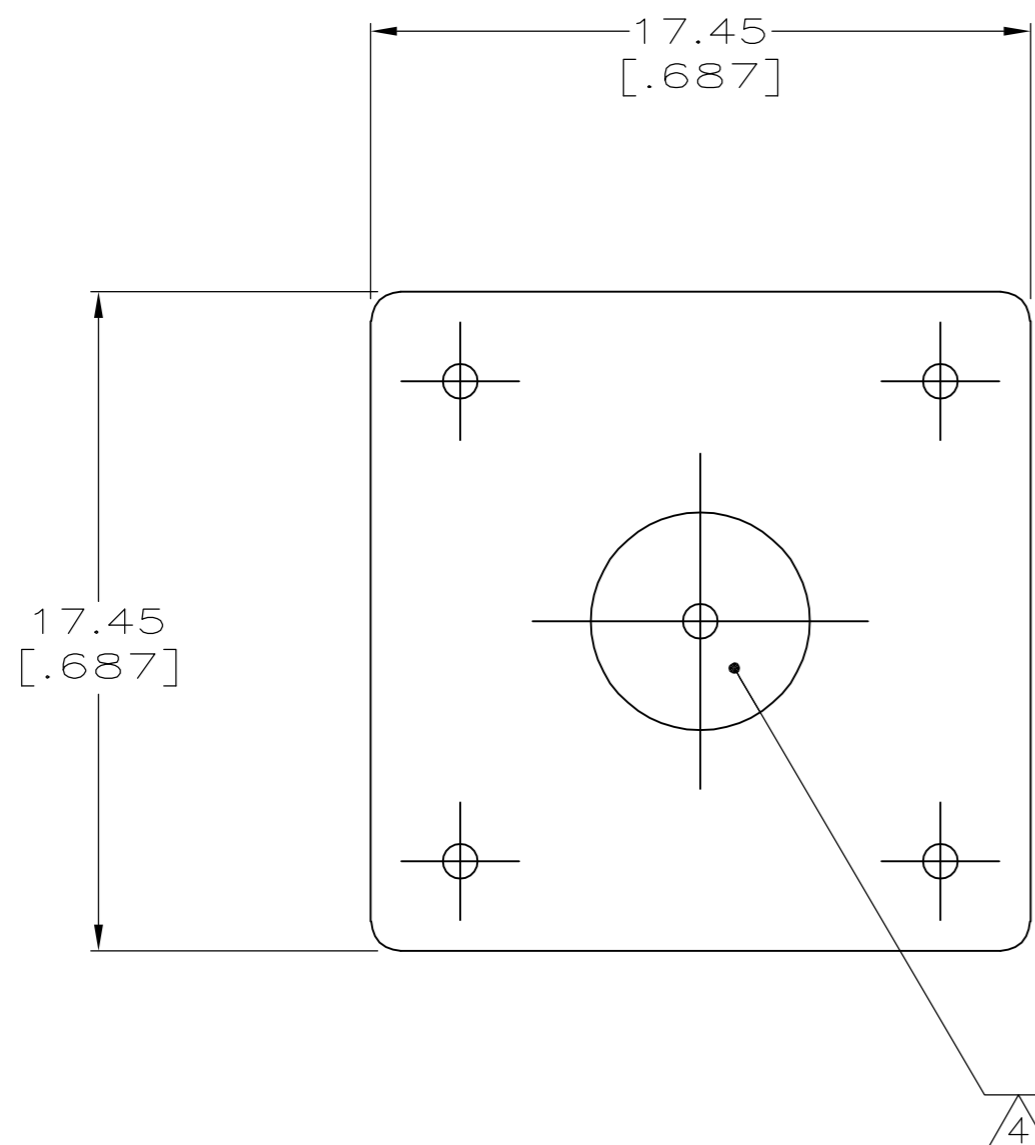


THIS DRAWING IS UNPUBLISHED. RELEASED FOR PUBLICATION
 © COPYRIGHT BY TYCO ELECTRONICS CORPORATION. ALL RIGHTS RESERVED.

LOC	DIST	REVISIONS					
		P	LTR	DESCRIPTION	DATE	DWN	APVD
AJ	16	A		REV PER ECO 06-002539	07APR06	GB	JH



SUGGESTED PCB CONFIGURATION

- ① BERYLLIUM COPPER PER ASTM-B-197.
- ② BRASS PER ASTM-B-16.
- ③ ZINC PER QQ-Z-363.
- ④ PTFE PER ASTM-D-1710.
- ⑤ SILVER PLATE PER QQ-S-365
2.54 μm [0.000100] MINIMUM THICK.
- ⑥ TIN PLATE PER ASTM-B-545
2.54 μm [0.000100] MINIMUM THICK.
- ⑦ NICKEL PLATE PER QQ-N-290
3.81 μm [0.000150] MINIMUM THICK.
- 8. SEE INSTRUCTION SHEET 408-9889.

5413986-1
PART NUMBER

THIS DRAWING IS A CONTROLLED DOCUMENT.		DWN A. FERNANDEZ-DOCK5 22APR2005	Tyco Electronics Corporation Harrisburg, PA 17105-3608		
DIMENSIONS: mm [INCHES]		CHK J. HAVENER 22APR2005			
TOLERANCES UNLESS OTHERWISE SPECIFIED:		APVD J. LIPPERT 22APR2005	NAME JACK, 75 OHM, VERTICAL, PCB, BNC		
0 PLC ± - 1 PLC ± - 2 PLC ± 0.20 [0.008] 3 PLC ± - 4 PLC ± - ANGLES ± -		PRODUCT SPEC 108-12078	SIZE A2	CAGE CODE 00779	DRAWING NO C=5413986
MATERIAL SEE NOTES 1 - 4		FINISH SEE NOTES 5 - 7	WEIGHT -	RESTRICTED TO -	SCALE 5:1
CUSTOMER DRAWING			SHEET 1 of 1	REV A	