

Product data sheet

Specifications



Pressure switch 9012G, adjustable scale, 2 thresholds, 5.0 to 250 PSIG

9012GAW6

Main

Range of product	9012G
Pressure sensor type	Electromechanical pressure switch
Pressure sensor name	9012G
Pressure sensor size	1723.69 kPa
Maximum pressure	750 psi
Contacts type and composition	NC-NO, SPDT-DB, Form Z, snap action, silver nickel contacts
Controlled fluid	Hydraulic oil (-40...121 °C) Non-corrosive liquids Air Non-corrosive gas
Fluid connection type	0.25 inch 18 NPTF conforming to UL 508
Pressure switch type of operation	Regulation between 2 thresholds
Scale type	Adjustable differential
Local display	Without

Complementary

Range on decreasing pressure	34.47...1723.69 kPa
Approx adjustable differential at mid range	68.95...337.84 kPa +/- 2.5 % full scale
Cable entry	0.5 inch NPT conduit entrance
Terminal block type	4 screw terminals
Electrical connection	Screw-clamp terminals, AWG 22...AWG 12
Terminal identifier	(2-4)NC (3)gnd
Electrical circuit type	Control circuit
Local signalling	Without:
[In] rated current	3 A 240 V AC A600 conforming to NEMA rating designation 6 A 120 V AC A600 conforming to NEMA rating designation 0.27 A 250 V DC Q600 conforming to NEMA rating designation 0.22 A 125 V DC Q600 conforming to NEMA rating designation
Setting	Internal
Enclosure material	Die cast aluminium alloy 380
Pressure actuator	Diaphragm nitrile (Buna-N)

Height	140.97 mm
Depth	66.80 mm
Width	88.90 mm
Operating position	Any position
Materials in contact with fluid	Zinc plated steel Zinc plated steel
Short-circuit protection	10 A cartridge overload and short-circuit protection, type gL
Maximum operating rate	120 cyc/mn
Mechanical durability	5000000 cycles
Repeat accuracy	4 %
Net weight	1.36 kg

Environment

Vibration resistance	2 gn (f= 40...150 Hz) conforming to IEC 68-2-6
Shock resistance	50 gn conforming to IEC 58-2-27
Standards	UL 508 UL 508 CSA C22.2 No 14
Product certifications	CSA LR25490 class 3211 03 CE UL listed file E12158 CCN NKPZ and CCN NTHT
NEMA degree of protection	NEMA 4/4X/13 conforming to UL 50
Ambient air temperature for operation	-23...85 °C

Packing Units

Unit Type of Package 1	PCE
Number of Units in Package 1	1
Package 1 Height	13.462 cm
Package 1 Width	16.764 cm
Package 1 Length	25.4 cm
Package 1 Weight	1.361 kg

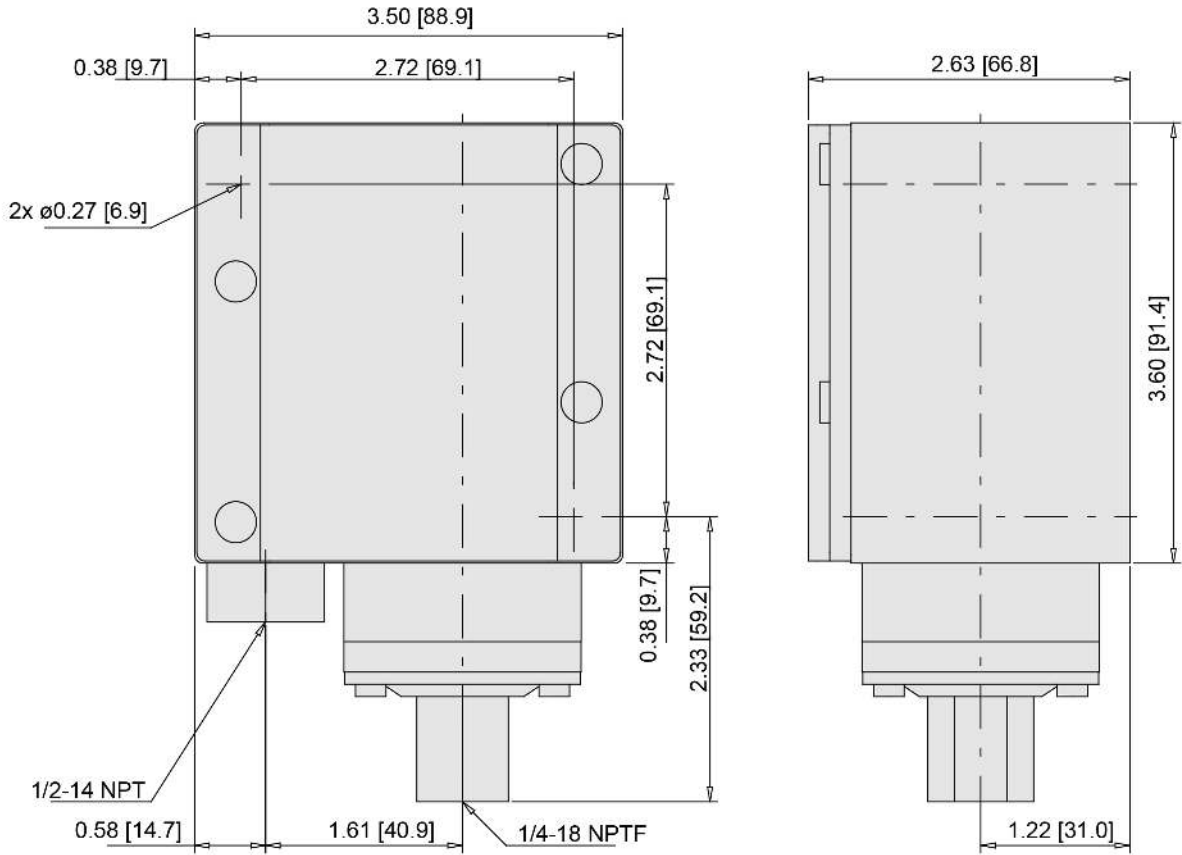
Offer Sustainability

Sustainable offer status	Green Premium product
REACH Regulation	REACH Declaration
EU RoHS Directive	Pro-active compliance (Product out of EU RoHS legal scope) EU RoHS Declaration
Mercury free	Yes
RoHS exemption information	Yes
Environmental Disclosure	Product Environmental Profile
Circularity Profile	End of Life Information
California proposition 65	WARNING: This product can expose you to chemicals including: Diisononyl phthalate (DINP), which is known to the State of California to cause cancer, and Di-isodecyl phthalate (DIDP), which is known to the State of California to cause birth defects or other reproductive harm. For more information go to www.P65Warnings.ca.gov

Contractual warranty

Warranty	18 months
----------	-----------

Dimensions



in. [mm]

Recommended replacement(s)