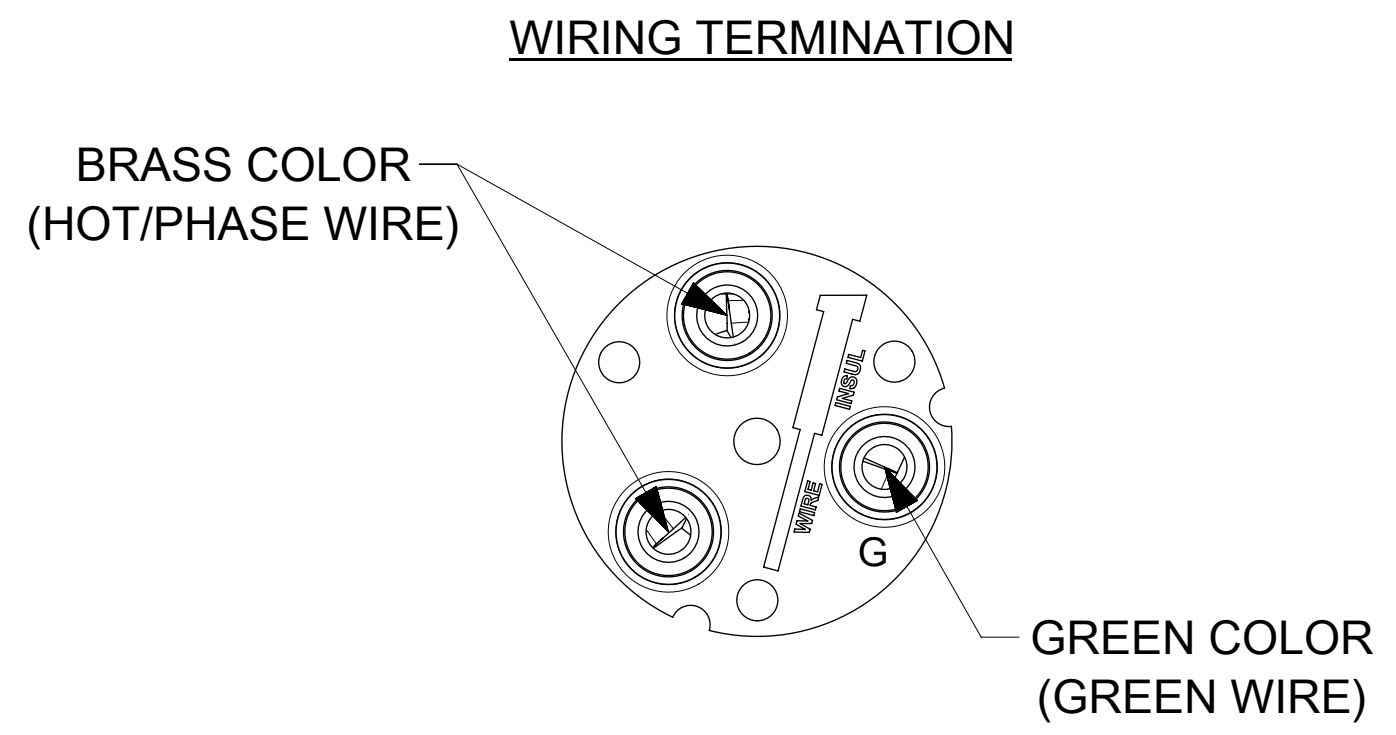
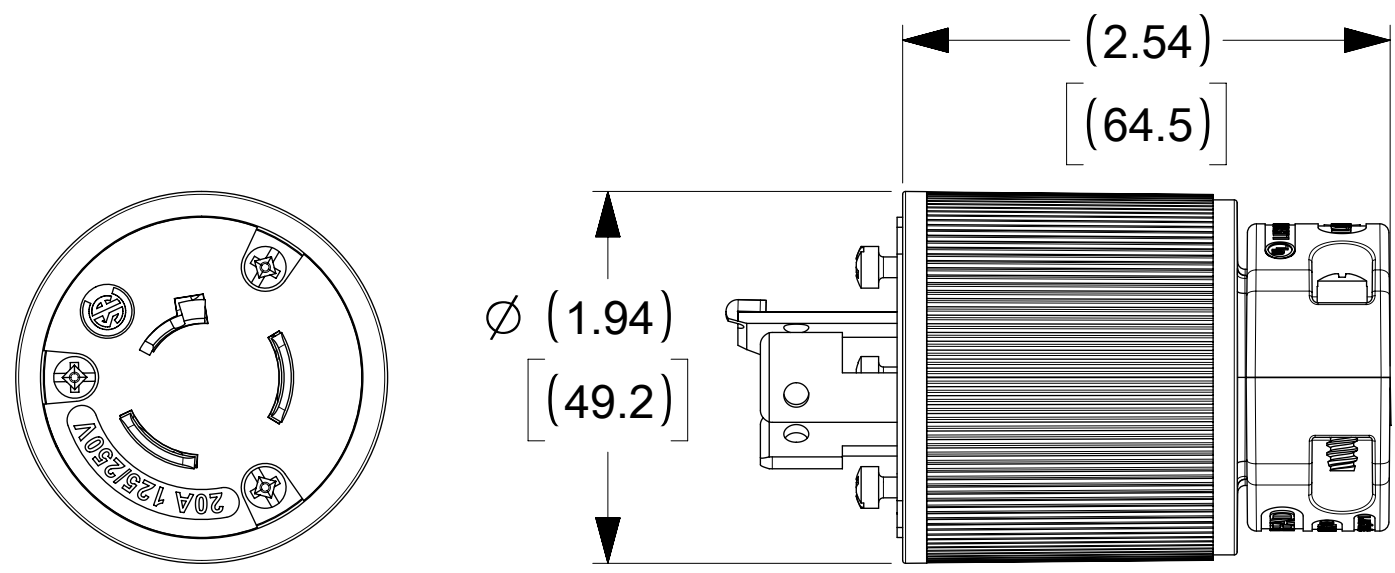
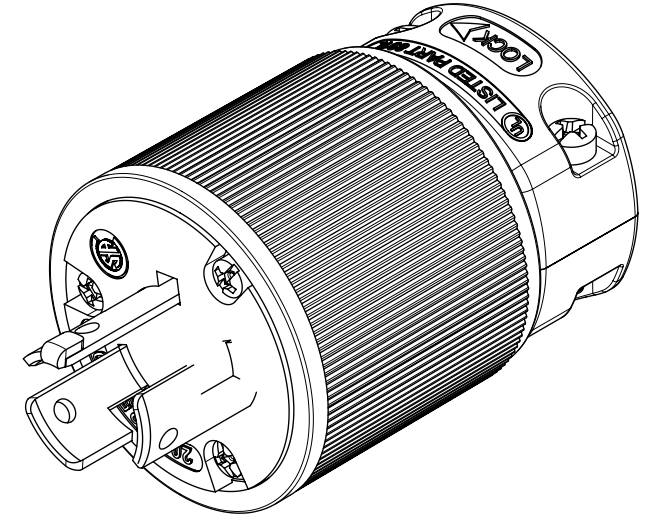
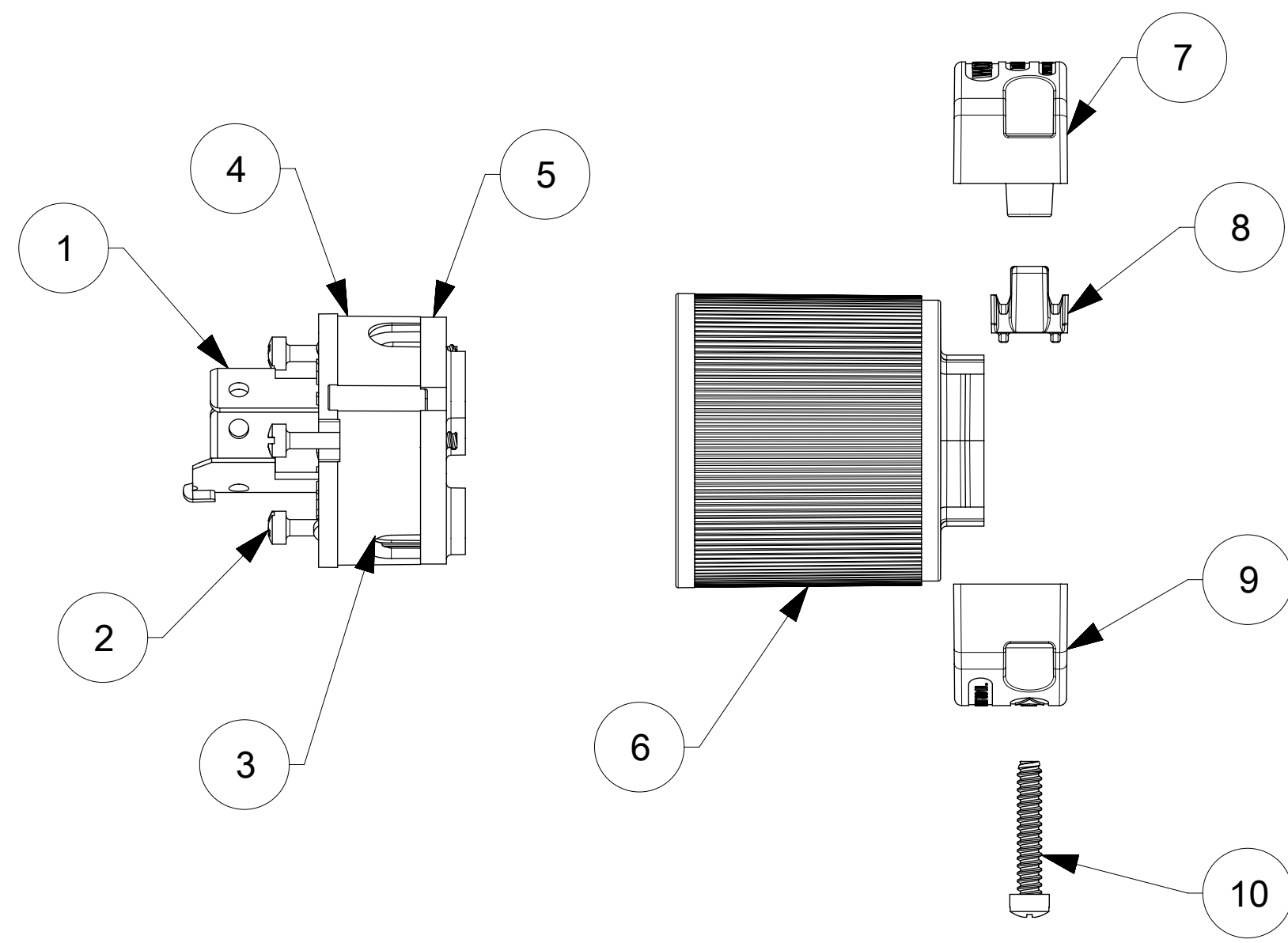


ORDER NO.	WOODHEAD NO.	COLOR
130145-0003	26T08G	BLACK



ITEM NO.	DESCRIPTIONS	MATERIAL	QTY.
1	BLADES	BRASS, NICKEL PLATED	3
2	RETAINING SCREWS	STAINLESS STEEL	3
3	TERMINAL SCREWS/CLAMP ASSEMBLY	BRASS, ZINC PLATED	3
4	INSERT	NYLON	1
5	TERMINAL COVER	POLYCARBONATE	1
6	HOUSING	NYLON	1
7	CLAMP CORD MALE	NYLON	1
8	CLAMP CORD INSERT	NYLON	1
9	CLAMP CORD FEMALE	NYLON	1
10	RETAINING SCREWS	STAINLESS STEEL	2

SYMBOLS		THIS DRAWING CONTAINS INFORMATION THAT IS PROPRIETARY TO MOLEX ELECTRONIC TECHNOLOGIES, LLC AND SHOULD NOT BE USED WITHOUT WRITTEN PERMISSION	
$\nabla = 0$	DIMENSION UNITS	SCALE	CURRENT REV DESC: NEW RELEASE
$\nabla = 0$	INCH[MM]	NTS	
$\nabla = 0$	GENERAL TOLERANCES (UNLESS SPECIFIED)		
$\nabla = 0$		MM	INCH
$\nabla = 0$	4 PLACES	±	±
$\nabla = 0$	3 PLACES	±	±
$\nabla = 0$	2 PLACES	±	±
$\nabla = 0$	1 PLACE	±	±
$\nabla = 0$	0 PLACES	±	±
$\nabla = 0$	ANGULAR TOL	± °	
$\nabla = 0$	DRAFT WHERE APPLICABLE MUST REMAIN WITHIN DIMENSIONS	THIRD ANGLE PROJECTION	DRAWING SERIES
			C-SIZE 130145
		EC NO: 626991	2019/11/07
		DRWN: VBASUTHKARP	2019/12/27
		CHK'D: DNGUYEN62	2020/02/04
		APPR: HKNEELAND	
		INITIAL REVISION:	
		DRWN: VBASUTHKARP	2019/11/07
		APPR: HKNEELAND	2020/02/04
DOCUMENT NUMBER		DOC TYPE	DOC PART
1301450003		PSD	000
MATERIAL NUMBER		CUSTOMER	SHEET NUMBER
SEE TABLE		GENERAL MARKET	1 OF 1