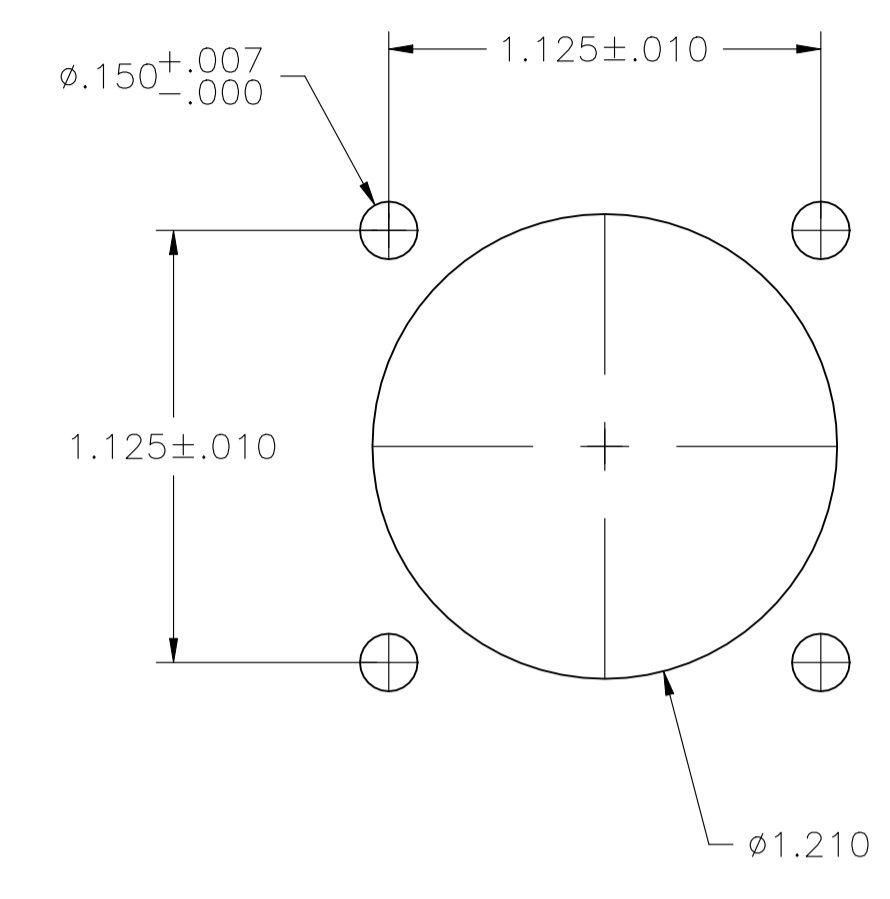
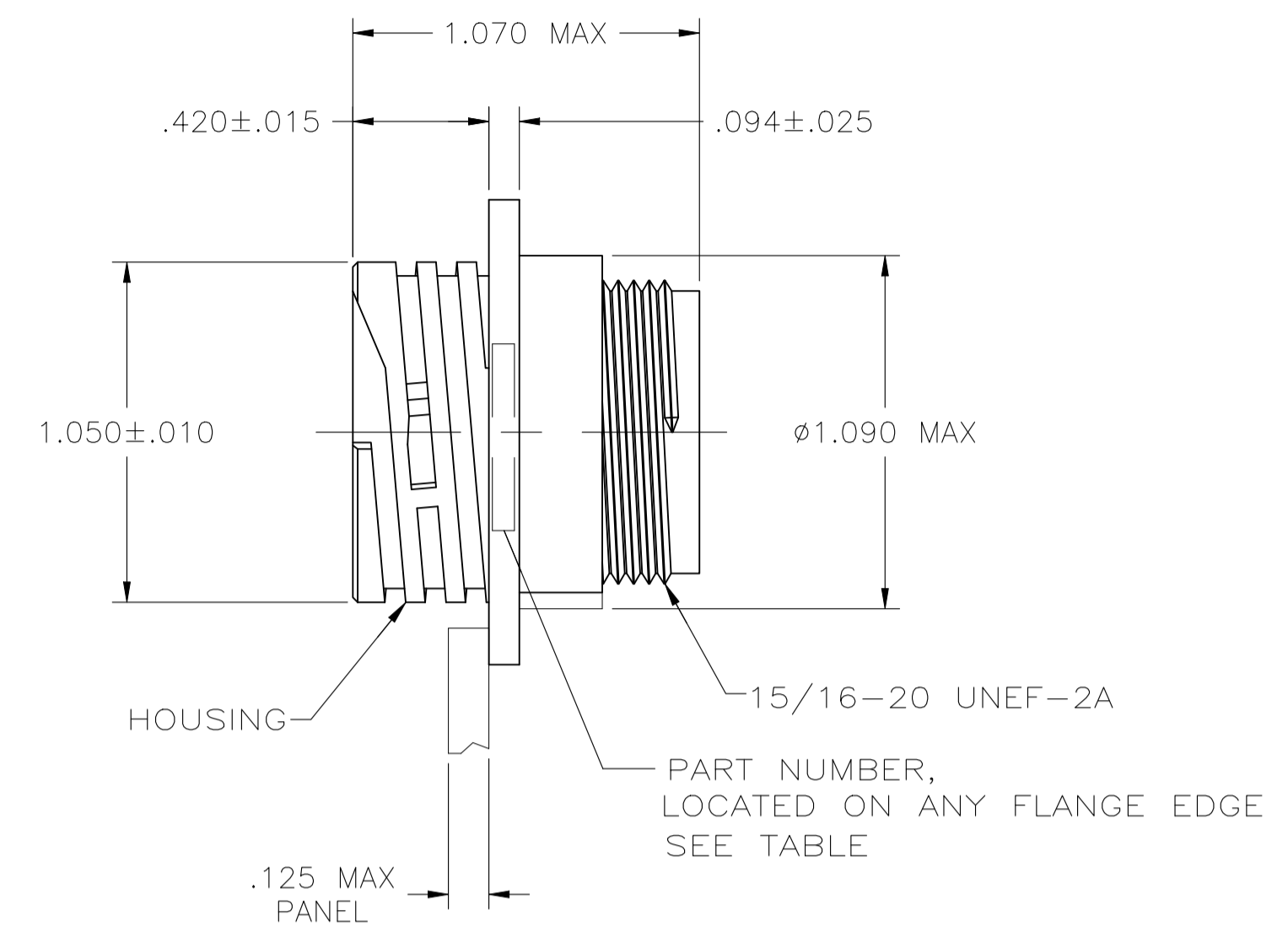
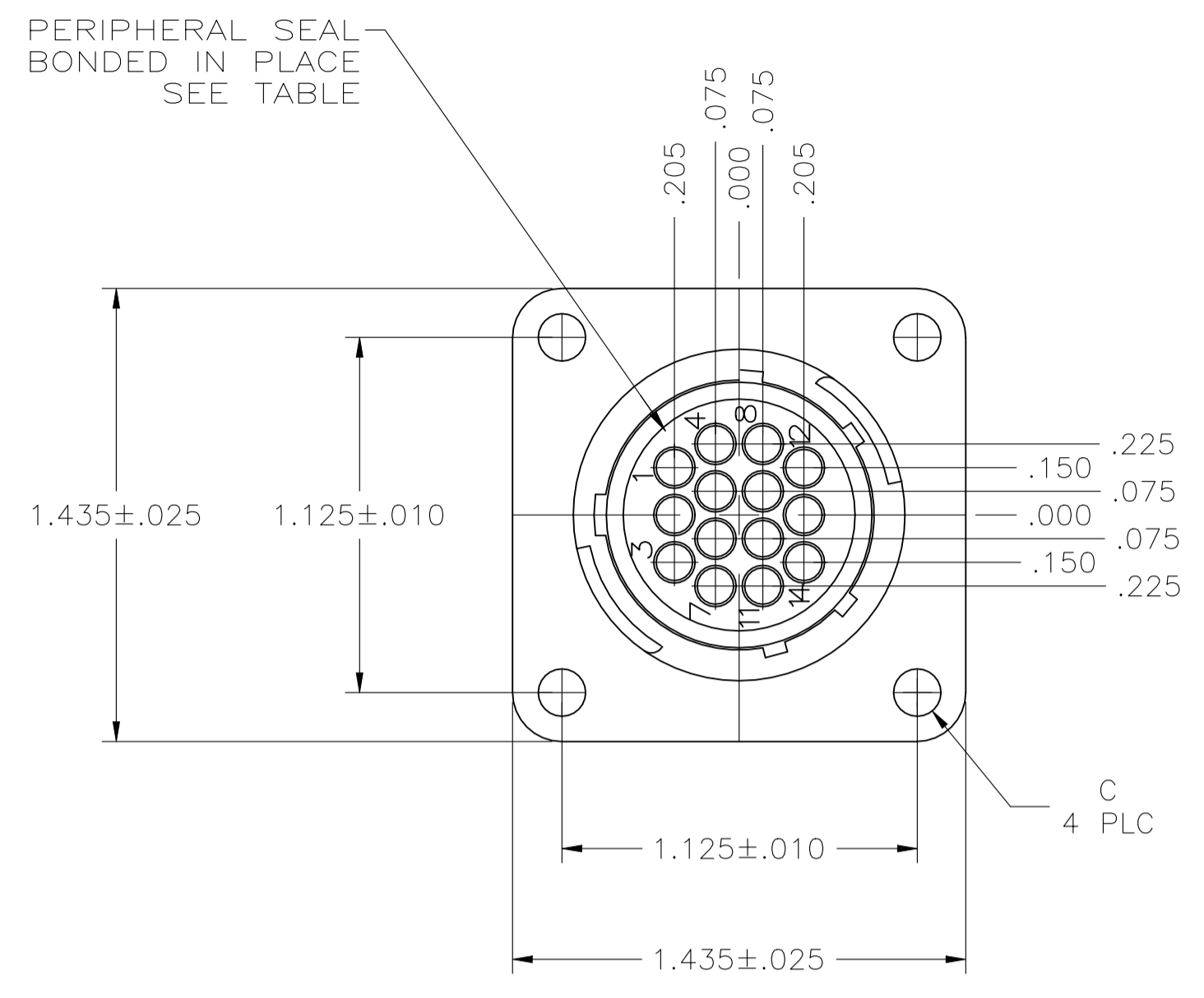
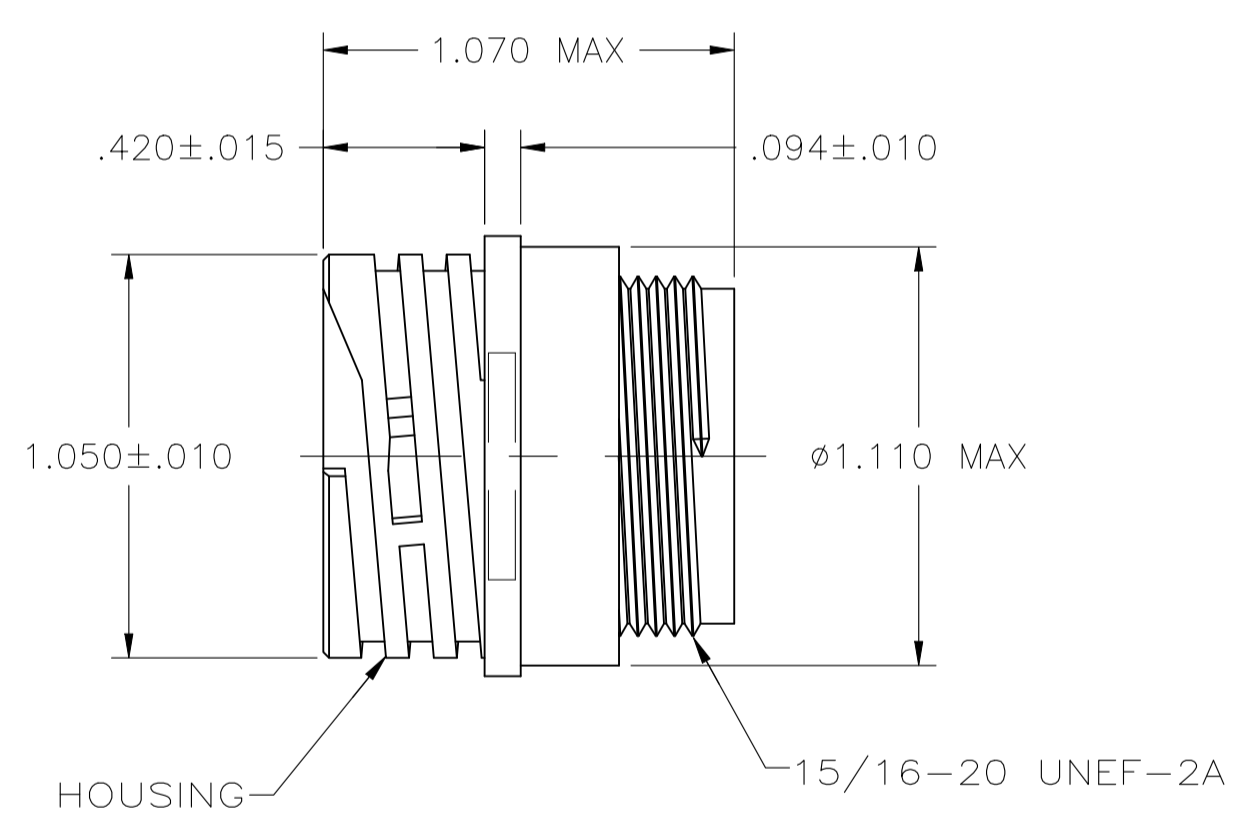
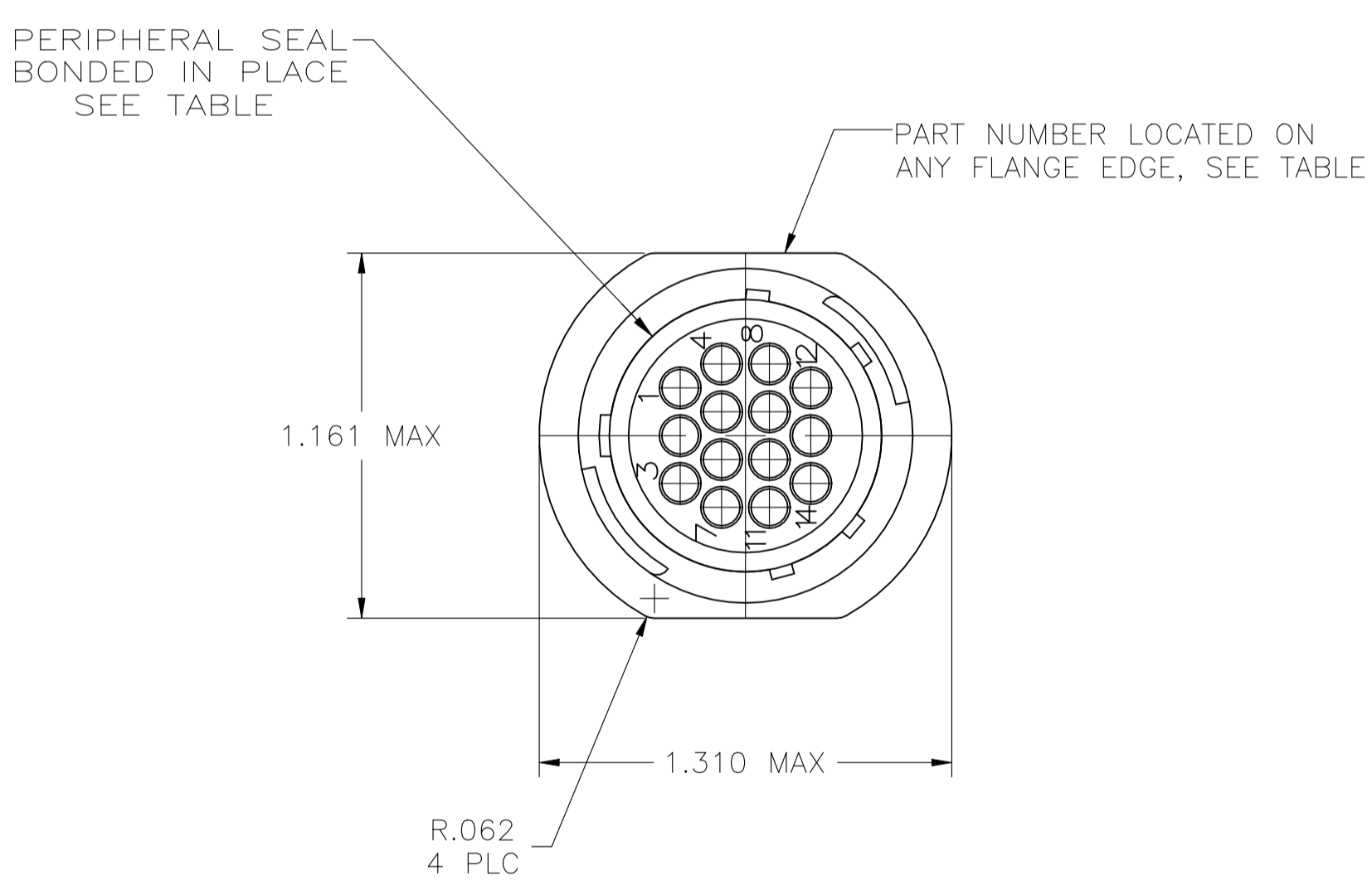


REVISIONS					
P	LTR	DESCRIPTION	DATE	DWN	APVD
U1		REVISED PER ECN-23-199892	01MAR2023	RK	MZ



DETAIL A

RECOMMENDED PANEL CUTOUT



DETAIL B

- 1 CAVITY IDENTIFICATION ON FRONT AND REAR FACE.
- 2 WILL ACCEPT FOURTEEN (14) MULTIMATE SOCKET CONTACTS.
- 3 MATERIALS.

HOUSING USED ON 206043-1, 206043-3, 206043-4, 206043-5: PA66, BLACK
 HOUSING USED ON 1-206043-0: POLYESTER, BLACK
 PERIPHERAL SEAL: NITRILE BUTADIENE RUBBER, BLACK
 THREADED INSERTS: BRASS

DESCRIPTION	1-206043-0	206043-1	STANDARD	NO	A	1-206043-0
OBsolete 4-40 THREADED INSERTS	-	-	STANDARD	YES	A	206043-8
OBsolete 0.150	-	-	SMALL PACK	NO	A	206043-6
-	206043-5	-	STANDARD	YES	B	206043-5
0.150	206043-4	206043-1	STANDARD	YES	A	206043-4
-	-	-	STANDARD	NO	B	206043-3
0.150	-	206043-1	STANDARD	NO	A	206043-1
DIM C	LASER MARKED OR INK STAMPED PART NUMBER	MOLDED PART NUMBER	PACKAGING	PERIPHERAL SEAL	SEE DETAIL	PART NO.

THIS DRAWING IS A CONTROLLED DOCUMENT.

DIMENSIONS: INCHES	TOLERANCES UNLESS OTHERWISE SPECIFIED:	DIN W. LENKER 09/10/92	TE Connectivity
0 PLC ± -	1 PLC ± -	CHK R. STONE 08/11/93	RECEPTACLE ASSEMBLY, REVERSE SEX, SERIES 1, 17-14, CPC
2 PLC ± 0.13 [.005]	3 PLC ± -	APVD -	PRODUCT SPEC 108-10024
4 PLC ± -	ANGLES ± -	NAME -	APPLICATION SPEC -
MATERIAL HOUSING: NYLON BLACK	FINISH -	SIZE CASE CODE DRAWING NO	RESTRICTED TO
		WEIGHT -	A1 00779 C=206043
		CUSTOMER DRAWING	SCALE 2:1 SHEET 1 OF 1 REV U1