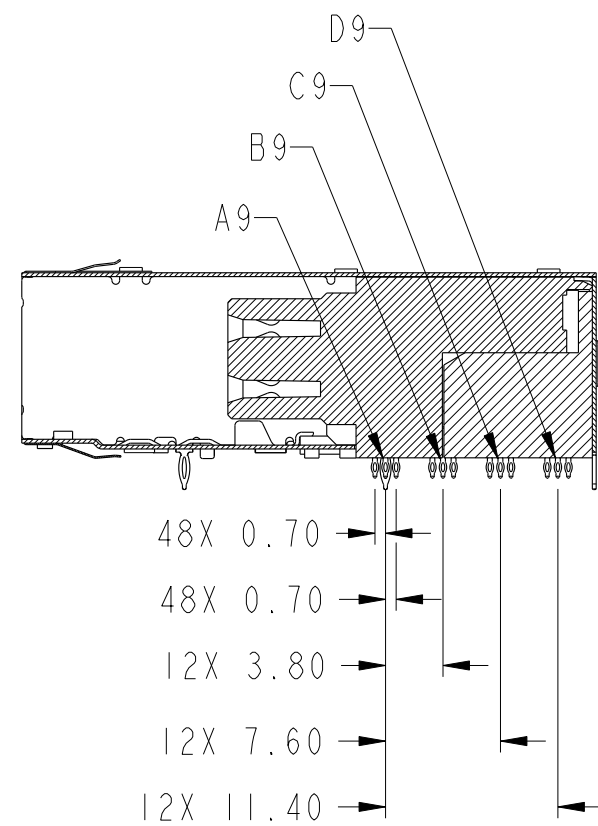
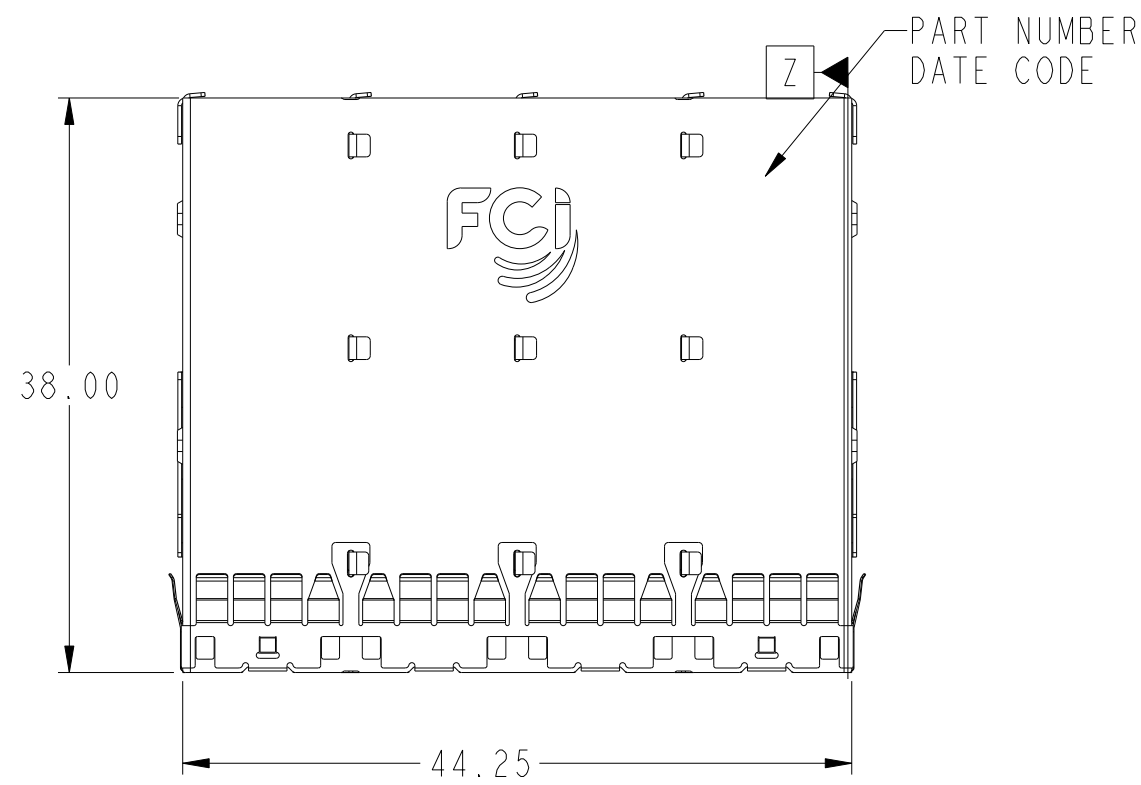
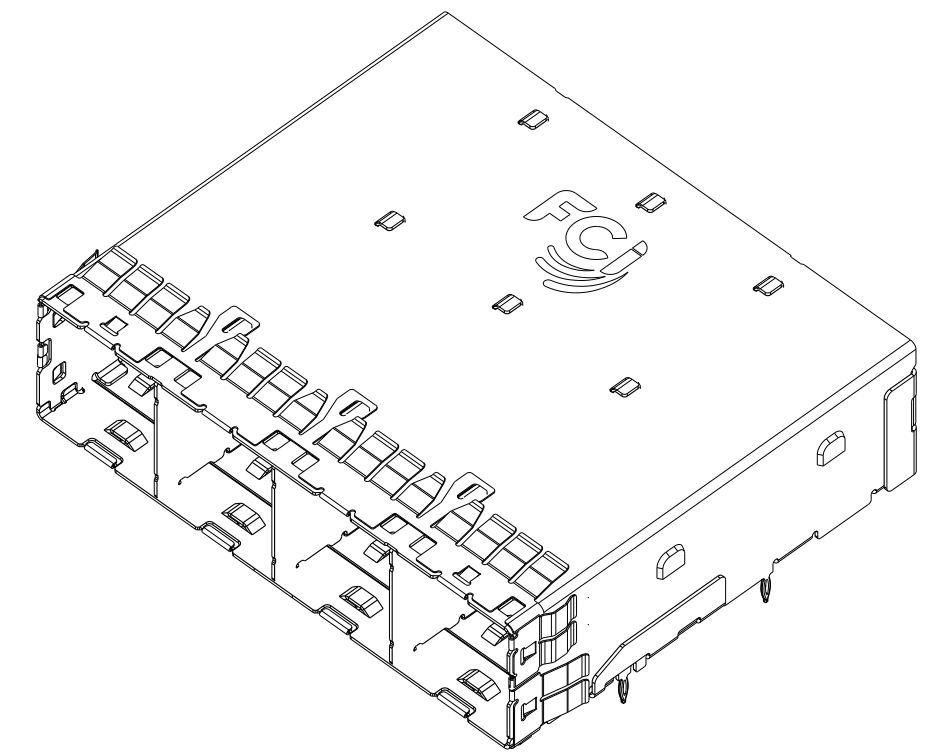


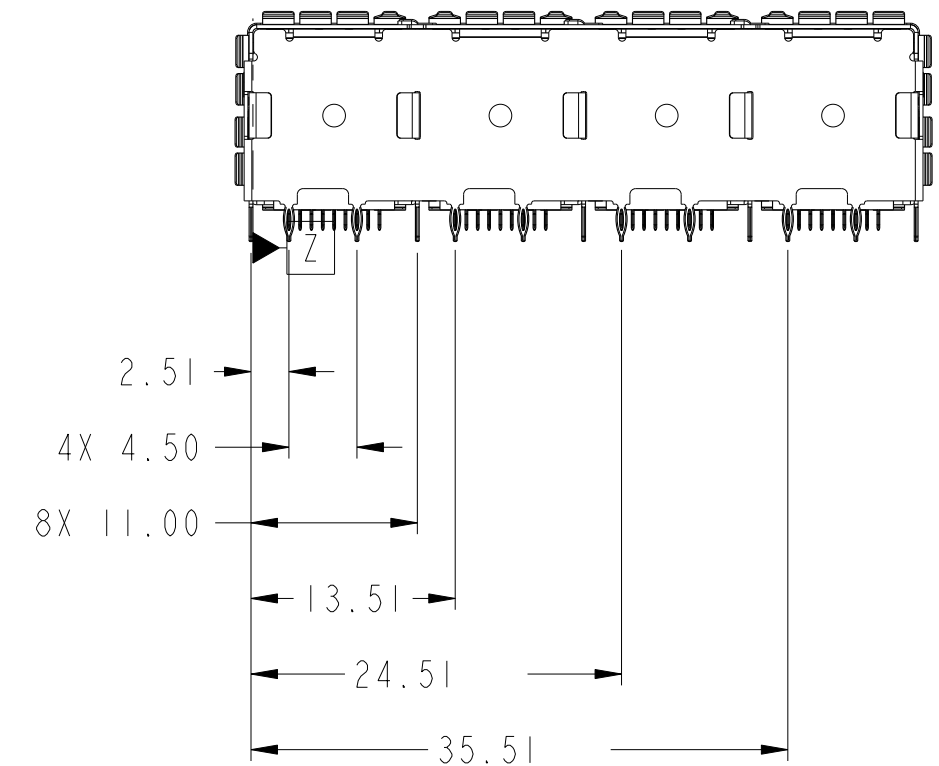
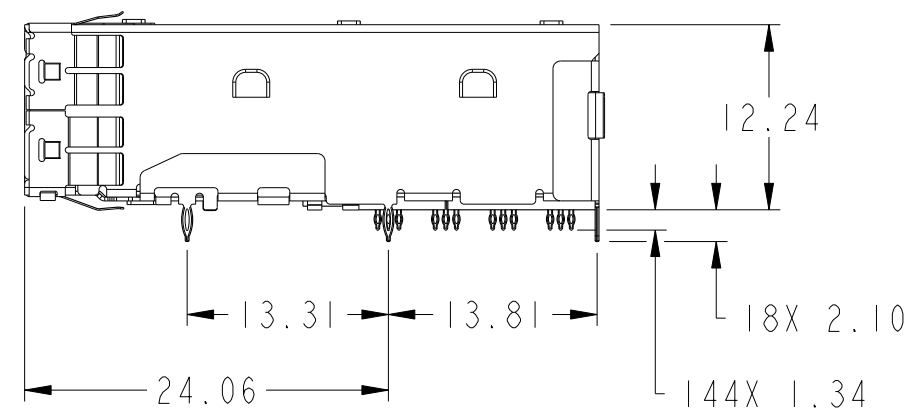
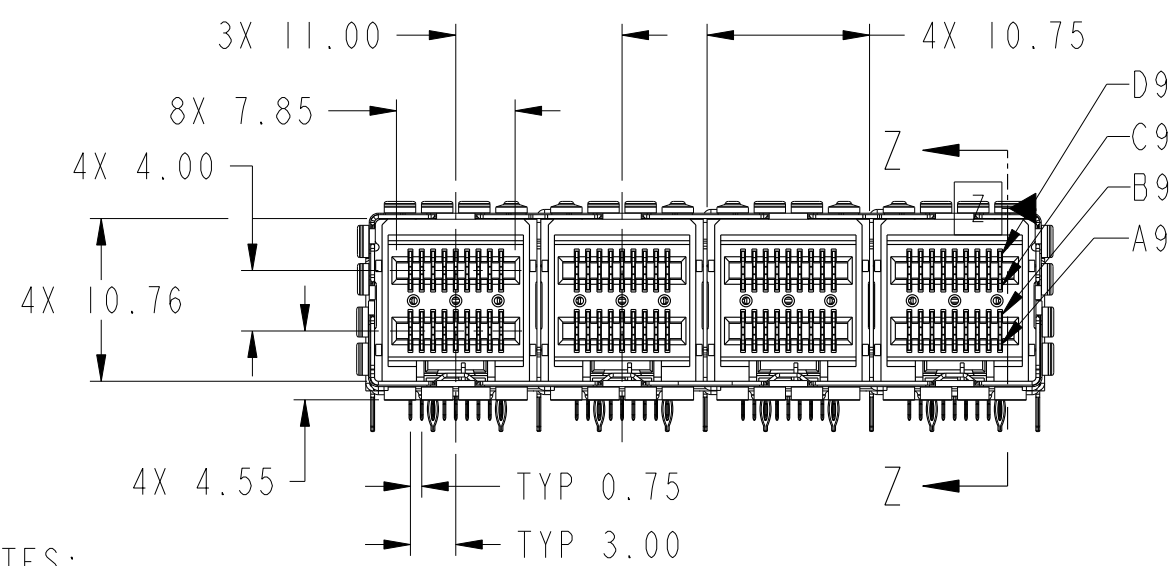
PRODUCT NUMBER	TAIL PLATING OPTION, SEE NOTE 2	DESCRIPTION
10112628-101	OPTION 1	WITHOUT STOPS
10112628-101LF	OPTION 2	WITHOUT STOPS
10112628-102	OPTION 1	WITH STOPS
10112628-102LF	OPTION 2	WITH STOPS



SECTION Z-Z  
SCALE 2:1



10112628-101 & 101LF  
WITHOUT STOPS



NOTES:

- MATERIALS:  
CONNECTOR HOUSING: HIGH TEMPERATURE THERMOPLASTIC  
GLASS FILLED, UL 94V-0  
EMI CAGE: NICKEL SILVER ALLOY  
EMI FINGERS: COPPER ALLOY  
TERMINALS: COPPER ALLOY
- FINISHES:  
EMI FINGERS: 0.50µm MIN NICKEL  
CONTACT AREA: 0.76µm MIN GOLD OVER 2.54µm MIN NICKEL  
TAIL AREA:  
OPTION 1: 0.76µm - 1.52µm TIN/LEAD (90/10) OVER 2.54µm MIN NICKEL  
OPTION 2: 0.76µm - 1.52µm TIN (LEAD FREE) OVER 2.54µm MIN NICKEL
- PRODUCT SPECIFICATION: GS-12-651  
APPLICATION SPECIFICATION: GS-20-0327
- MOUNTING HARDWARE: M2X0.4 BUTTON HEAD SCREW  
MOUNTING SCREW LENGTH: BOARD THICKNESS + 1.4mm MAX (0.9mm MIN).  
4 REQUIRED PER ASSEMBLY
- THIS CONNECTOR IS DESIGNED TO MEET THE REQUIREMENTS OF  
INDUSTRY SPECIFICATION SFF-8644.
- THE USE OF A PCI BRACKET OR EQUIVALENT IS REQUIRED FOR THIS PRODUCT
- A  $\triangle$  SYMBOL WILL BE NEXT TO ANY DIMENSION, VIEW OR NOTE THAT  
HAVE BEEN MODIFIED WITH THE CURRENT DRAWING REVISION.

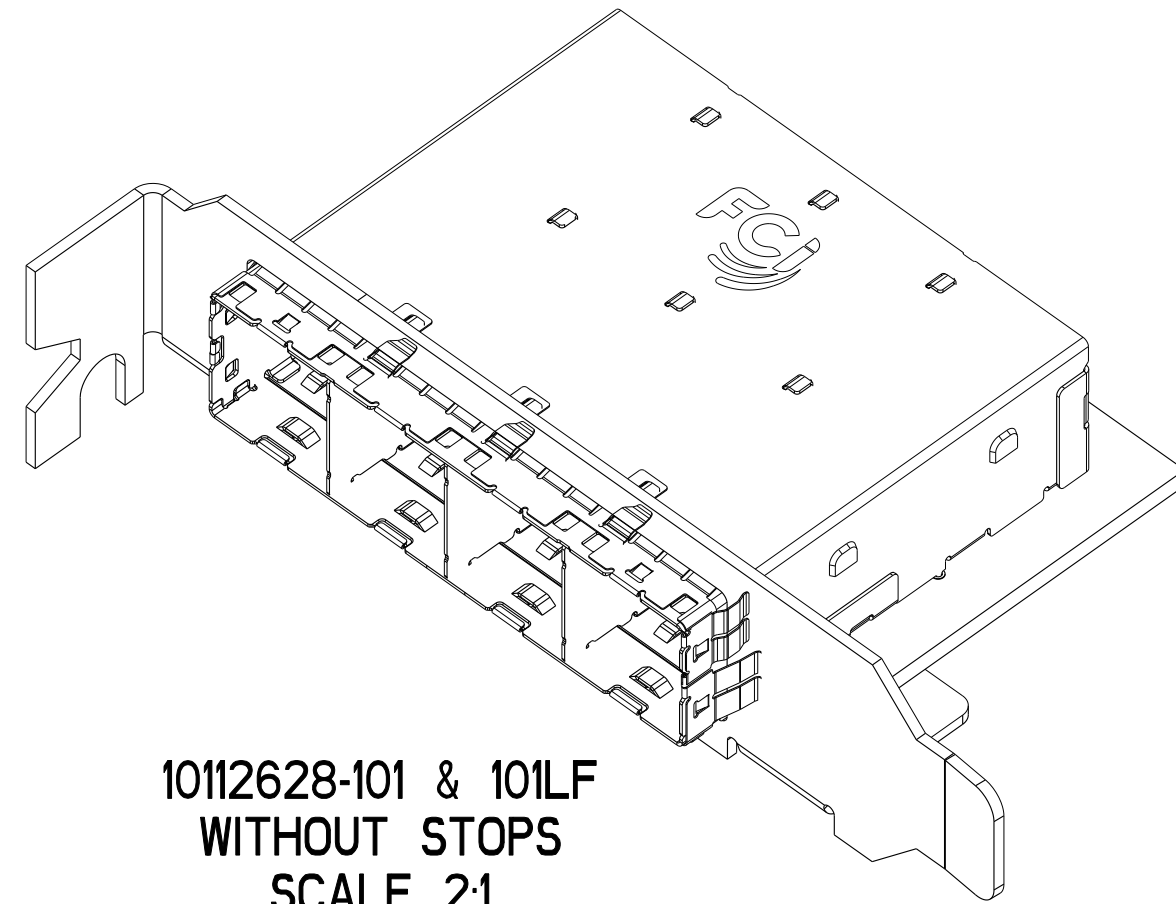
MATES WITH  
MINI-SAS HD ENDS IN:

10112041 SERIES (4X)
10117771 SERIES (4X)
10117946 SERIES (4X)
10117949 SERIES (4X)
10117947 SERIES (8X)
10112359 SERIES (8X)
10117950 SERIES (8X)
10117948 SERIES (8X)

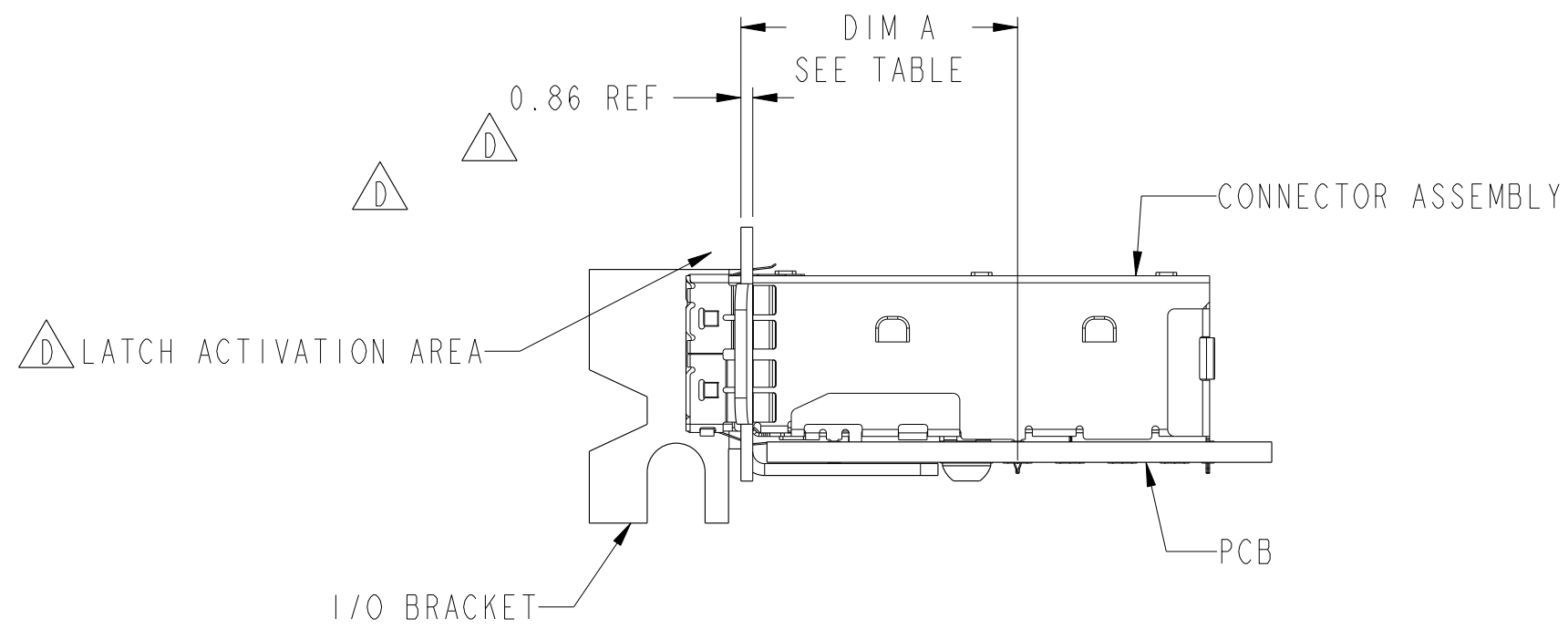
spec ref	-	dr	Mark Gray	2010/08/04	projection	MM	size	A2	scale	4:1												
tolerance std	ASME Y14.5	eng	David Humbert	2012/06/27			ecn no	ELX-V-012039-1														
	TOLERANCES UNLESS OTHERWISE SPECIFIED	chr	-	rel level			Released															
surface	<table border="1"> <tr><td>linear</td><td>0.X</td><td>±0.25</td></tr> <tr><td></td><td>0.XX</td><td>±0.13</td></tr> <tr><td></td><td>0.XXX</td><td>±</td></tr> <tr><td>angular</td><td>0°</td><td>±1/2°</td></tr> </table>	linear	0.X	±0.25		0.XX	±0.13		0.XXX	±	angular	0°	±1/2°	appr	Brad Brubaker	2012/06/27	product family	1x4 EXTERNAL ASSEMBLY			rev	D
linear	0.X	±0.25																				
	0.XX	±0.13																				
	0.XXX	±																				
angular	0°	±1/2°																				
ASME Y14.5		www.fci.com	cat. no.	-	Product - Customer Drw	sheet 1 of 7																

APPLICATION	DIM A
PCI ADD-IN CARD	19.00 ± 0.15
ALL OTHER APPLICATIONS	20.08 ± 0.15

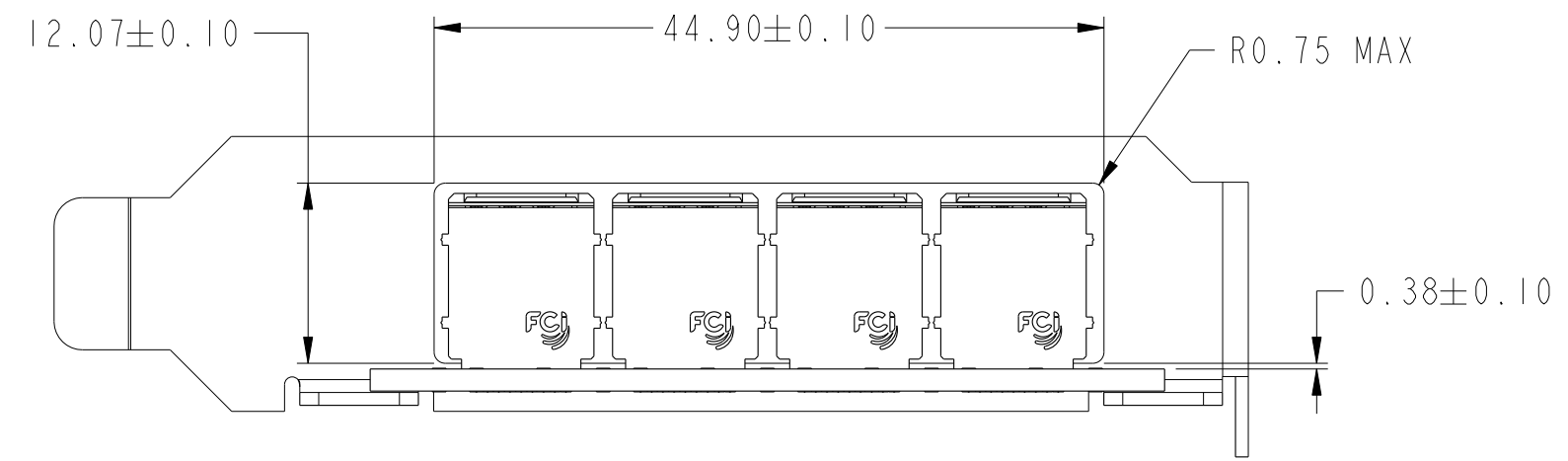
I/O BRACKET CUT OUT  
(BRACKET NOT SUPPLIED)  
SEE NOT 6



10112628-101 & 101LF  
WITHOUT STOPS  
SCALE 2:1



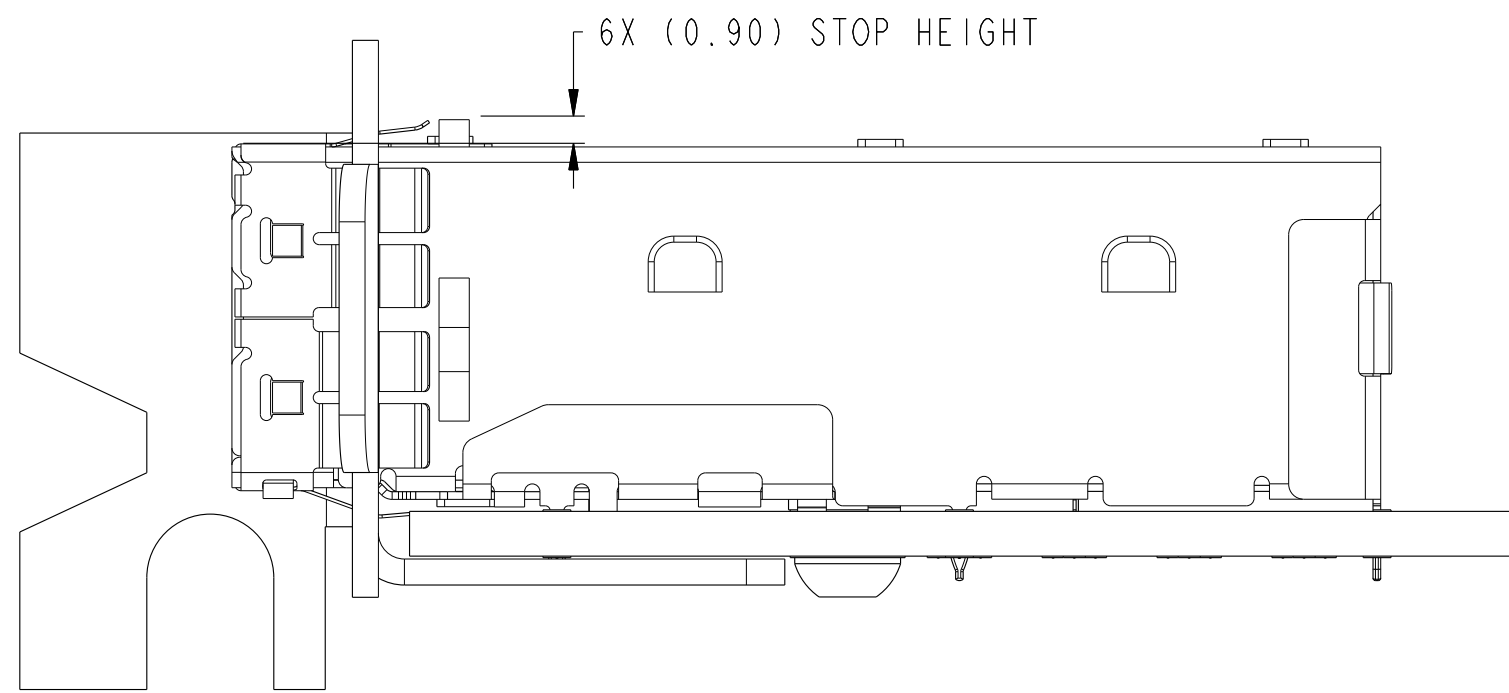
ASSEMBLED VIEW  
WITHOUT STOPS  
SCALE 2:1



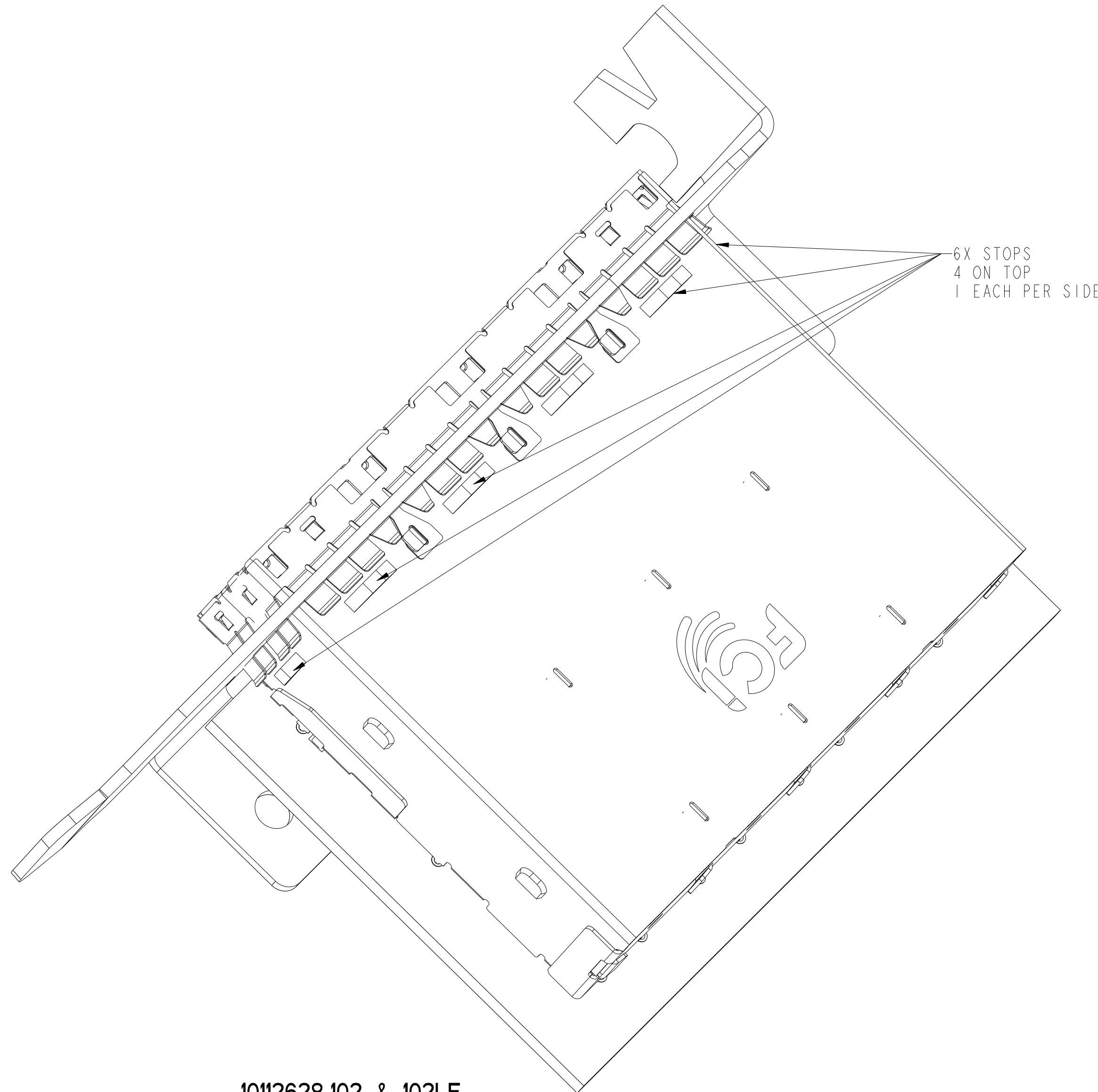
spec ref	-	dr	Mark Gray	2010/08/04	projection	MM	size	A2	scale	12:1		
tolerance std	ASME Y14.5	eng	David Humbert	2012/06/27			ecn no	ELX-V-012039-1				
TOLERANCES UNLESS OTHERWISE SPECIFIED		chr	-	appr			Brad Brubaker	2012/06/27	product family	-	rel level	Released
surface	✓	linear	0.X	±0.25			FCI		title	1x4 EXTERNAL ASSEMBLY		
ASME Y14.5	angular	0°	±1/2°	www.fci.com	cat. no.	-	Product - Customer Drw	sheet 2 of 7	rev	D		

1 2 3 4 5 6 7 8

A  
B  
C  
D  
E  
F



ASSEMBLED VIEW  
WITH STOPS  
SCALE 4:1



10112628-102 & 102LF  
WITH STOPS  
SCALE 4:1

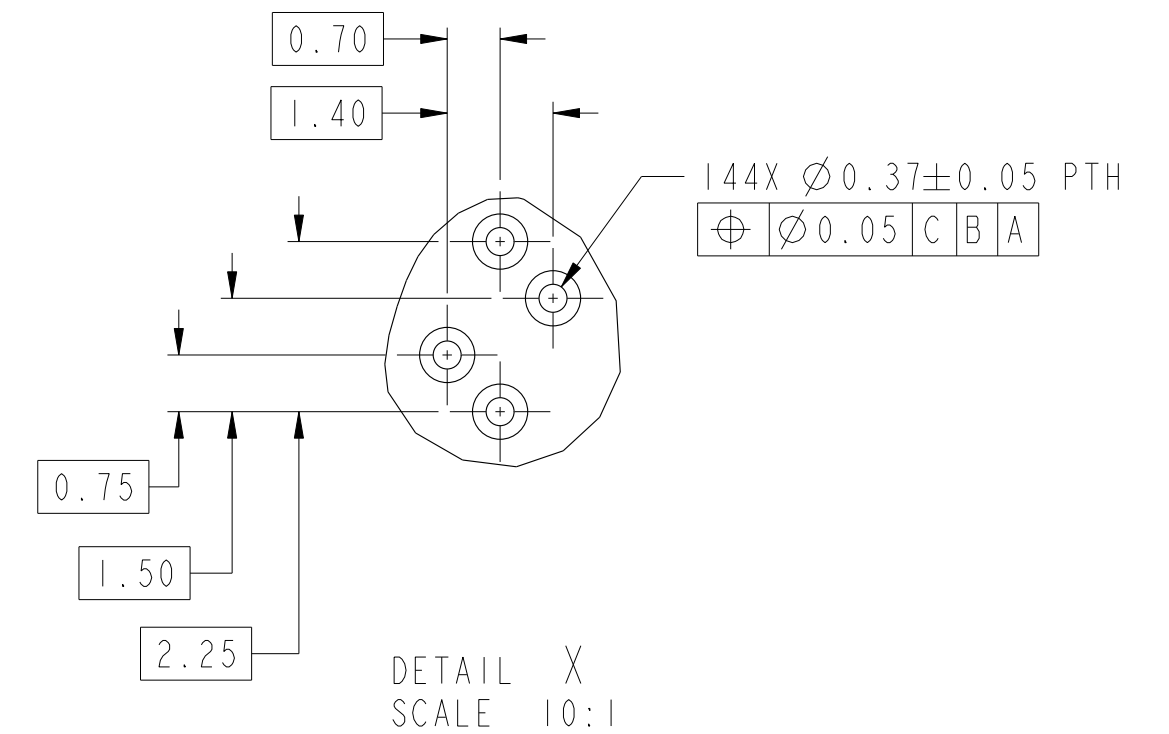
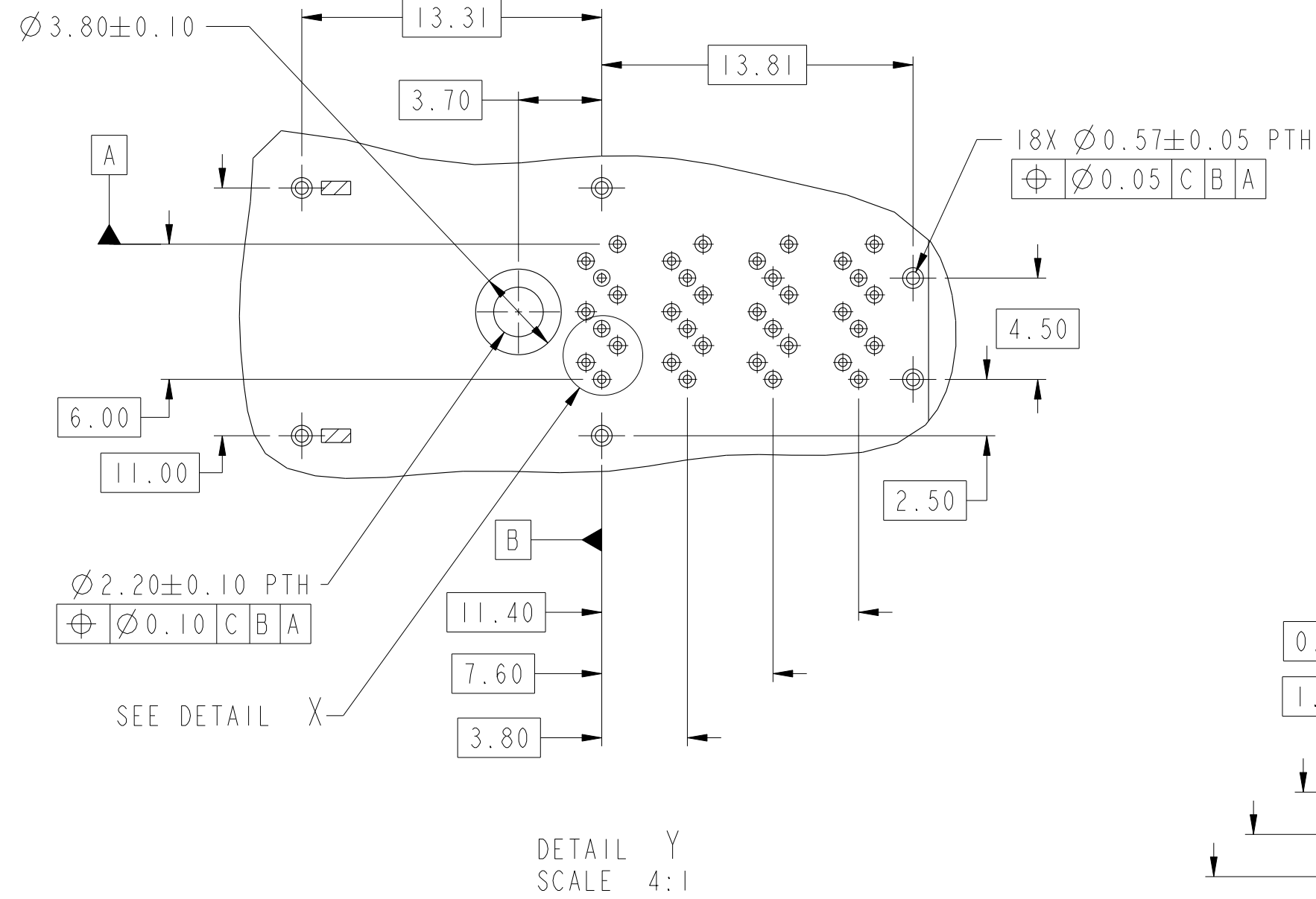
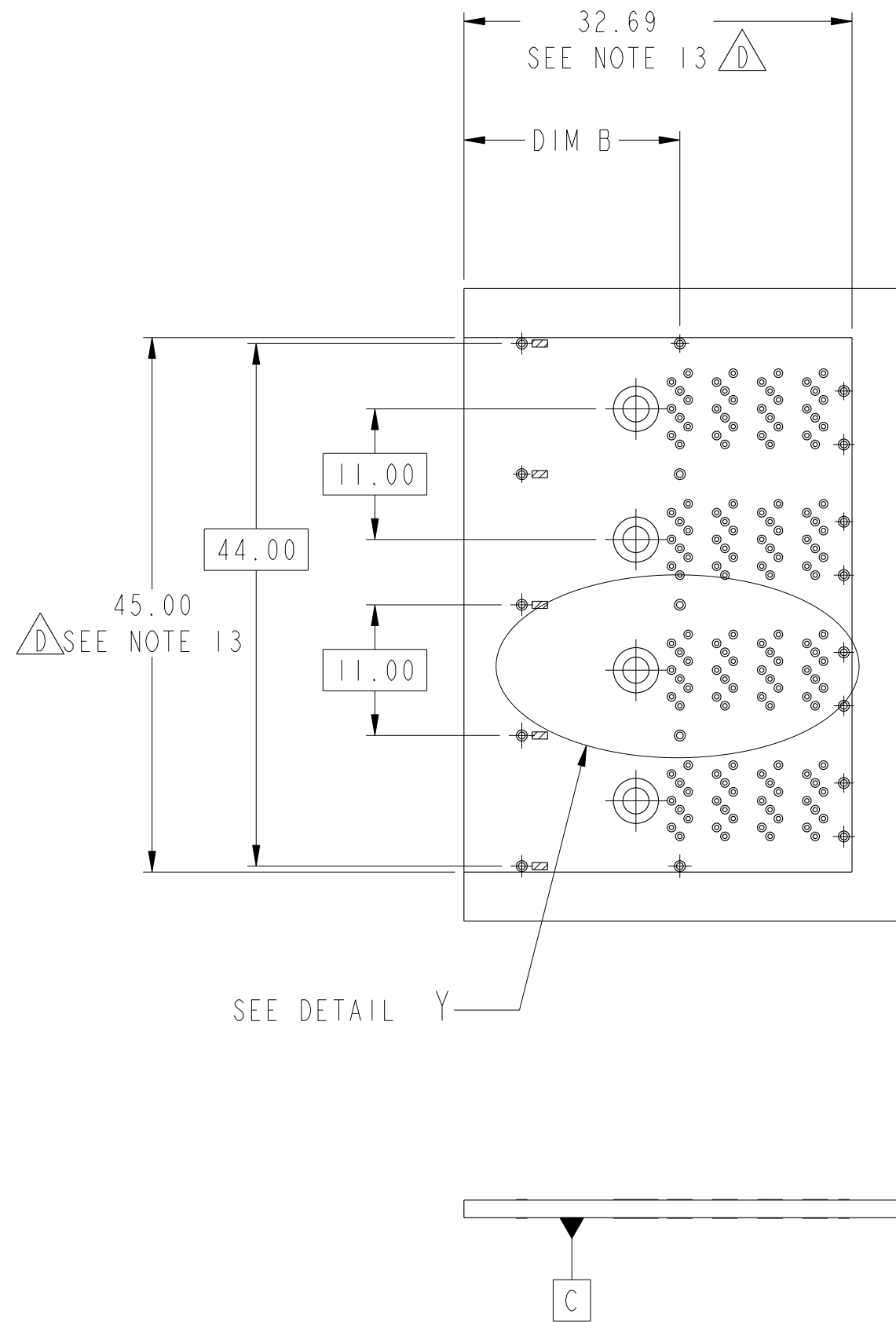
spec ref	-			dr	Mark Gray	2010/08/04	projection	MM	size	A2	scale	1:1
tolerance std	ASME Y14.5			eng	David Humbert	2012/06/27			ecn no	ELX-V-012039-1		
TOLERANCES UNLESS OTHERWISE SPECIFIED				chr	-	appr			Brad Brubaker	2012/06/27	product family	MINI-SAS HD
surface	<input checked="" type="checkbox"/>	linear	0.X	±0.25		title 1x4 EXTERNAL ASSEMBLY MINI-SAS HD	cat. no.	Product - Customer Drw	sheet 3 of 7	rev D	ASME Y14.5 angular 0° ±1/2°	
			0.XX	±0.13								
			0.XXX	±								



Copyright FCI.

APPLICATION	DIM B
PCI ADD-IN CARD	17.10 ± 0.15
ALL OTHER APPLICATIONS	18.19 ± 0.15

# RECOMMENDED BOARD LAYOUT

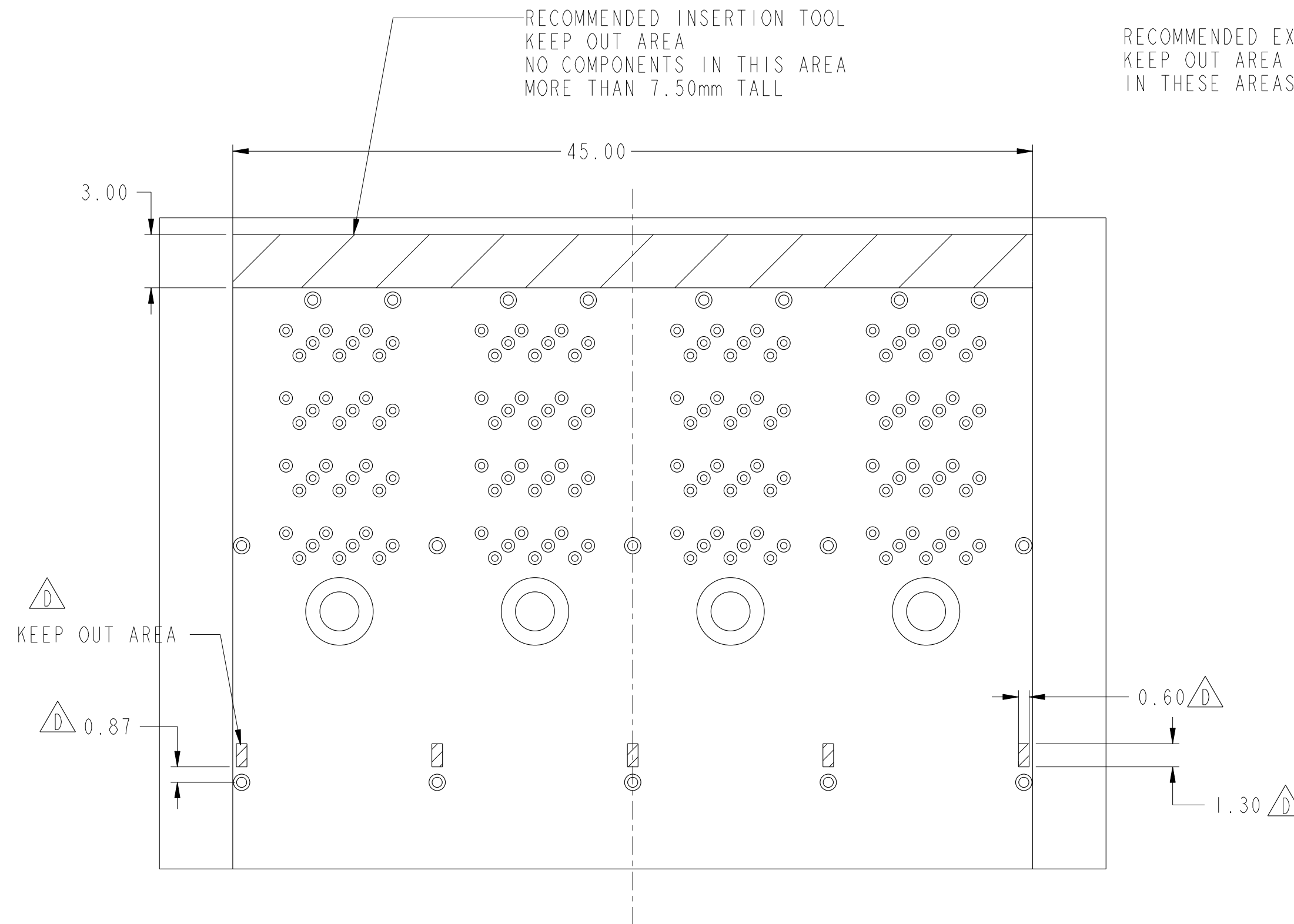


NOTES:

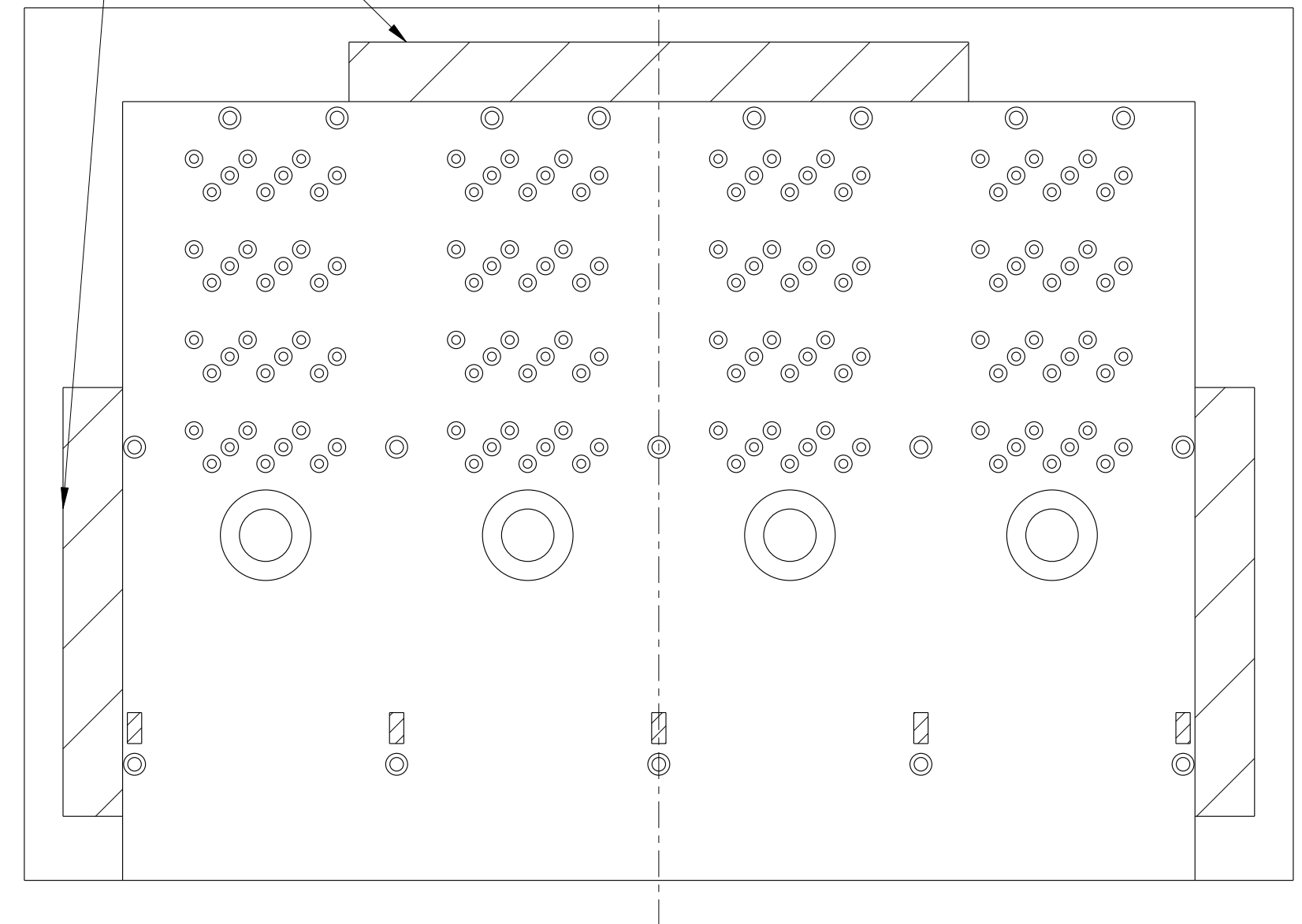
- RECOMMENDED DRILL SIZE FOR A Ø0.37 FINISHED PTH IS Ø0.457.
- RECOMMENDED ANNULAR RING AROUND Ø0.37 FINISHED PTH IS Ø0.73.
- RECOMMENDED DRILL SIZE FOR A Ø0.57 FINISHED PTH IS Ø0.68.
- RECOMMENDED ANNULAR RING AROUND A Ø0.57 FINISHED PTH IS Ø0.93.
- MINIMUM RECOMMENDED CENTER TO CENTER SPACING BETWEEN ADJACENT CONNECTORS: 47.00mm.
- CONNECTOR KEEP OUT AREA.
- MINIMUM PCB THICKNESS: 1.57mm.

spec ref	-	dr	Mark Gray	2010/08/04	projection	MM	size	A2	scale	12:1
tolerance std	ASME Y14.5	eng	David Humbert	2012/06/27	chr	-	ecn no	-	rel level	Released
surface	✓	appr	Brad Brubaker	2012/06/27	product family	-	cat. no.	10112628	rev	D
ASME Y14.5	linear	0.X	±0.25	0.XX	±0.13	0.XXX	±	angular	0°	±1/2°

# RECOMMENDED TOOLING KEEP OUT AREAS



RECOMMENDED EXTRACTION TOOL  
KEEP OUT AREA NO COMPONENTS  
IN THESE AREAS



Copyright FCI.

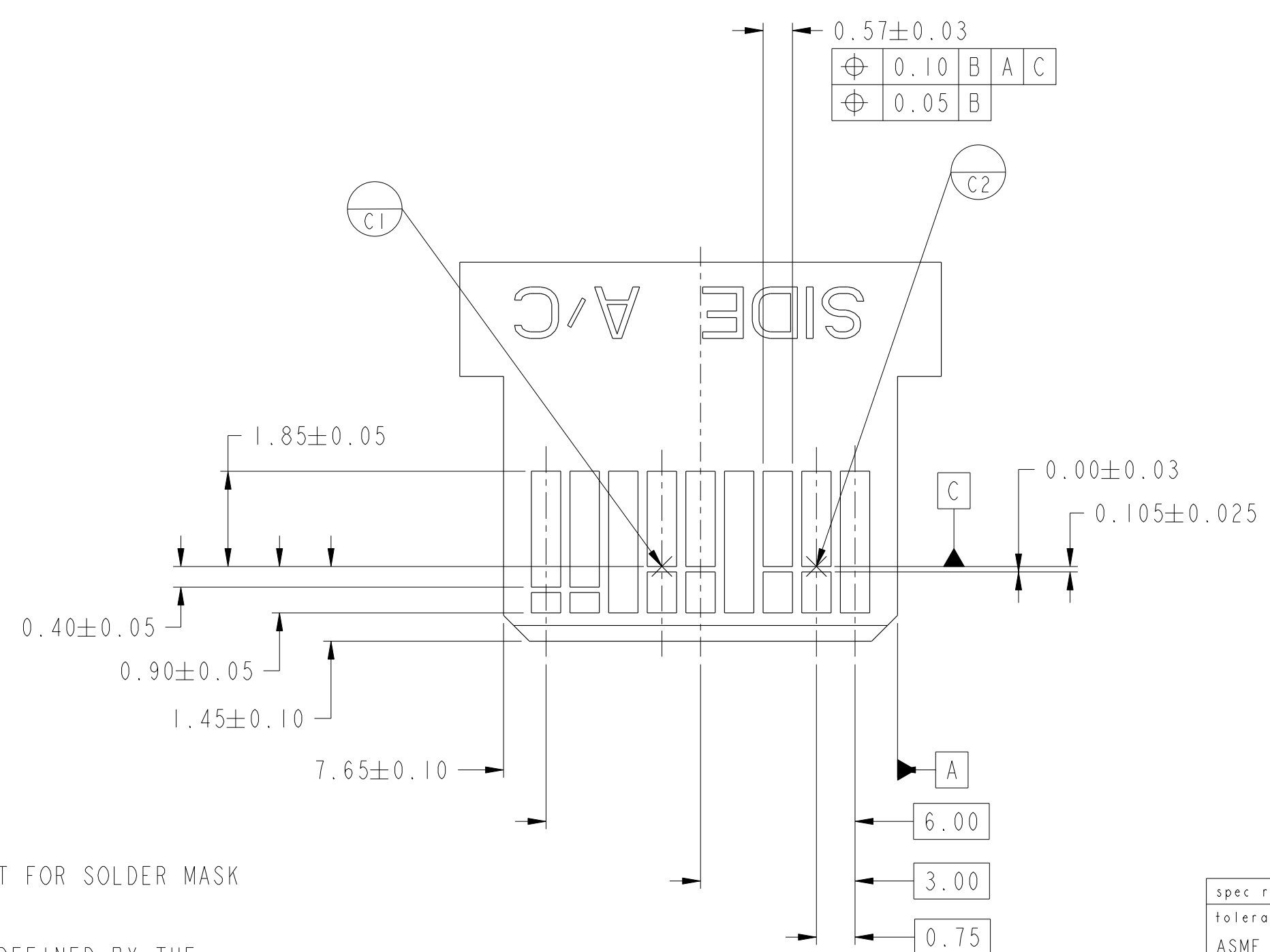
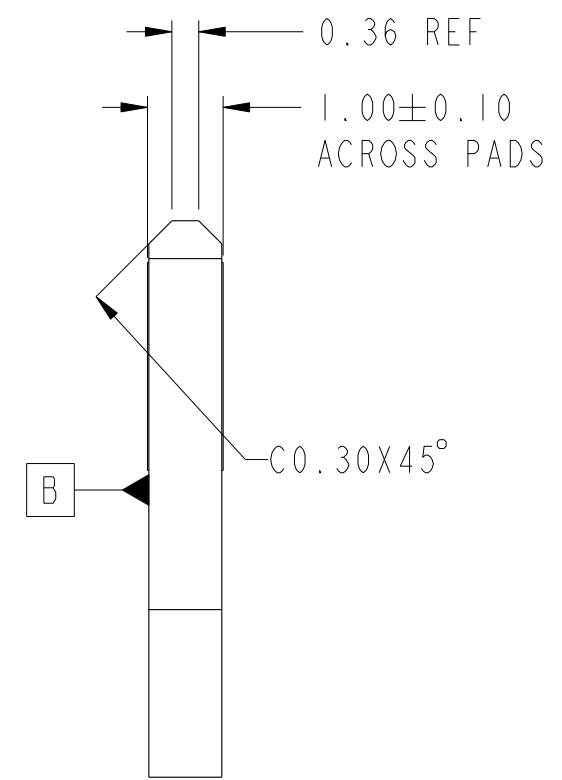
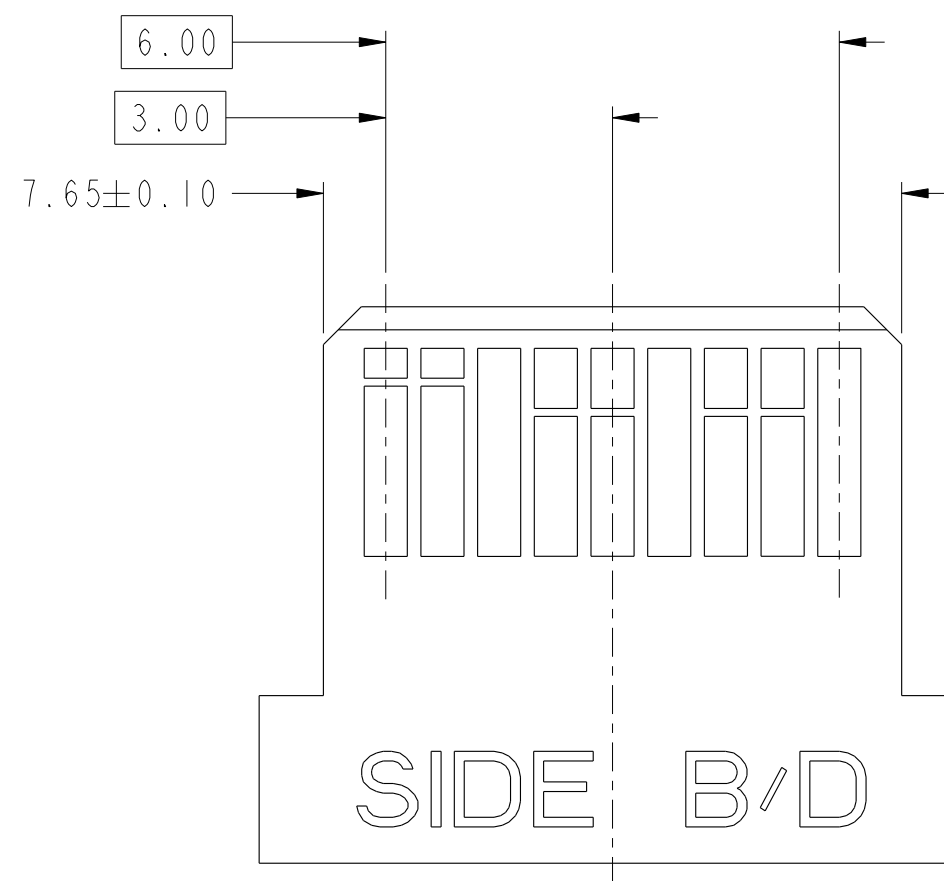
spec ref	-	dr	Mark Gray	2010/08/04	projection	MM	size	A2	scale	12:1
tolerance std	ASME Y14.5	eng	David Humbert	2012/06/27			ecn no	ELX-V-012039-1		
TOLERANCES UNLESS OTHERWISE SPECIFIED		chr	-	rel level			Released			
surface	ASME Y14.5	appr	Brad Brubaker	2012/06/27			product family	-	rel level	Released
linear	0.X	±0.25		title 1x4 EXTERNAL ASSEMBLY MINI-SAS HD	dwg no 10112628	rev D				
	0.XX	±0.13								
	0.XXX	±								
angular	0°	±1/2°	www.fci.com	cat. no.	-	Product - Customer Drw	sheet 5 of 7			

# PIN OUT DESIGNATIONS



spec ref	-	dr	Mark Gray	2010/08/04	projection	MM	size	A2	scale	12:1		
tolerance std	ASME Y14.5	eng	David Humbert	2012/06/27			ecn no	ELX-V-012039-1				
	TOLERANCES UNLESS OTHERWISE SPECIFIED	chr	-	rel level			Released					
		appr	Brad Brubaker	2012/06/27			product family	-				
surface	✓	linear	0.X	±0.25		1x4 EXTERNAL ASSEMBLY MINI-SAS HD	dwg no 10112628	rev D				
			0.XX	±0.13					cat. no.	-	Product - Customer Drw	sheet 6 of 7
		angular	0°	±1/2°								





- NOTES:
- 0.05 MINIMUM KEEP OUT FOR SOLDER MASK AROUND ALL PADS.
  - DATUM C TARGETS ARE DEFINED BY THE RESPECTIVE PAD CENTER LINES AND THE LEADING EDGE OF THE TARGET PADS.

spec ref	-	dr	Mark Gray	2010/08/04	projection	MM	size	A2	scale	12:1
tolerance std	ASME Y14.5	eng	David Humbert	2012/06/27	chr	-	ecn no	ELX-V-012039-1	rel level	Released
surface	✓	appr	Brad Brubaker	2012/06/27	product family	-	cat. no.	10112628	rev	D
ASME Y14.5	linear	0.X	±0.25	0.XX	±0.13	0.XXX	±	angular	0°	±1/2°

Copyright FCI. FCI