

4

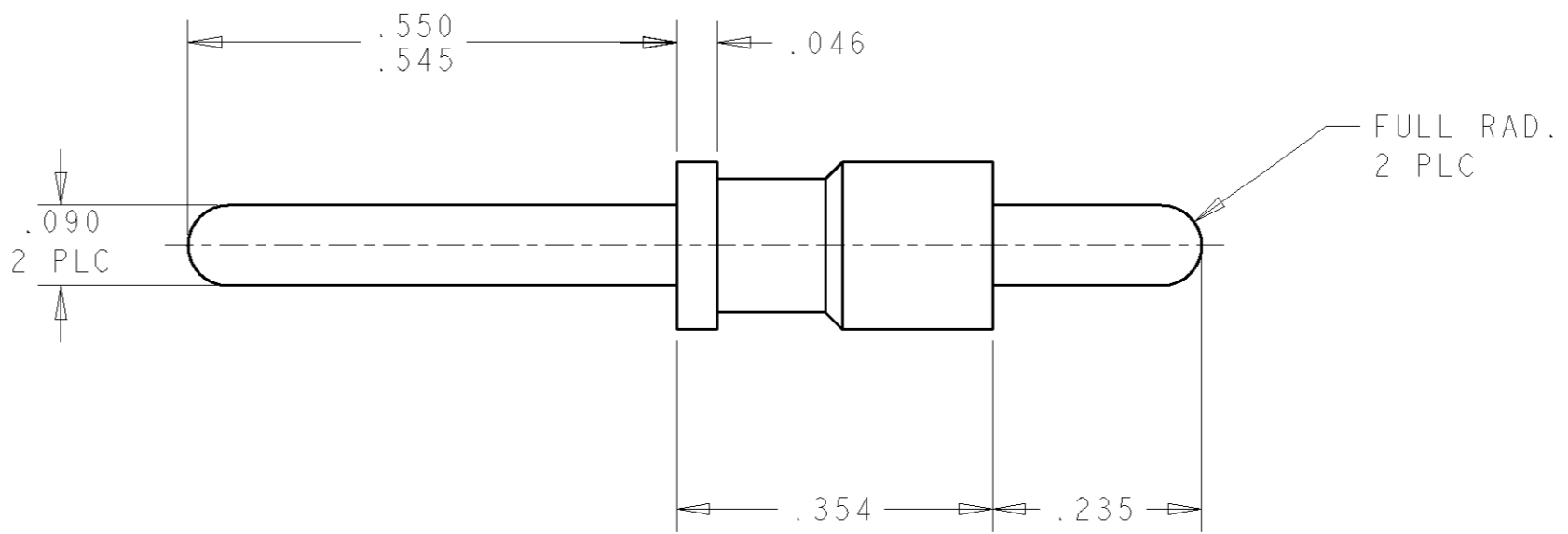
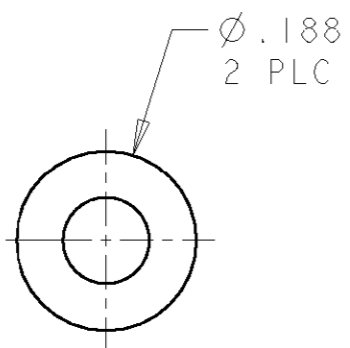
3

2

1

THIS DRAWING IS UNPUBLISHED. RELEASED FOR PUBLICATION 20  
 © COPYRIGHT 20 BY TYCO ELECTRONICS CORPORATION. ALL RIGHTS RESERVED.

LOC	DIST	REVISIONS					
GP	00	P	LTR	DESCRIPTION	DATE	DWN	APVD
			A	RELEASED	15FEB2006	RG	SF
			B	REV PER ECO-07-019622	15AUG2007	JP	DO



1. SHIPPING PACKAGE SHALL BE MARKED WITH PART NUMBER AND MANUFACTURING DATE CODE.

- 2 MATERIAL: BRASS
- 3 FINISH: 0.0002 MIN. SILVER OVER .00005 MIN NICKEL.

AS SHOWN	1766245-1
DESCRIPTION	PART NUMBER

<small>THIS DRAWING IS A CONTROLLED DOCUMENT FOR TYCO ELECTRONICS CORPORATION. IT IS SUBJECT TO CHANGE AND THE CONTROLLING ENGINEERING ORGANIZATION SHOULD BE CONTACTED FOR THE LATEST REVISION.</small>		DWN R.GRZYBOWSKI 15FEB2006 CHK S.FLICKINGER 15FEB2006 APVD S.FLICKINGER 15FEB2006		<b>tyco</b> Tyco Electronics <b>Electronics</b> Harrisburg, PA 17105-3608	
DIMENSIONS: INCHES 		TOLERANCES UNLESS OTHERWISE SPECIFIED: 0 PLC ±- 1 PLC ±- 2 PLC ±.02 3 PLC ±.010 4 PLC ±- ANGLES ±3		NAME CONTACT, PIN, SIZE #12, PCB TAIL, 43 FRONT EXT., .23 REAR EXT. DRAWERS	
MATERIAL 2		FINISH 3		PRODUCT SPEC - APPLICATION SPEC - WEIGHT -	
CUSTOMER DRAWING				SIZE A3 CAGE CODE 00779 DRAWING NO C-1766245 RESTRICTED TO -	
				SCALE 5:1 SHEET 1 OF 1 REV B	