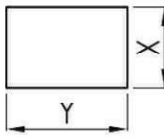
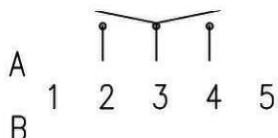
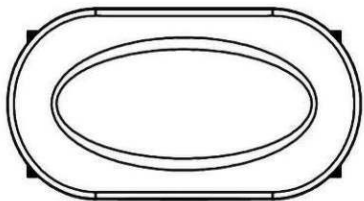
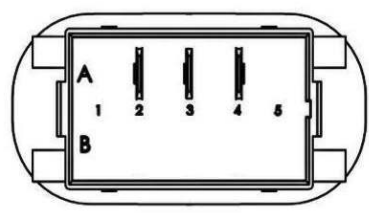
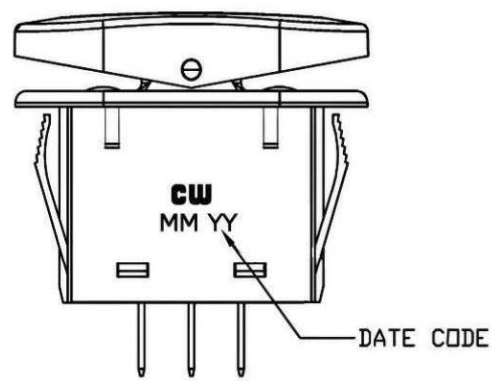
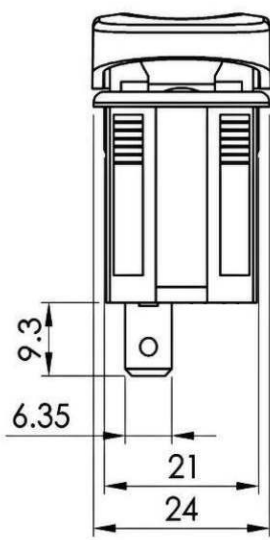
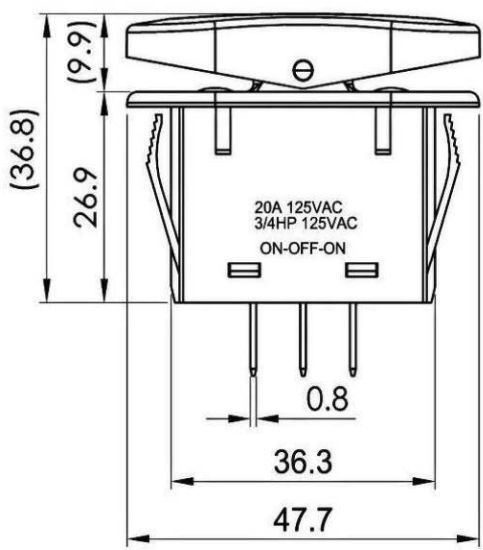


THIS INFORMATION IS CONFIDENTIAL AND PROPRIETARY TO CW INDUSTRIES INCORPORATED AND ITS AFFILIATES. IT MAY NOT BE DISCLOSED TO ANYONE, OTHER THAN CW INDUSTRIES PERSONNEL, WITHOUT WRITTEN AUTHORIZATION FROM CW INDUSTRIES INCORPORATED, SOUTHAMPTON, PENNSYLVANIA USA.

Rating	20A 125VAC 3/4HP 125VAC	Mounting Hole		Circuit Diagram	
Contact Resistance	50m ohm Max.				
Insulation Resistance	DC 500V 100M ohm Min.				
Dielectric Strength	AC 1500V 1 minute				
Operation Temperature	-20°C~85°C	Thickness	X		Y
Switch Function	3P SPDT ON-OFF-ON	0.75~1.25	21.2+0.1		36.6+0.1
		1.25~2	21.2+0.1	36.8+0.1	
		2~3	21.2+0.1	37.0+0.1	



Material:
 Frame: Black, Nylon#66
 Actuator: Black, Nylon#66+30%GF
 Printed: None
 Water proof and dust proof to fit IP-66



TOLERANCE: ±0.3mm(±0.0012inch) UNLESS OTHERWISE SPECIFIED.

RoHS Compliant

1 Removed UL Symbol from drawing & added date code view w/CW logo. 12/07/10			
Date Drawn: 3/12/09	Rev. 1	Unit: mm	Checked By: G.Guld
Title: ROCKER SWITCH		CW P/N: GRB271D1BBNN1NN	

CW INDUSTRIES
 Southampton, Pa. 18966
 Tel 215.355.7080/www.cwind.com