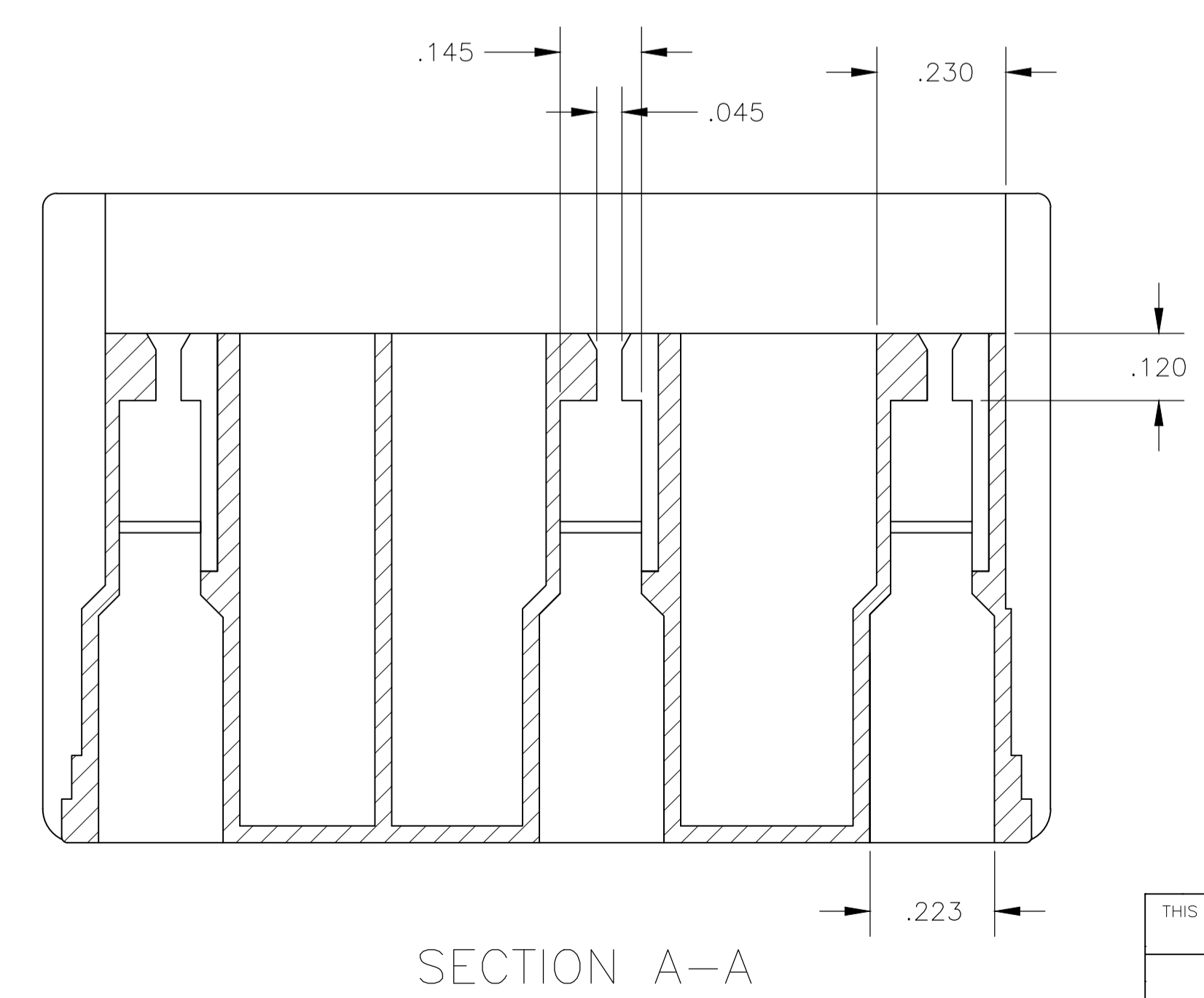
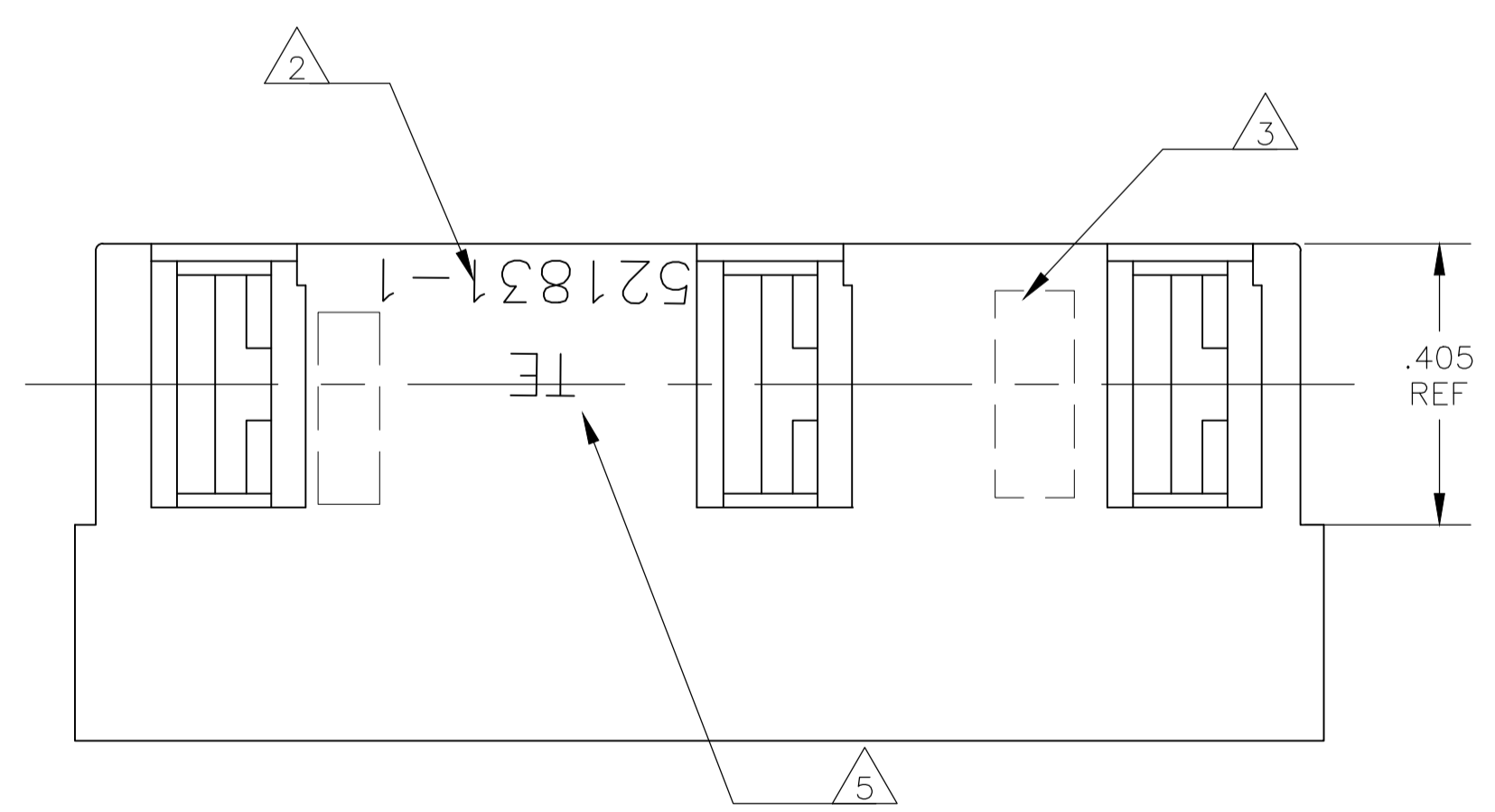
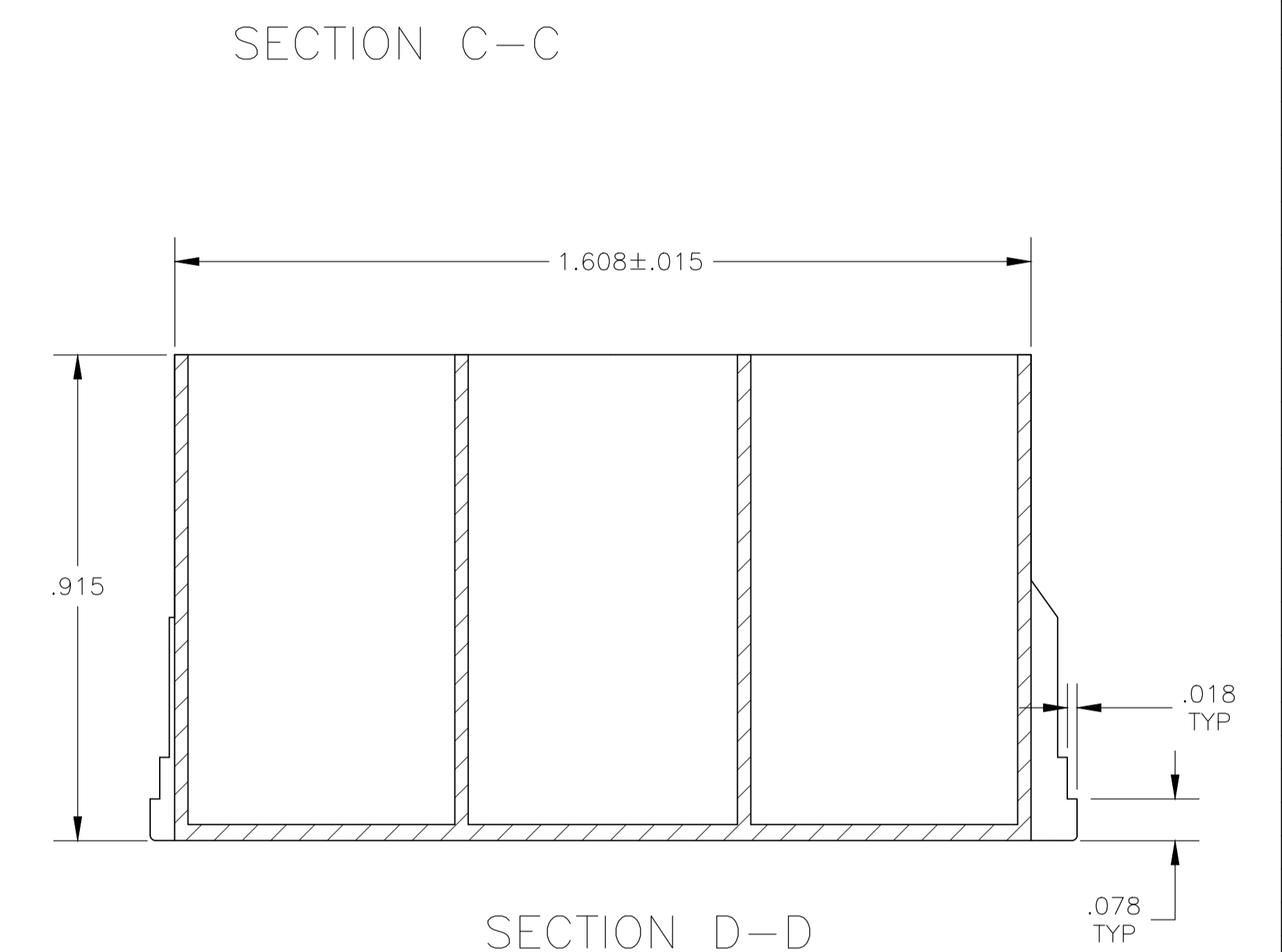
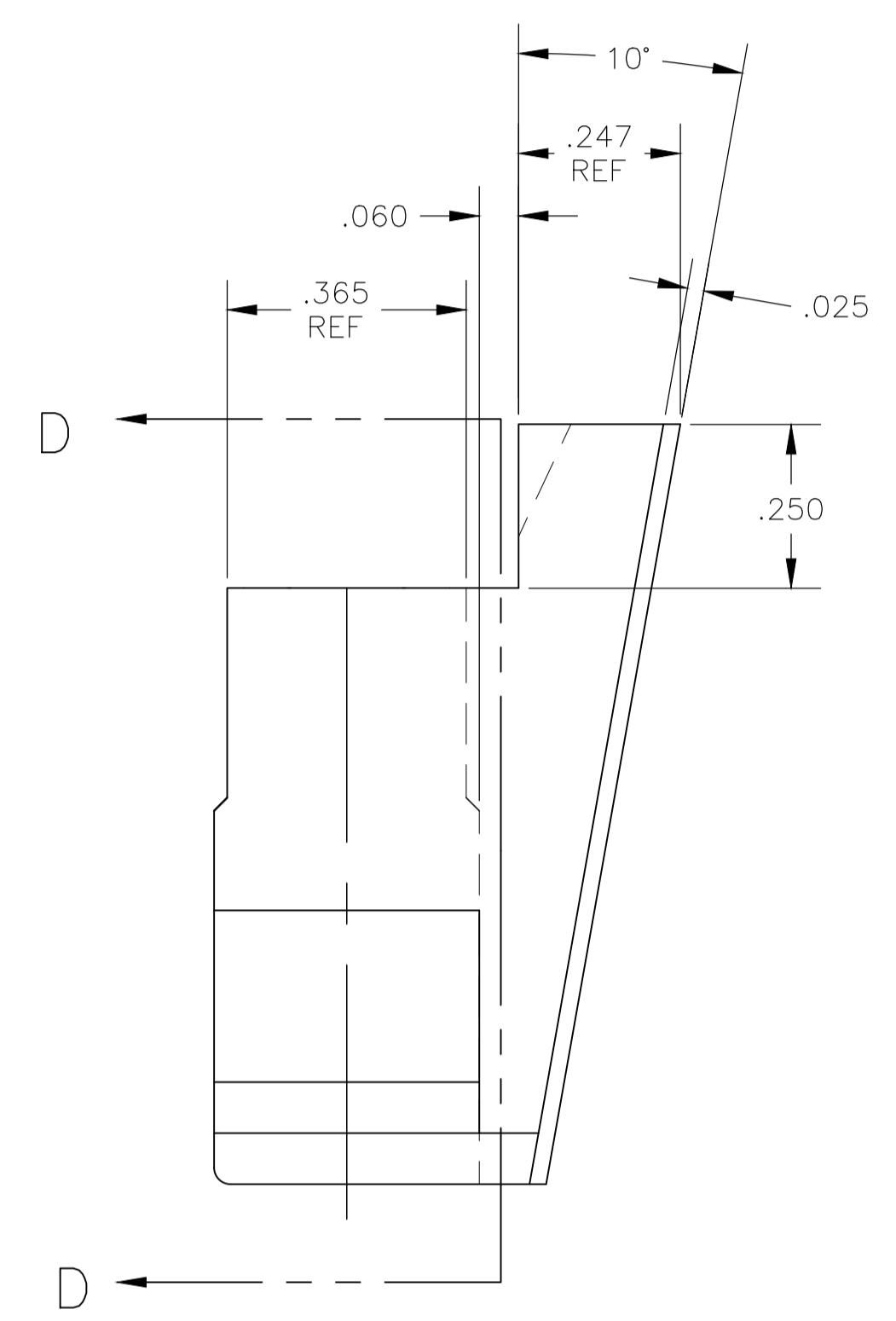
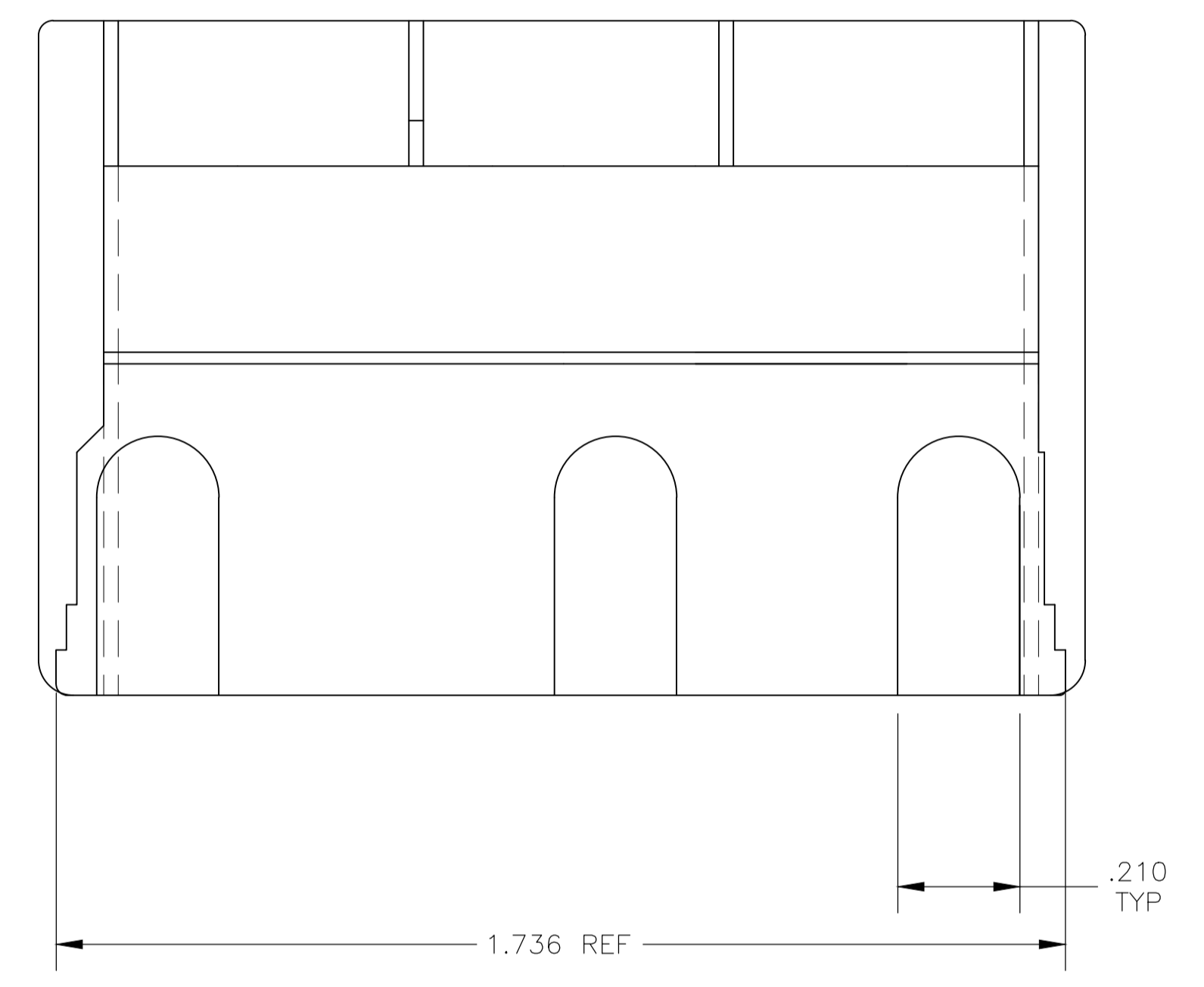
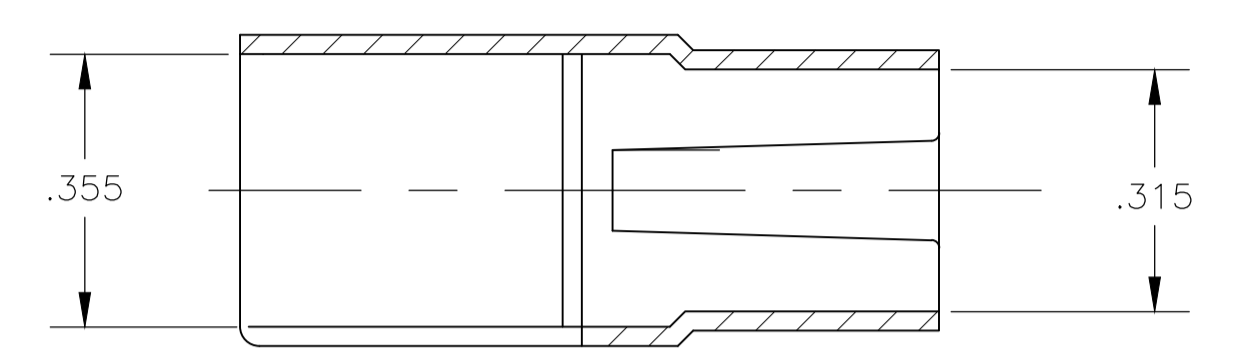
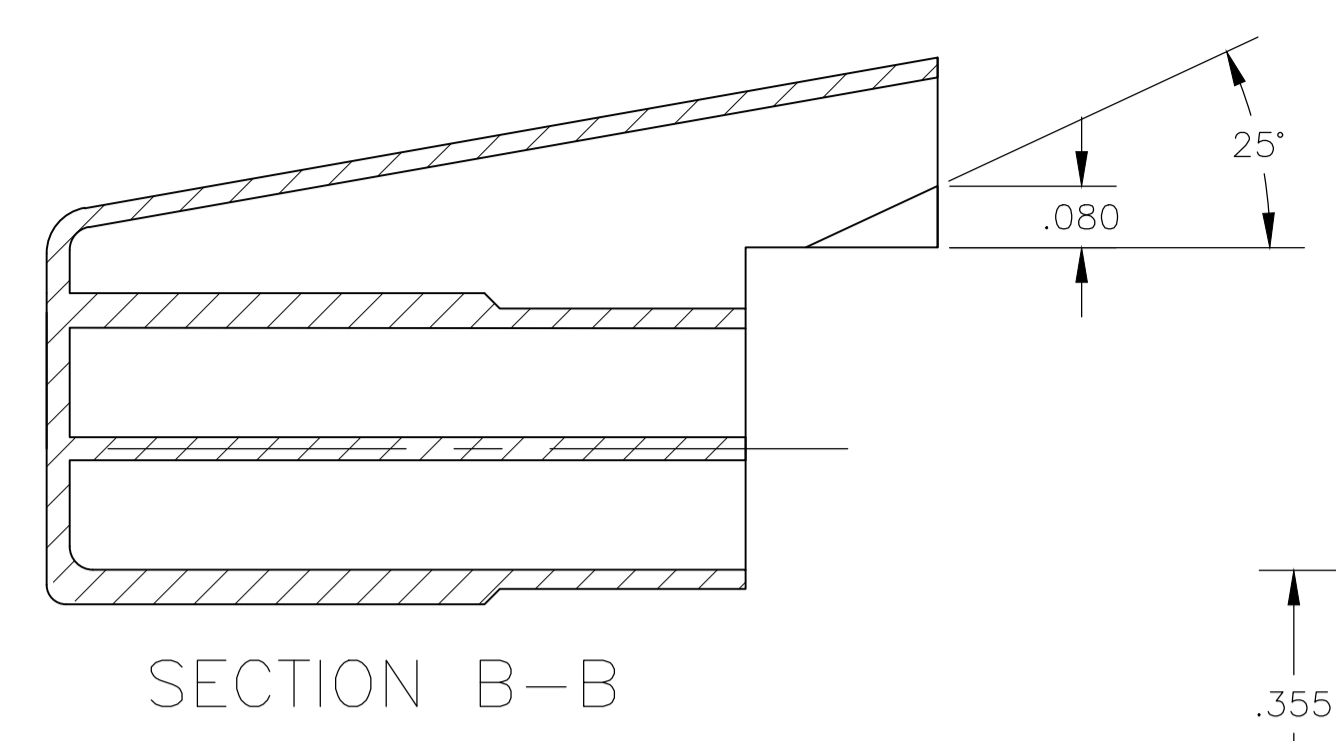
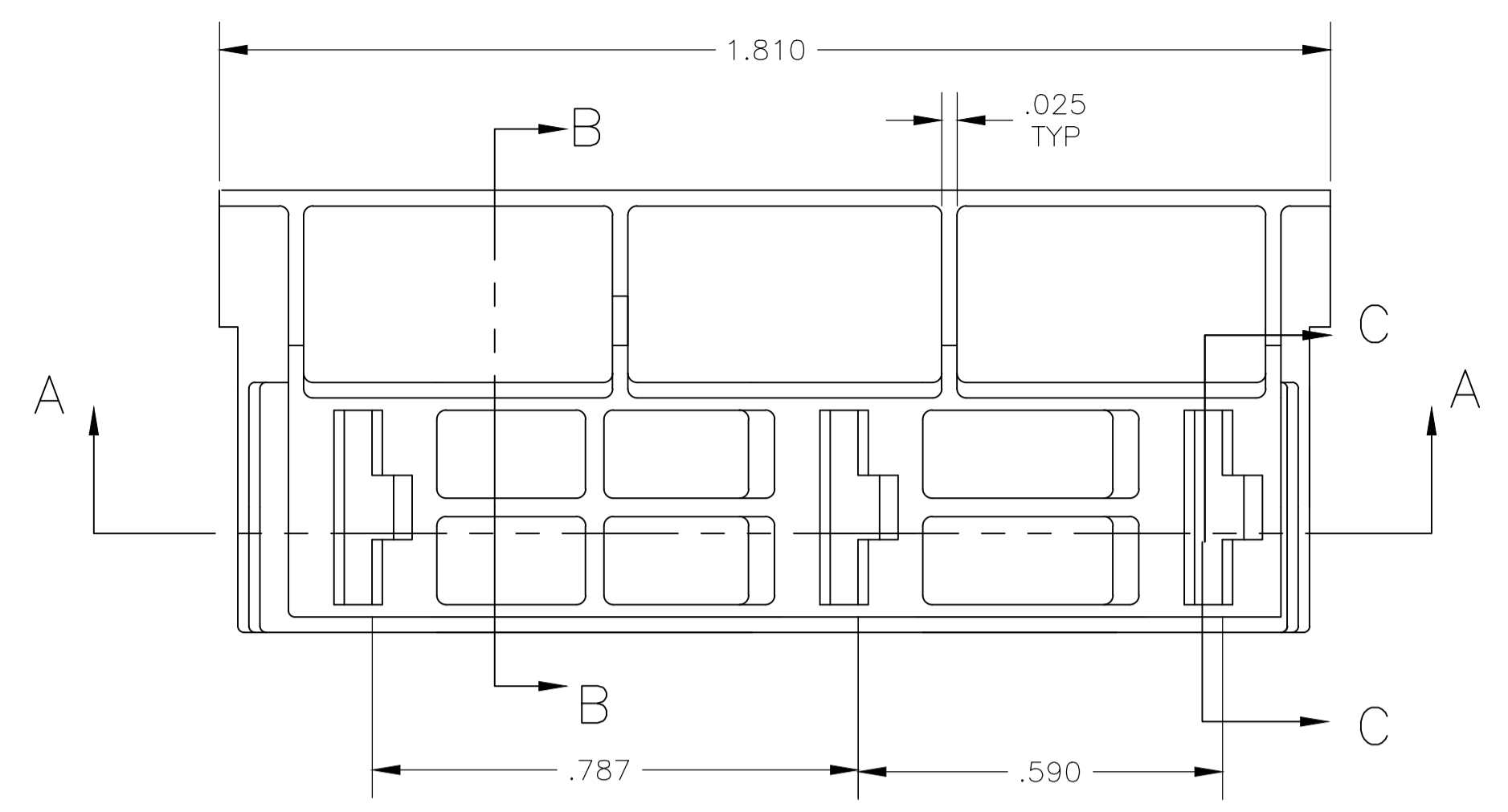


REVISIONS					
P	LTR	DESCRIPTION	DATE	DMN	APVD
D2		REVISED PER ECR-20-005966	15OCT2020	SS	EW



- 1 ALL 3 INTERNAL CAVITY ARE IDENTICAL.
- 2 TE LOGO, SIZE AND LOCATION APPROX AS SHOWN
- 3 DFE SYMBOL >PA66/6<, LOCATED APPROX AS SHOWN.
- 4 PART TO BE USED WITH TERMINAL 1742291-1
- 5 TE P/N, LOCATED APPROX AS SHOWN

OBSOLETE

OBSELETE 521831-1
PART NO

THIS DRAWING IS A CONTROLLED DOCUMENT.		DIN jr_ruth 28JUN05		TE Connectivity	
DIMENSIONS: INCHES		TOLERANCES UNLESS OTHERWISE SPECIFIED:		APVD K RANDOLPH 28JUN05	
0 PLC ± -		1 PLC ± -		NAME HOUSING, RECEPTACLE, FASTIN-FASTON, .250 SERIES, 3 POSITION	
1 PLC ± -		2 PLC ± -		PRODUCT SPEC	
2 PLC ± -		3 PLC ± .010		APPLICATION SPEC	
3 PLC ± -		4 PLC ± -		SIZE A1	
4 PLC ± -		ANGLES ± 1°		CAGE CODE 00779	
MATERIAL 66/6 NYLON, VD		FINISH COLOR - WHITE		DRAWING NO 521831	
WEIGHT -		RESTRICTED TO -		CUSTOMER DRAWING	
SCALE 1:1		SHEET 1 OF 1		REV D2	