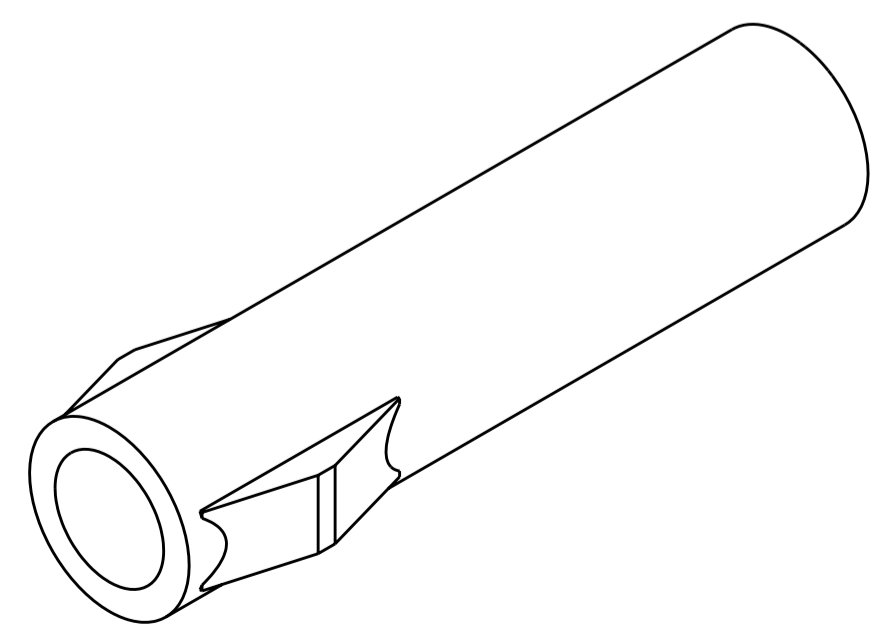
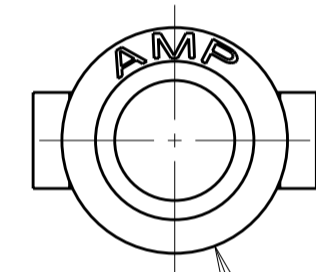
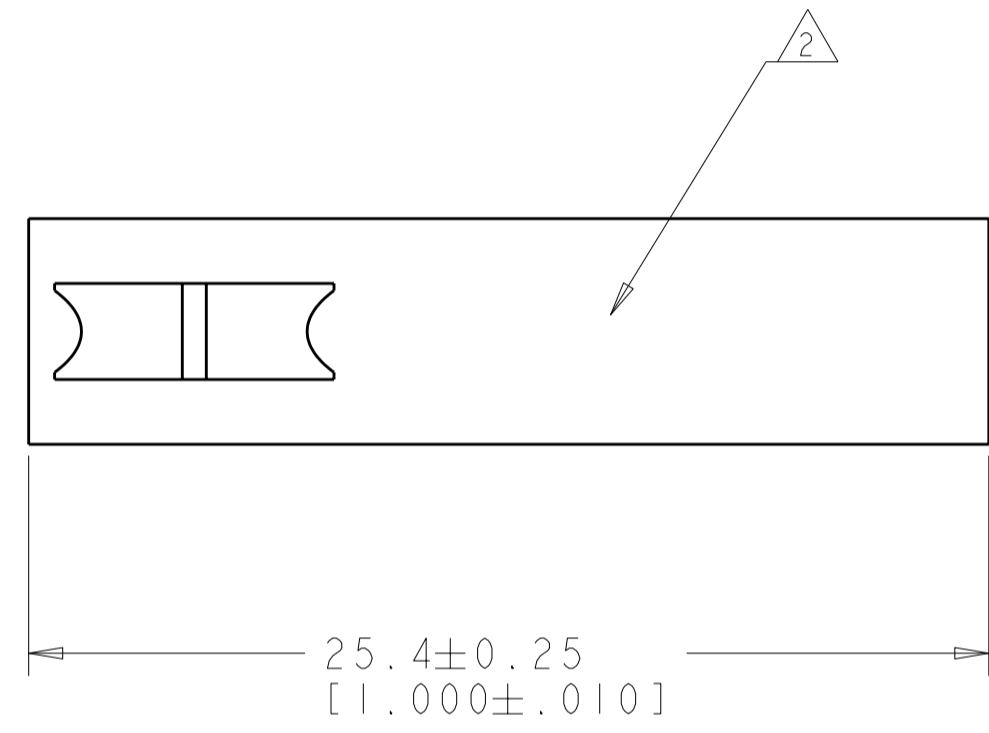
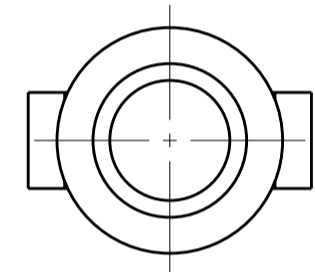


THIS DRAWING IS UNPUBLISHED. RELEASED FOR PUBLICATION 20  
 © COPYRIGHT 20 BY TYCO ELECTRONICS CORPORATION. ALL RIGHTS RESERVED.

LOC	DIST	REVISIONS			
P	LTR	DESCRIPTION	DATE	DWN	APVD
CM	00	E1	REVISED PER ECR-10-007128	14JUN2010	HMR KR

- ① MATERIAL - NYLON UL 94V-2 (NATURAL).
- ② MARKING FOR UL LOGO AND CSA LOGO LOCATED APPROXIMATELY AS SHOWN
- ③ MATERIAL - NYLON UL 94V-0 (NATURAL).



**METRIC**

③	.024 IN <sup>3</sup>	770063-2
①	.024 IN <sup>3</sup>	770063-1
MATERIAL	VOLUME	PART NUMBER

<small>THIS DRAWING IS A CONTROLLED DOCUMENT FOR TYCO ELECTRONICS CORPORATION. IT IS SUBJECT TO CHANGE AND THE CONTROLLING ENGINEERING ORGANIZATION SHOULD BE CONTACTED FOR THE LATEST REVISION.</small>		DWN 28AUG2007 K. WHITAKER CHK 28AUG2007 C. CASH APVD 28AUG2007 C. CASH	Tyco Electronics Harrisburg, PA 17105-3608
DIMENSIONS: mm [ INCHES ]	TOLERANCES UNLESS OTHERWISE SPECIFIED: 0 PLC ±- 1 PLC ±- 2 PLC ±0.13 [.005] 3 PLC ±- 4 PLC ±- ANGLES ±- FINISH	PRODUCT SPEC APPLICATION SPEC WEIGHT	NAME RECEPTACLE, 1 CIRCUIT, .093 COMMERCIAL PIN AND SOCKET
MATERIAL SEE TABLE	CUSTOMER DRAWING	SIZE A200779	CAGE CODE C-770063
		SCALE 5:1	SHEET 1 OF 1 REV E1