

Messrs. Digi-Key

Issue No. : PC-02-063

Date of issue : November 15, 2002

Classification : New Change Renewal

Delivery Specification

Product Description : Balun

Product Part Number : EHF2BD2450

Classification of Spec : Individual Product Specification

Applications : Cellular phone

For other applications, contact the undersigned in advance.

Term of Validity : November 14, 2007 from the date of issue.

| | |
|---|------------------|
| CUSTOMER USE ONLY | Receipt Record#: |
| This was certainly received by us. 1(one) copy is being returned to you. | Date of receipt: |
| | Received by: |
| | Title: |
| | Dept.: |

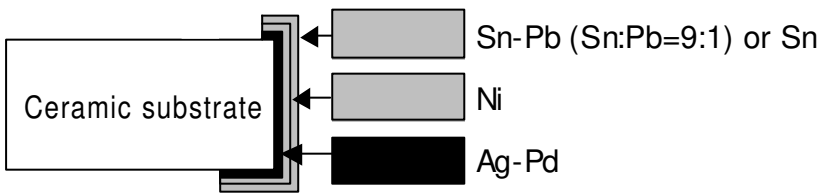
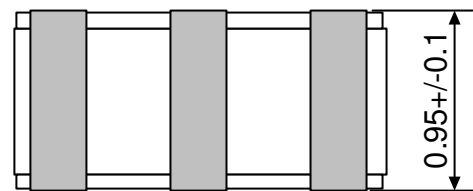
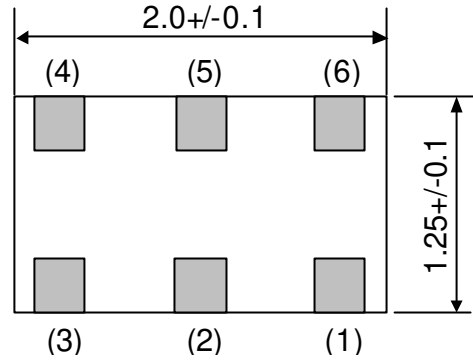
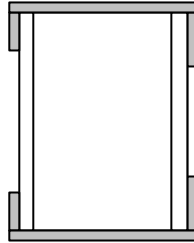
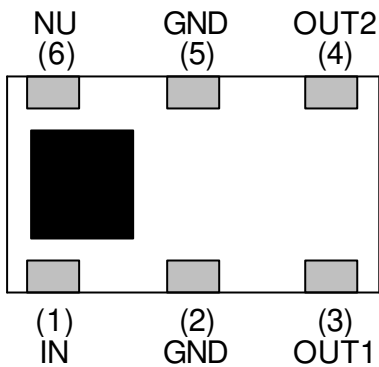
Matsushita Electronic Components Co., Ltd.
Network Device Company
Module Strategic Business Unit
Engineering Group HFD Team
992-1 Aiba Ohno-cho Ibi-gun Gifu 501-0598 JAPAN
Tel: +81-0585-36-2322
Fax: +81-0585-36-2344

| | |
|---------------|--------------------------|
| Prepared by | : H. Ito |
| Checked by | : M. Mizuno |
| Authorized by | : M. Mizuno |
| Title | : Manager of Engineering |

[Shape, appearance, dimension] Unit: mm

<Top view>

<Bottom and side view>



Note 1) "typ" is used where no dimensional tolerance applies.

| Item | Description |
|-----------------------------|--|
| Appearance/ construction | Product surface shall be covered with a protective film, which does not easily separate nor present noticeable unevenness, scratches, pinholes, color changes etc. |
| | Terminals shall ensure practically acceptable quality. |
| | Substrate shall be as shown in the drawing with no excessive chippings, scratches, burrs, or cracks. |
| Marking | Shall be legible in black (with printing paste). |
| Remarks | ■ marked side for pin 1. |

| | | | | | |
|-------------------------------|-------|------------------------|-----------|--------|------------------------------------|
| Balun | | Delivery Specification | | | EHF2BD2450 Appearance |
| Enact. Date November 15, 2002 | P.S.M | Approval | Check | Plan | |
| Enfo. Date November 15, 2002 | ----- | M. Mizuno | M. Mizuno | H. Ito | Drawing No. 151-EHF-2BD2450 9-1 |

[Absolute maximum ratings]

| No. | Item | Symbol | Rating | Unit | Remarks |
|-----|-----------------------|--------|-----------|------|-------------------|
| 1 | Maximum input power | Pmax | 100 | mW | DC voltage is 0V. |
| 2 | Operating temperature | Topr | -30...+85 | degC | |
| 3 | Storage temperature | Tstg | -40...+85 | degC | |

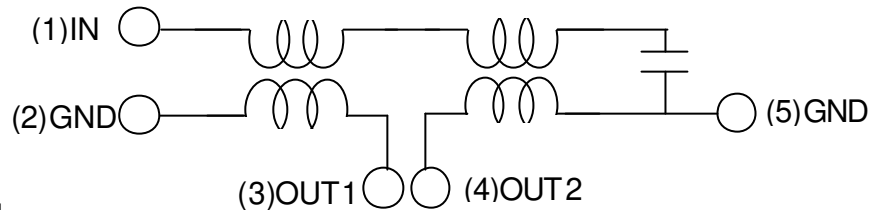
Note: This component cannot apply a DC Bias.

[Electrical characteristics]

T=-30...+85degC

| No. | Item | Test Circuit | Specification | | | Unit |
|-----|-------------------------------|--------------|---------------|------|------|------|
| | | | Min. | Typ. | Max. | |
| 1 | Frequency | - | 2400 | - | 2500 | MHz |
| 2 | Insertion loss (Back to back) | Fig-2 | - | - | 1.0 | dB |
| 3 | Unbalance impedance | - | - | 50 | - | ohm |
| 4 | Balance impedance | - | - | 50 | - | ohm |
| 5 | Unbalance port VSWR | Fig-1 | - | - | 2.0 | - |
| 6 | Amplitude balance | Fig-1 | -1.5 | - | 1.5 | dB |
| 7 | Phase balance | Fig-1 | 165 | 180 | 195 | deg |

[Internal circuitry]



[Measuring circuit]

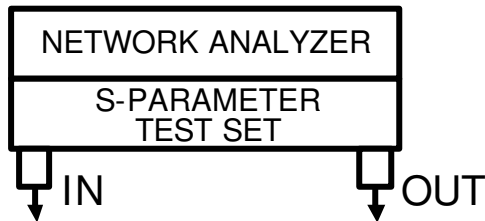
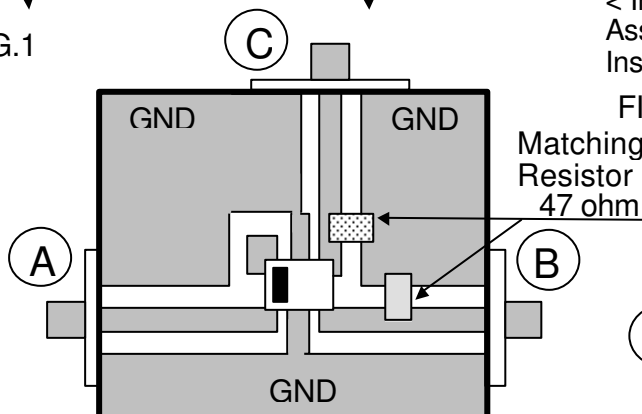


FIG.1



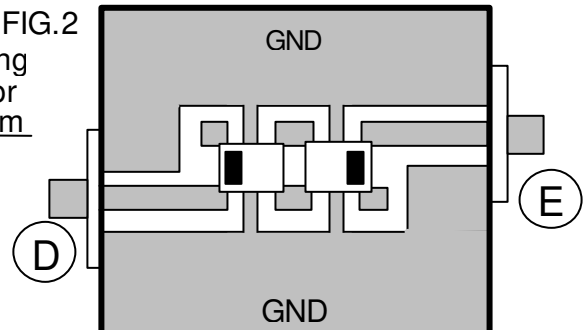
< Phase balance measurement >

- Phase1
A=IN, B=OUT, C=Terminal resistor (50 ohm)
- Phase2
A=IN, C=OUT, B=Terminal resistor (50 ohm)
- Phase balance
Phase balance=Phase1-Phase2

< Insertion loss measurement >

Assuming the loss as "Loss" when D=IN, E=OUT
Insertion loss for a device is "Loss"/2

FIG.2



Balun

Delivery Specification

EHF2BD2450

Enact. Date November 15, 2002

P.S.M

Approval

Check

Plan

Specification and measurement

Enfo. Date November 15, 2002

M. Mizuno

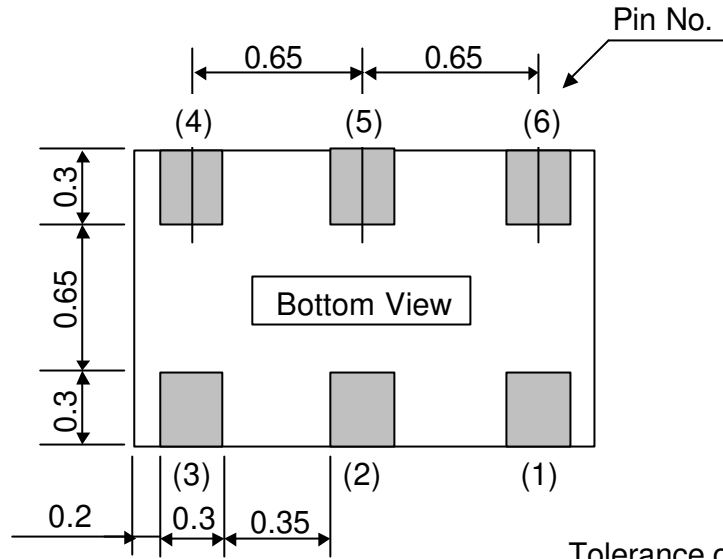
M. Mizuno

H. Ito

Drawing No.
151-EHF-2BD2450 9-2

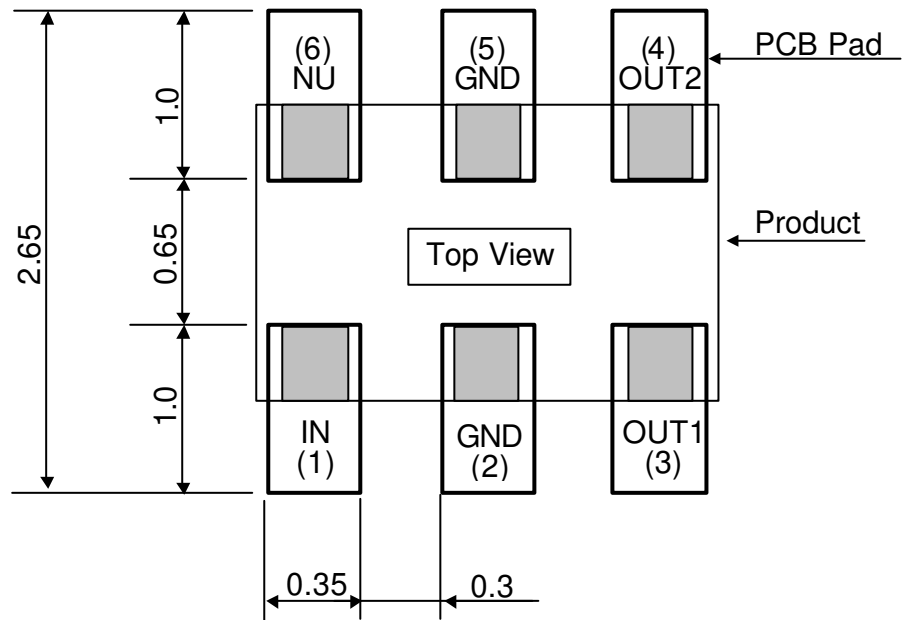
[Terminal dimensions] Unit: mm

<Bottom>



Tolerance of Terminal dimensions : +/-0.15

[Recommended PCB pad dimensions] Unit: mm



Balun

Delivery Specification

EHF2BD2450

Enact. Date November 15, 2002

P.S.M

Approval

Check

Plan

Terminals/Recommended lands

Enfo. Date November 15, 2002

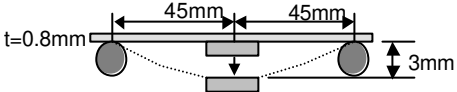
M. Mizuno

M. Mizuno

H. Ito

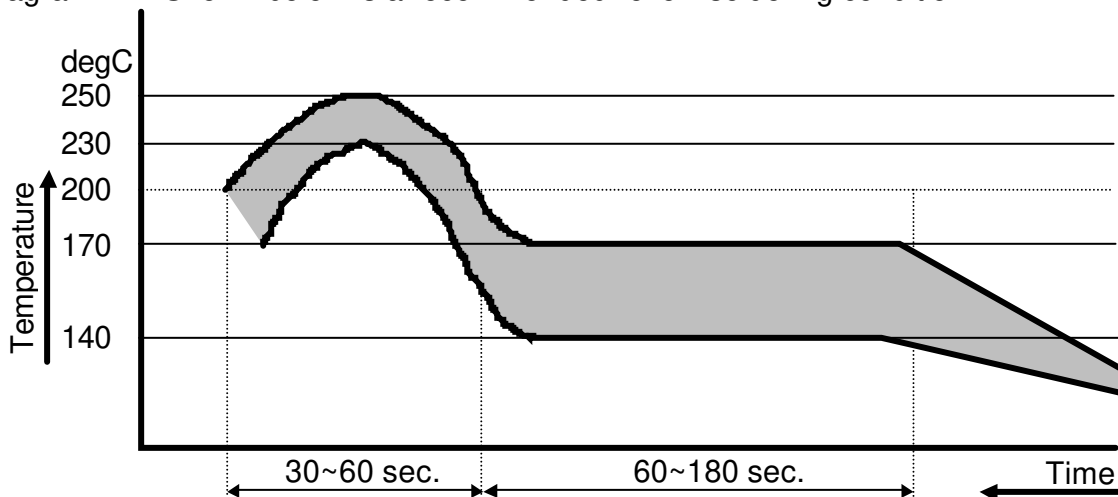
Drawing No.
151-EHF-2BD2450 9-3

[Quality characteristics]

| Test item | Test condition | Judgment criteria |
|--|--|---|
| High temperature | +85degC, 1000h | No abnormality shall be observed in appearance or electrical characteristics. |
| Low temperature | -40degC, 1000h | |
| High-temperature high-humidity storage | +60degC, 90%RH, 1000h | |
| Pressure Pot | +121degC, 99%RH, 2.026x10 ⁵ Pa, 100h | |
| Temperature cycling | -40...+85degC, Each 30 min., 200cy | |
| Vibration | 10...500Hz, 10G, in each direction of XYZ, 2h30min. | |
| Impact | 100G, 6mS, Half sinusoidal wave, in each direction of XYZ, 3 times | |
| Shock (Drop) | 1.8m, 6 facesx6cy(36 times with 100g Dummy Load) | |
| Electro static discharge | 200pF, 0 ohm, +/-200V, Each 5 times | |
| Soldering heat resistance | Manual hot gas: 260+/-10degC, 30 sec., 2 times | Over 90% of the terminal surface shall be covered with solder. |
| | Soldering iron: 260+/-10degC, 3 sec., 2 times | |
| | Reflow: 260degC peak, 2 times | |
| Solder ability | Solder bath: 235+/-5degC, 2 sec. | Over 95% of the terminal surface shall be covered with solder. |
| | Reflow: 230degC | |
| Board warping | Assemble this component on a PC board with 0.8mm thickness using the recommended soldering condition shown below, and apply a bending force of 3mm warping at a rate of 1mm/sec. 5 seconds and 5 times.  | There should not be any cracks in the component or solder joints, no abnormality in electrical characteristics. |
| Terminal removal | Solder a component on a PC board using the recommended condition shown below and then press the component sideways at 1mm/sec. Destruction limit 9.8N or greater. | |
| Seating plane co-planarity | Within 0.1mm | |

< Recommended soldering condition >

Diagram1 Shown below is a recommended reflow soldering condition.



| | | | | | |
|-------------------------------|-------|------------------------|-----------|--------|---------------------------------------|
| Balun | | Delivery Specification | | | EHF2BD2450 Quality Characteristics |
| Enact. Date November 15, 2002 | P.S.M | Approval | Check | Plan | |
| Info. Date November 15, 2002 | ---- | M. Mizuno | M. Mizuno | H. Ito | Drawing No. 151-EHF-2BD2450 9-4 |

[Cautions for use]

- (1) Operating a product over the maximum rating for even a moment may result in a product failure or breakage. Never use a product in such a condition that it may cause a safety problem.
- (2) Opening or short-circuiting the product terminals or inserting a product in the reverse orientation while power is being supplied may cause a breakage. Always avoid such circumstances.
- (3) Operations in a corrosive gas atmosphere or improper environments such as high-temperature, high-humidity or dewy conditions may lead to product performance deterioration, a breakage, a change in appearance etc. Please avoid such conditions, as they are unsafe.
- (4) Always ground the soldering iron or soldering bath used for assembly operation to avoid any excessive voltage applied to a product.
- (5) After soldering with solder bridges, incomplete soldering or in the reverse orientation, supplying power may result in a product breakage. Please confirm the soldered condition before supplying power to the product.
- (6) Excessive stress on the terminals may cause a contact failure or performance deterioration. Please use caution.
- (7) Please provide a fail-safe provision in the product you design by taking any failure of our product into consideration.
- (8) This product does not include a DC-cutting device. Application of a DC voltage between the Balance port and the Unbalance port may cause product deterioration or breakage.

* If any question arises about the safety of this product, please contact us immediately with a request for an engineering examination.

[Remarks]

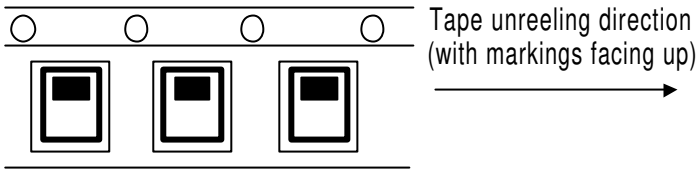
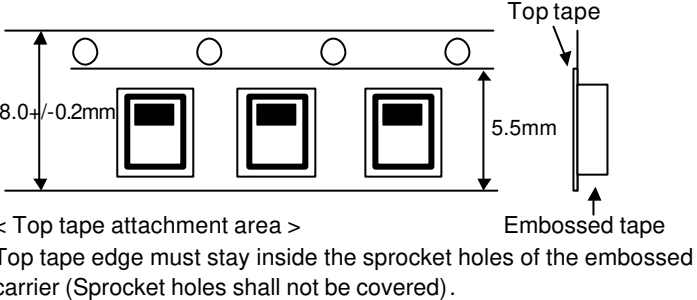

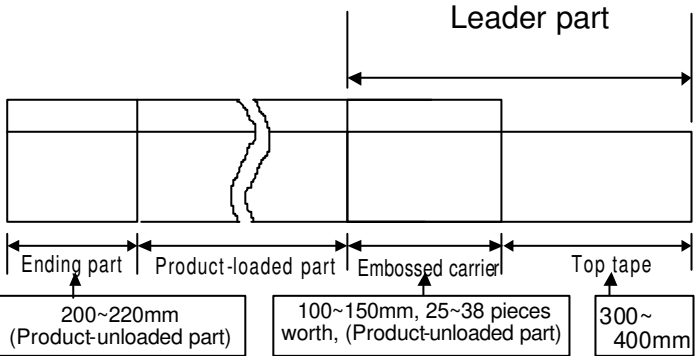
- *1: All of the materials used in this product are those listed as the existing chemical substances based on the "Law for examination and regulation of manufacture of chemical substances".
- *2: The production process of this product does not use any ozone-depleting chemicals (OZC) regulated by the Montreal Protocol.
- *3: Validity of this specification is 5 years from the date of issue, but the validity is considered on going unless any changes are made.

| | | | | | |
|-------------|-------------------|------------------------|-----------|-----------|------------------------------------|
| Balun | | Delivery Specification | | | EHF2BD2450 Cautions |
| Enact. Date | November 15, 2002 | P.S.M | Approval | Check | |
| Enfo. Date | November 15, 2002 | ----- | M. Mizuno | M. Mizuno | H. Ito |
| | | | | | Drawing No. 151-EHF-2BD2450 9-5 |

[Packaging materials]

1. Materials
- 1) Embossed carrier tape (Refer to the attachment)
 - 2) Top tape: Anti-static
 - 3) Packaging box (Refer to the attachment)
 - 4) Packaging tape, carrier-securing adhesive tape

2. Specification

| No. | Item | Condition | Remarks |
|-----|---------------------------------------|--|--|
| 1 | Reel outer diameter | Refer to the attachment. | |
| 2 | Reel inner diameter | Refer to the attachment. | |
| 3 | Reel inner width | Refer to the attachment. | |
| 4 | Quantity in a reel | 4000 pieces/reel | |
| 5 | Taping direction |  | |
| 6 | Top tape attachment position |  | Tape breaks force. Min. 10N Top cover tape strength. Min. 10N Tape peel force. 0.1...1.0N Tape peel angle. 165...180degree Reel weight. Max 1500g |
| 7 | Label attachment position |  | Indicated Item Pat No., Lot No. Quantity, Maker Country of Origin |
| 8 | Tape leader part and tape ending part |  | |
| 9 | Missing products | No missing products shall be allowed. | |
| 10 | Packaged quantity in a box | 21 reels/box (Max) | 84000 pieces/box(Max) |

| | | | | | | | | | |
|-------------------------------|--|--|--|--|------------------------|-----------|------------------------------------|--------|---------------------------|
| Balun | | | | | Delivery Specification | | EHF2BD2450 | | |
| Enact. Date November 15, 2002 | | | | | P.S.M | Approval | Check | Plan | Packaging specification 1 |
| Enfo. Date November 15, 2002 | | | | | ----- | M. Mizuno | M. Mizuno | H. Ito | |
| | | | | | | | Drawing No. 151-EHF-2BD2450 9-6 | | |

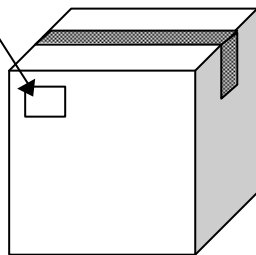
1. Method

- 1) Load products in each cavity of an embossed carrier tape, in the correct orientation, by leaving the product-unloaded part shown in Item No. 8(P9-6) of the packaging specification.
- 2) Heat-seal a top tape in good alignment on the carrier tape.
- 3) After 4000 pieces are loaded and reeled, provide a product-unloaded part at the tape-leader portion. Secure the tip of the carrier tape with a piece of adhesive tape.
- 4) Stack the reels (21 reels max.) and enclose them in a packaging box. Close the flaps with a piece of adhesive tape.
- 5) Provide markings on the packaging box.

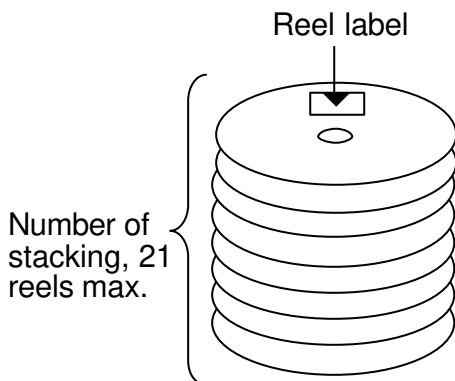
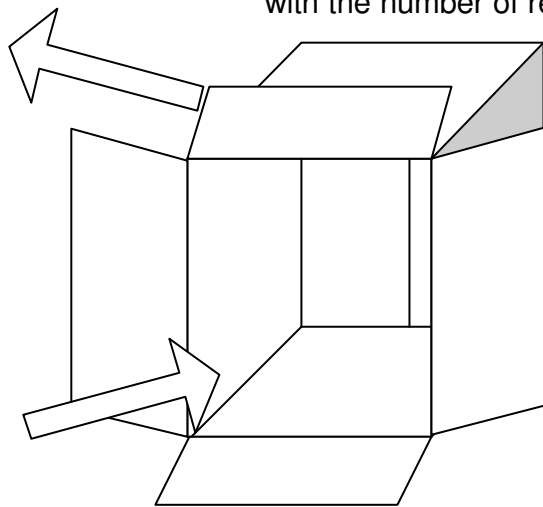
< Items to be indicated >

1. Part No.
2. Quantity
3. Lot No.
4. Manufacturer name
5. Country of origin

Marking on the packaging box



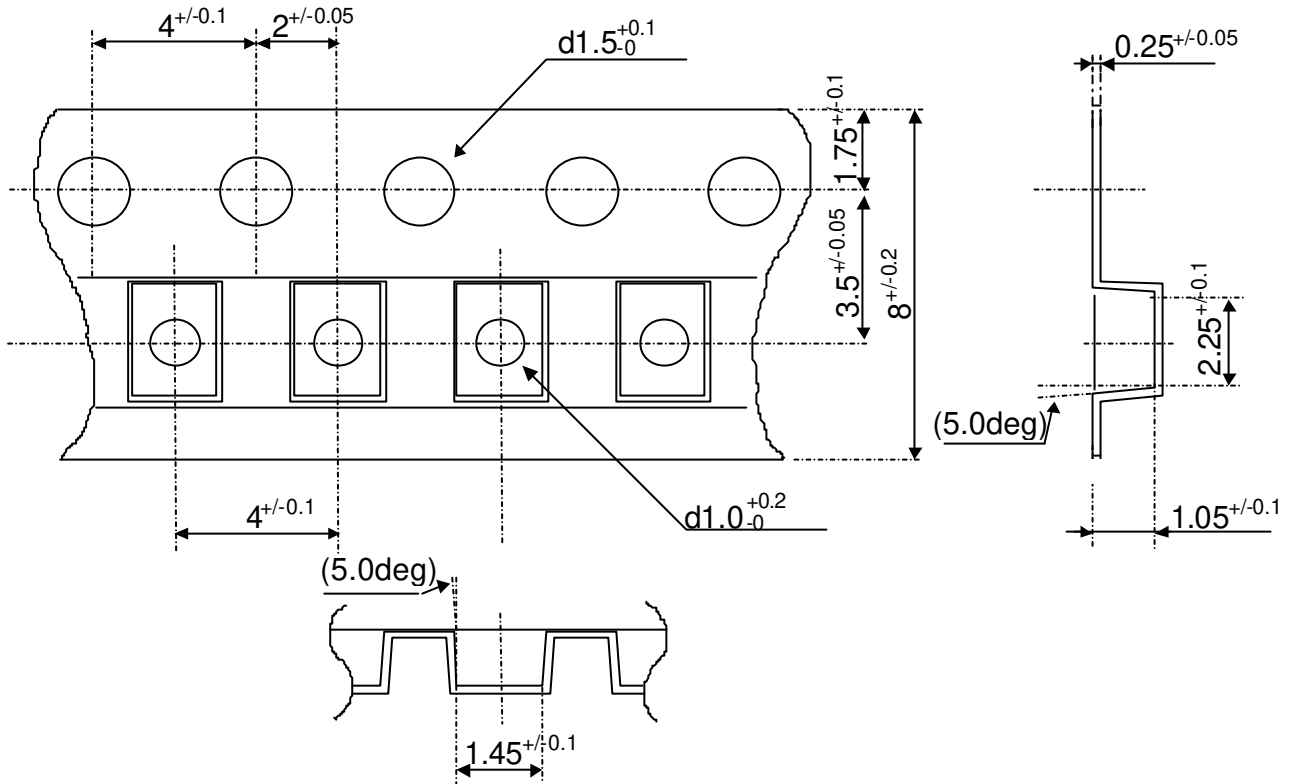
Packaging box shape varies with the number of reels enclosed.



* Insert cushion material in the empty spaces to secure reels.

| | | | | | |
|-------------------------------|-------|------------------------|-----------|--------|---|
| Balun | | Delivery Specification | | | EHF2BD2450 Packaging specification 2 |
| Enact. Date November 15, 2002 | P.S.M | Approval | Check | Plan | |
| Enfo. Date November 15, 2002 | ----- | M. Mizuno | M. Mizuno | H. Ito | Drawing No. 151-EHF-2BD2450 9-7 |

[Embossed tape dimensions] Unit: mm



<Remarks>

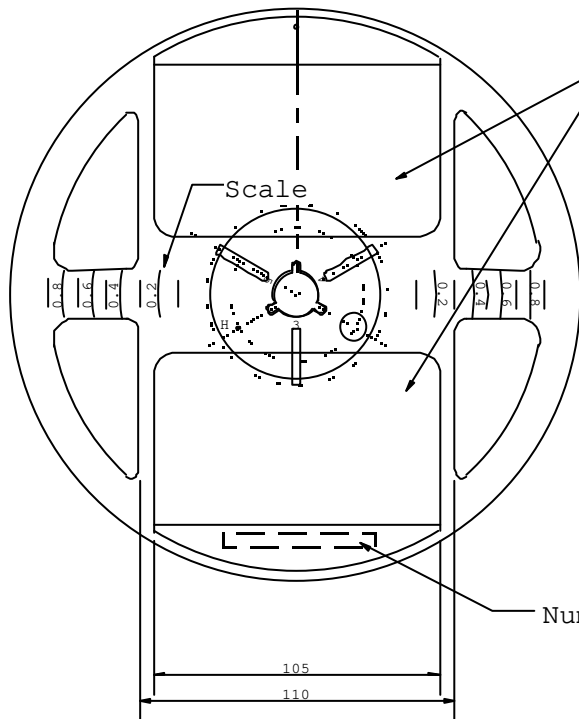
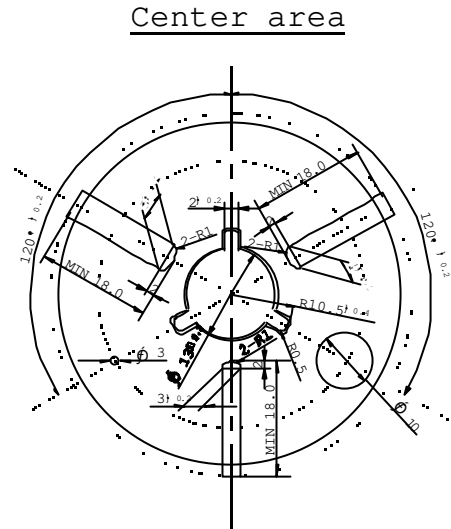
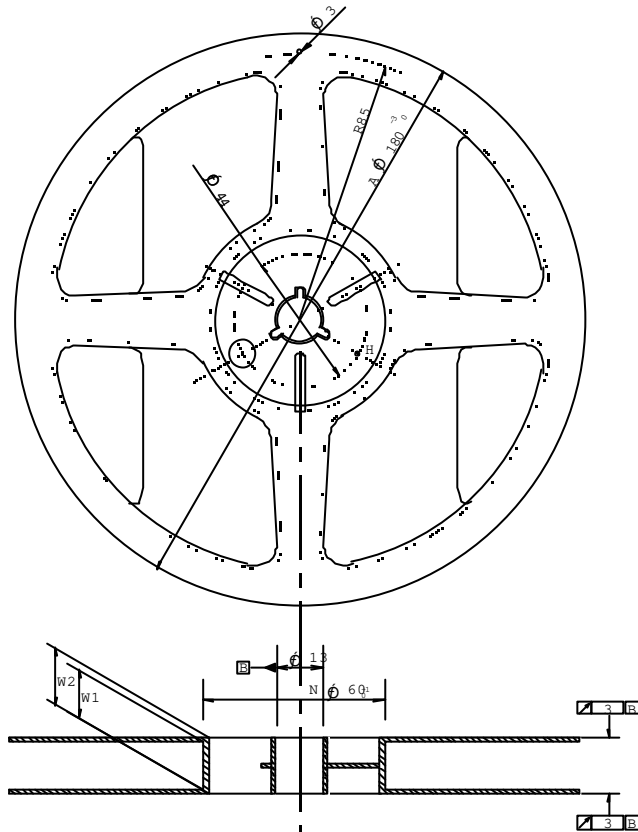
- (1) Unspecified corner radius shall be 0.3mm max.
- (2) Cumulative pitch error of sprocket holes shall be $+/-0.2$ mm for 10 pitches.

| | | | | | |
|-------------------------------|-------|------------------------|-----------|--------|---|
| Balun | | Delivery Specification | | | EHF2BD2450 Packaging specification 3 |
| Enact. Date November 15, 2002 | P.S.M | Approval | Check | Plan | |
| Enfo. Date November 15, 2002 | ---- | M. Mizuno | M. Mizuno | H. Ito | Drawing No. 151-EHF-2BD2450 9-8 |

[Reel dimensions] Unit: mm

(1) This reel conforms to EIAJ-RRM-08B based on EIAJ standard.

(2) Material: PS (Polystyrene)



Label
105...50

Scale

Rim , Hub

| Rim A | Hub N |
|--------------------------------|-------------------------------|
| 180 ⁰ ₋₃ | 60 ⁺¹ ₀ |

Inner width , Outer width

| Tape width | Inner width W1 | Outer width W2 |
|------------|----------------|----------------|
| 8 | 9+/-0.3 | 11+/-1.0 |

Number

| Balun | | Delivery Specification | | | EHF2BD2450 Packaging specification 4 |
|-------------------------------|-------|------------------------|-----------|--------|---|
| Enact. Date November 15, 2002 | P.S.M | Approval | Check | Plan | |
| Enfo. Date November 15, 2002 | ---- | M. Mizuno | M. Mizuno | H. Ito | Drawing No. 151-EHF-2BD2450 9-9 |