

4

3

2

1

THIS DRAWING IS UNPUBLISHED.

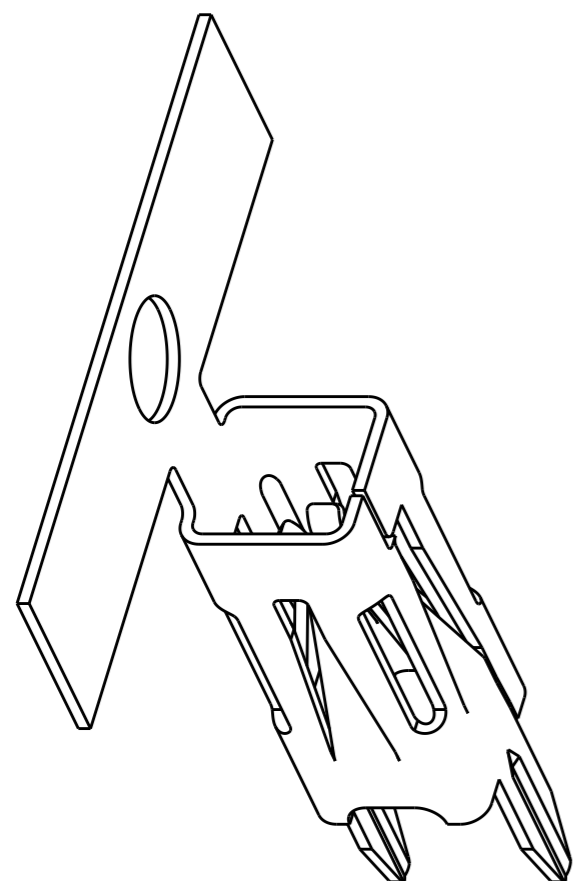
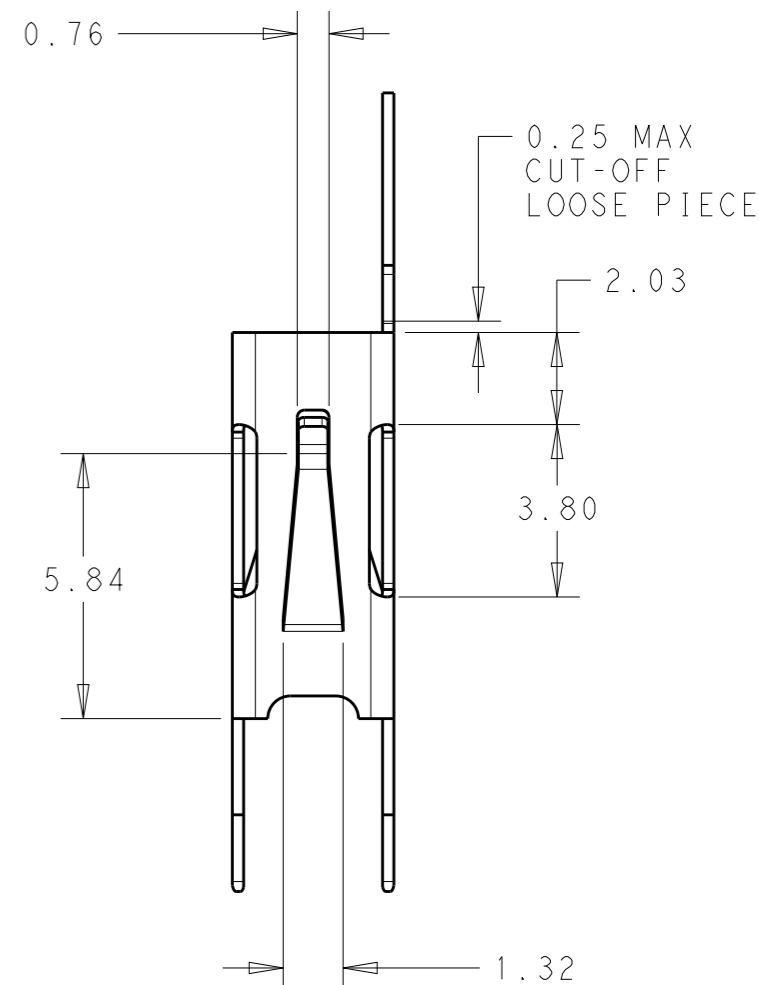
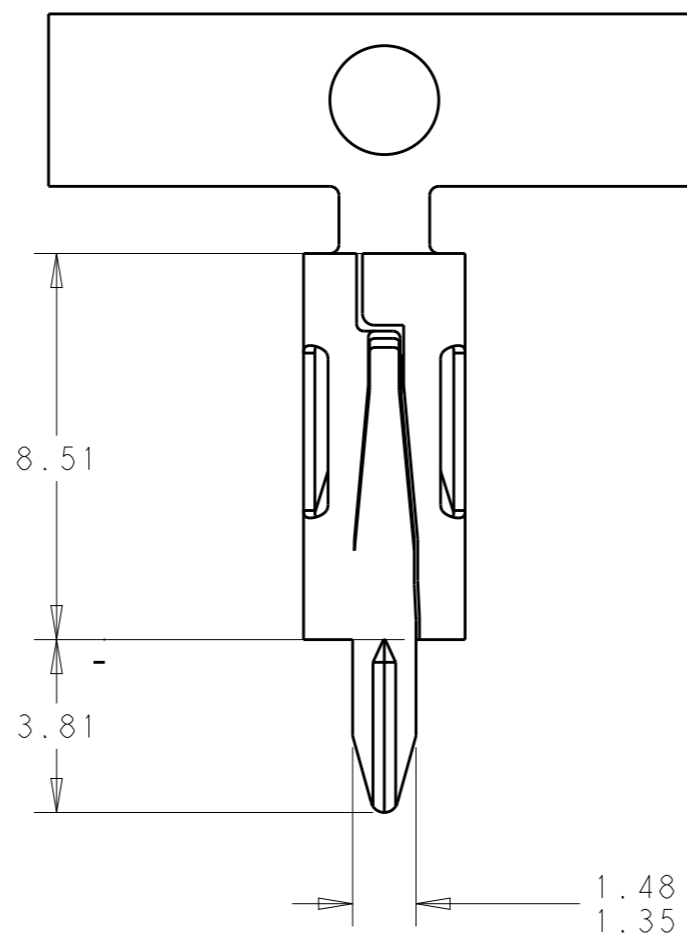
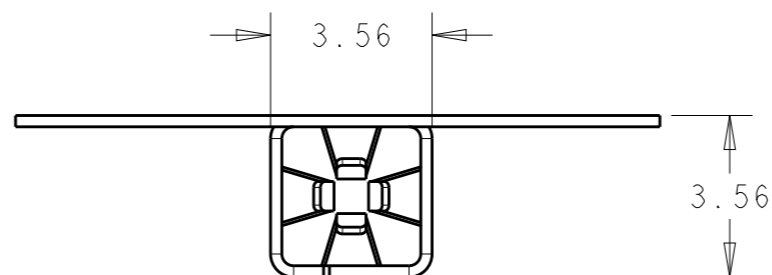
RELEASED FOR PUBLICATION

20



© COPYRIGHT 20 BY - ALL RIGHTS RESERVED.

REVISIONS					
P	LTR	DESCRIPTION	DATE	DWN	APVD
	A	RELEASED	11JUN2018	RS	LB

1 PRELIMINARY- NOT FOR PRODUCTION



LOOSE PIECE	1 2238194-2
AS SHOWN	2238194-1
TYPE	PART NUMBER

THIS DRAWING IS A CONTROLLED DOCUMENT.		DWN	27SEP2017	 TE Connectivity	
DIMENSIONS: mm		CHK	27SEP2017		
		APVD	27SEP2017		
TOLERANCES UNLESS OTHERWISE SPECIFIED: 0 PLC ±- 1 PLC ±- 2 PLC ±0.38 3 PLC ±- 4 PLC ±- ANGLES ±-		MD	MD		
MATERIAL PHOSPHOR BRONZE		FINISH MATTE TIN OVER NICKEL		NAME TERMINAL	
		WEIGHT -		SIZE A3	CAGE CODE 00779
		CUSTOMER DRAWING		DRAWING NO C-2238194	RESTRICTED TO -
SCALE 7:1		SCALE 6:1		SHEET 1 OF 1	REV A