

## LM628/LM629 Precision Motion Controller

Check for Samples: [LM628](#), [LM629](#)

### FEATURES

- 32-bit Position, Velocity, And Acceleration Registers
- Programmable Digital PID Filter with 16-bit Coefficients
- Programmable Derivative Sampling Interval
- 8- or 12-bit DAC Output Data (LM628)
- 8-bit Sign-magnitude PWM Output Data (LM629)
- Internal Trapezoidal Velocity Profile Generator
- Velocity, Target Position, and Filter Parameters may be Changed During Motion
- Position and Velocity Modes of Operation
- Real-time Programmable Host Interrupts
- 8-bit Parallel Asynchronous Host Interface
- Quadrature Incremental Encoder Interface with Index Pulse Input
- Available in a 28-pin Dual In-line Package or a SOIC-24 Package (LM629 Only)

### DESCRIPTION

The LM628/LM629 are dedicated motion-control processors designed for use with a variety of DC and brushless DC servo motors, and other servomechanisms which provide a quadrature incremental position feedback signal. The parts perform the intensive, real-time computational tasks required for high performance digital motion control. The host control software interface is facilitated by a high-level command set. The LM628 has an 8-bit output which can drive either an 8-bit or a 12-bit DAC. The components required to build a servo system are reduced to the DC motor/actuator, an incremental encoder, a DAC, a power amplifier, and the LM628. An LM629-based system is similar, except that it provides an 8-bit PWM output for directly driving H-switches. The parts are fabricated in NMOS and packaged in a 28-pin dual in-line package or a SOIC-24 package (LM629 only). Both 6 MHz and 8 MHz maximum frequency versions are available with the suffixes -6 and -8, respectively, used to designate the versions. They incorporate an SDA core processor and cells designed by SDA.

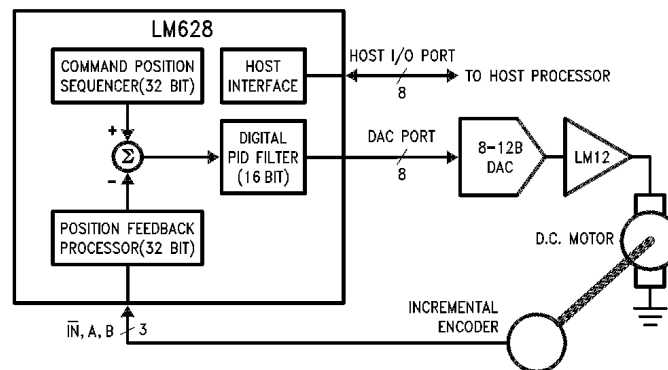


Figure 1. Block Diagram



Please be aware that an important notice concerning availability, standard warranty, and use in critical applications of Texas Instruments semiconductor products and disclaimers thereto appears at the end of this data sheet.

All trademarks are the property of their respective owners.

## Connection Diagrams

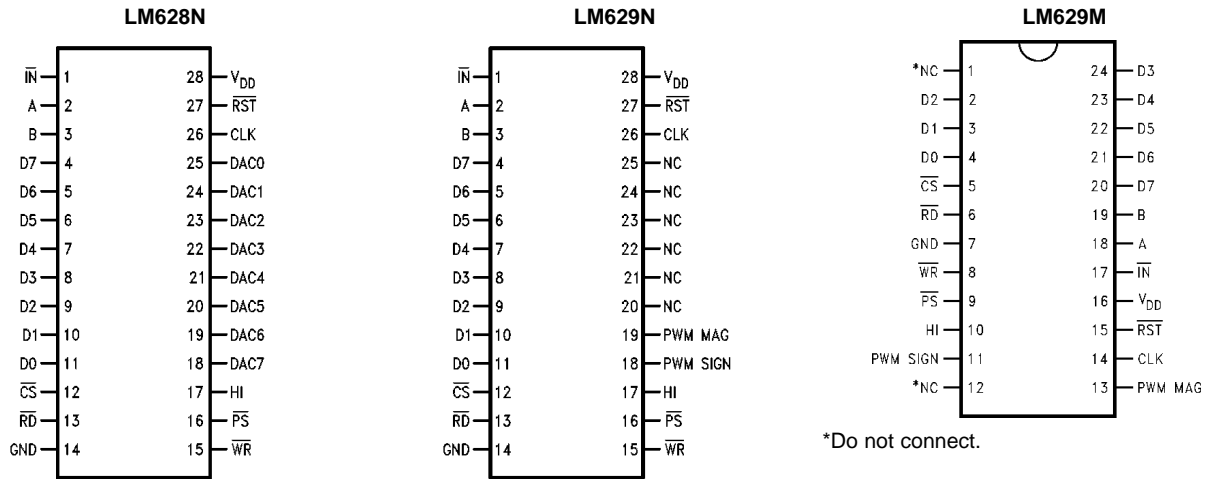


Figure 2. See Package Number DW or N



These devices have limited built-in ESD protection. The leads should be shorted together or the device placed in conductive foam during storage or handling to prevent electrostatic damage to the MOS gates.

### Absolute Maximum Ratings<sup>(1)(2)</sup>

Voltage at Any Pin with Respect to GND		-0.3V to +7.0V
Ambient Storage Temperature		-65°C to +150°C
Lead Temperature	28-pin PDIP Package (Soldering, 4 sec.)	260°C
	24-pin SOIC Package (Soldering, 10 sec.)	300°C
Maximum Power Dissipation (T <sub>A</sub> ≤ 85°C) <sup>(3)</sup>		605 mW
ESD Tolerance	(C <sub>ZAP</sub> = 120 pF, R <sub>ZAP</sub> = 1.5k)	1000V

- (1) Absolute Maximum Ratings indicate limits beyond which damage to the device may occur. DC and AC electrical specifications do not apply when operating the device beyond the above Operating Ratings.
- (2) If Military/Aerospace specified devices are required, please contact the Texas Instruments Sales Office/Distributors for availability and specifications.
- (3) When operating at ambient temperatures above 70°C, the device must be protected against excessive junction temperatures. Mounting the package on a printed circuit board having an area greater than three square inches and surrounding the leads and body with wide copper traces and large, uninterrupted areas of copper, such as a ground plane, suffices. The 28-pin DIP (N) and the 24-pin surface mount package (M) are molded plastic packages with solid copper lead frames. Most of the heat generated at the die flows from the die, through the copper lead frame, and into copper traces on the printed circuit board. The copper traces act as a heat sink. Double-sided or multi-layer boards provide heat transfer characteristics superior to those of single-sided boards.

### Operating Ratings

Temperature Range		-40°C < T <sub>A</sub> < +85°C
Clock Frequency	LM628N-6, LM629N-6, LM629M-6	1.0 MHz < f <sub>CLK</sub> < 6.0 MHz
	LM628N-8, LM629N-8, LM629M-8	1.0 MHz < f <sub>CLK</sub> < 8.0 MHz
V <sub>DD</sub> Range		4.5V < V <sub>DD</sub> < 5.5V

## DC Electrical Characteristics

( $V_{DD}$  and  $T_A$  per Operating Ratings;  $f_{CLK} = 6$  MHz)

Symbol	Parameter	Conditions	Tested Limits		Units
			Min	Max	
$I_{DD}$	Supply Current	Outputs Open		110	mA
<b>INPUT VOLTAGES</b>					
$V_{IH}$	Logic 1 Input Voltage		2.0		V
$V_{IL}$	Logic 0 Input Voltage			0.8	V
$I_{IN}$	Input Currents	$0 \leq V_{IN} \leq V_{DD}$	-10	10	$\mu$ A
<b>OUTPUT VOLTAGES</b>					
$V_{OH}$	Logic 1	$I_{OH} = -1.6$ mA	2.4		V
$V_{OL}$	Logic 0	$I_{OL} = 1.6$ mA		0.4	V
$I_{OUT}$	TRI-STATE Output Leakage Current	$0 \leq V_{OUT} \leq V_{DD}$	-10	10	$\mu$ A

## AC Electrical Characteristics

( $V_{DD}$  and  $T_A$  per Operating Ratings;  $f_{CLK} = 6$  MHz;  $C_{LOAD} = 50$  pF; Input Test Signal  $t_r = t_f = 10$  ns)

Timing Interval	T#	Tested Limits		Units
		Min	Max	
<b>ENCODER AND INDEX TIMING</b> (See <a href="#">Figure 3</a> )				
Motor-Phase Pulse Width	T1	$\frac{16}{f_{CLK}}$		$\mu$ s
Dwell-Time per State	T2	$\frac{8}{f_{CLK}}$		$\mu$ s
Index Pulse Setup and Hold (Relative to A and B Low)	T3	0		$\mu$ s
<b>CLOCK AND RESET TIMING</b> (See <a href="#">Figure 4</a> )				
Clock Pulse Width	LM628N-6, LM629N-6, LM629M-6	T4	78	ns
	LM628N-8, LM629N-8, LM629M-8	T4	57	ns
Clock Period	LM628N-6, LM629N-6, LM629M-6	T5	166	ns
	LM628N-8, LM629N-8, LM629M-8	T5	125	ns
Reset Pulse Width	T6	$\frac{8}{f_{CLK}}$		$\mu$ s
<b>STATUS BYTE READ TIMING</b> (See <a href="#">Figure 5</a> )				
Chip-Select Setup/Hold Time	T7	0		ns
Port-Select Setup Time	T8	30		ns
Port-Select Hold Time	T9	30		ns
Read Data Access Time	T10		180	ns
Read Data Hold Time	T11	0		ns
$\overline{RD}$ High to Hi-Z Time	T12		180	ns

## AC Electrical Characteristics (continued)

( $V_{DD}$  and  $T_A$  per Operating Ratings;  $f_{CLK} = 6$  MHz;  $C_{LOAD} = 50$  pF; Input Test Signal  $t_r = t_f = 10$  ns)

Timing Interval	T#	Tested Limits		Units
		Min	Max	
<b>COMMAND BYTE WRITE TIMING</b> (See Figure 6)				
Chip-Select Setup/Hold Time	T7	0		ns
Port-Select Setup Time	T8	30		ns
Port-Select Hold Time	T9	30		ns
Busy Bit Delay	T13		See <sup>(1)</sup>	ns
$\overline{WR}$ Pulse Width	T14	100		ns
Write Data Setup Time	T15	50		ns
Write Data Hold Time	T16	120		ns
<b>DATA WORD READ TIMING</b> (See Figure 7)				
Chip-Select Setup/Hold Time	T7	0		ns
Port-Select Setup Time	T8	30		ns
Port-Select Hold Time	T9	30		ns
Read Data Access Time	T10		180	ns
Read Data Hold Time	T11	0		ns
$\overline{RD}$ High to Hi-Z Time	T12		180	ns
Busy Bit Delay	T13		See <sup>(1)</sup>	ns
Read Recovery Time	T17	120		ns
<b>DATA WORD WRITE TIMING</b> (See Figure 8)				
Chip-Select Setup/Hold Time	T7	0		ns
Port-Select Setup Time	T8	30		ns
Port-Select Hold Time	T9	30		ns
Busy Bit Delay	T13		See <sup>(1)</sup>	ns
$\overline{WR}$ Pulse Width	T14	100		ns
Write Data Setup Time	T15	50		ns
Write Data Hold Time	T16	120		ns
Write Recovery Time	T18	120		ns

- (1) In order to read the busy bit, the status byte must first be read. The time required to read the busy bit far exceeds the time the chip requires to set the busy bit. It is, therefore, impossible to test actual busy bit delay. The busy bit is ensured to be valid as soon as the user is able to read it.

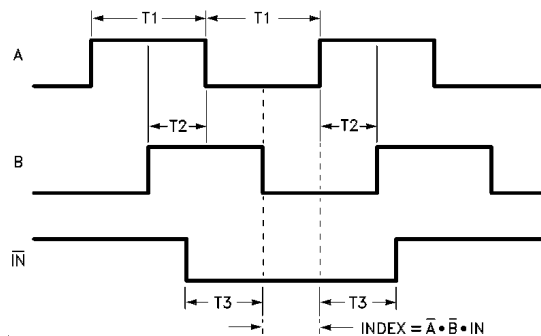


Figure 3. Quadrature Encoder Input Timing

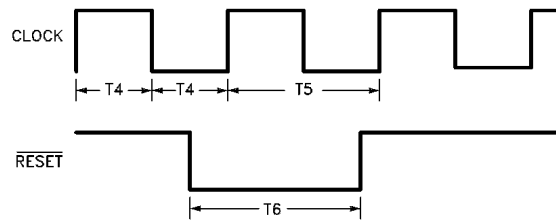


Figure 4. Clock and Reset Timing

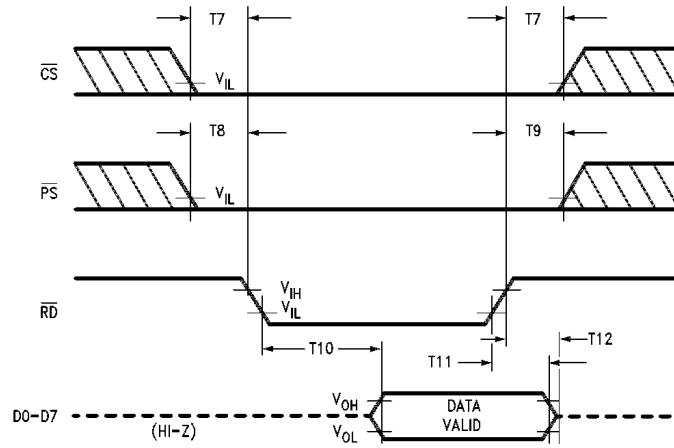


Figure 5. Status Byte Read Timing

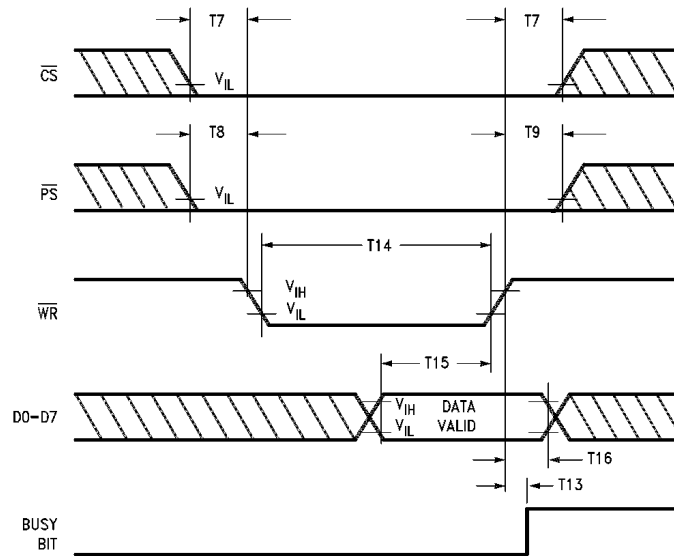


Figure 6. Command Byte Write Timing

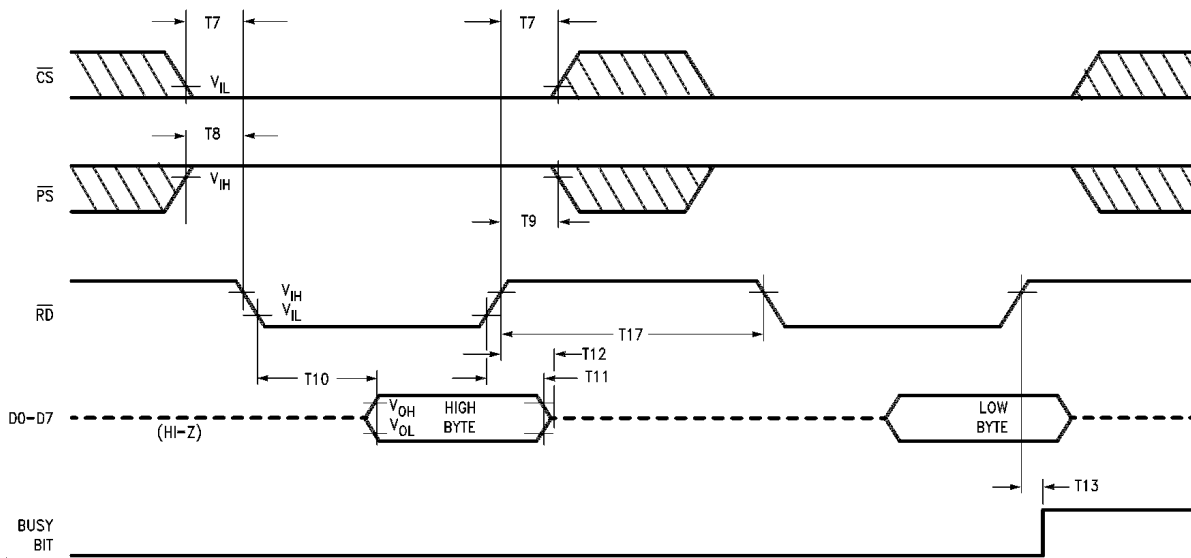


Figure 7. Data Word Read Timing

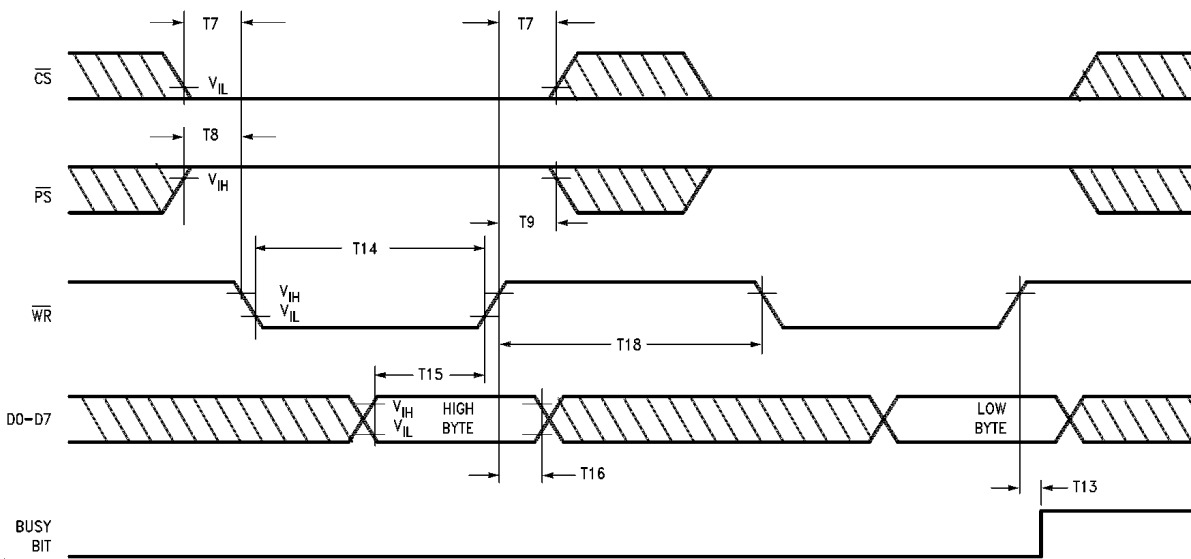


Figure 8. Data Word Write Timing

## Pinout Description

(See Connection Diagrams) Pin numbers for the 24-pin surface mount package are indicated in parentheses.

**Pin 1 (17), Index ( $\overline{IN}$ ) Input:** Receives optional index pulse from the encoder. Must be tied high if not used. The index position is read when Pins 1, 2, and 3 are low.

**Pins 2 and 3 (18 and 19), Encoder Signal (A, B) Inputs:** Receive the two-phase quadrature signals provided by the incremental encoder. When the motor is rotating in the positive (“forward”) direction, the signal at Pin 2 leads the signal at Pin 3 by 90 degrees. Note that the signals at Pins 2 and 3 must remain at each encoder state (See [Figure 10](#)) for a minimum of 8 clock periods in order to be recognized. Because of a four-to-one resolution advantage gained by the method of decoding the quadrature encoder signals, this corresponds to a maximum encoder-state capture rate of 1.0 MHz ( $f_{CLK} = 8.0$  MHz) or 750 kHz ( $f_{CLK} = 6.0$  MHz). For other clock frequencies the encoder signals must also remain at each state a minimum of 8 clock periods.

**Pins 4 to 11 (20 to 24 and 2 to 4), Host I/O Port (D0 to D7):** Bi-directional data port which connects to host computer/processor. Used for writing commands and data to the LM628, and for reading the status byte and data from the LM628, as controlled by  $\overline{CS}$  (Pin 12),  $\overline{PS}$  (Pin 16),  $\overline{RD}$  (Pin 13), and  $\overline{WR}$  (Pin 15).

**Pin 12 (5), Chip Select ( $\overline{CS}$ ) Input:** Used to select the LM628 for writing and reading operations.

**Pin 13 (6), Read ( $\overline{RD}$ ) Input:** Used to read status and data.

**Pin 14 (7), Ground (GND):** Power-supply return pin.

**Pin 15 (8), Write ( $\overline{WR}$ ) Input:** Used to write commands and data.

**Pin 16 (9), Port Select ( $\overline{PS}$ ) Input:** Used to select command or data port. Selects command port when low, data port when high. The following modes are controlled by Pin 16:

1. Commands are written to the command port (Pin 16 low),
2. Status byte is read from command port (Pin 16 low), and
3. Data is written and read via the data port (Pin 16 high).

**Pin 17 (10), Host Interrupt (HI) Output:** This active-high signal alerts the host (via a host interrupt service routine) that an interrupt condition has occurred.

**Pins 18 to 25, DAC Port (DAC0 to DAC7):** Output port which is used in three different modes:

1. LM628 (8-bit output mode): Outputs latched data to the DAC. The MSB is Pin 18 and the LSB is Pin 25.
2. LM628 (12-bit output mode): Outputs two, multiplexed 6-bit words. The less-significant word is output first. The MSB is on Pin 18 and the LSB is on Pin 23. Pin 24 is used to demultiplex the words; Pin 24 is low for the less-significant word. The positive-going edge of the signal on Pin 25 is used to strobe the output data. [Figure 9](#) shows the timing of the multiplexed signals.
3. LM629 (sign/magnitude outputs): Outputs a PWM sign signal on Pin 18 (11 for surface mount), and a PWM magnitude signal on Pin 19 (13 for surface mount). Pins 20 to 25 are not used in the LM629. [Figure 12](#) shows the PWM output signal format.

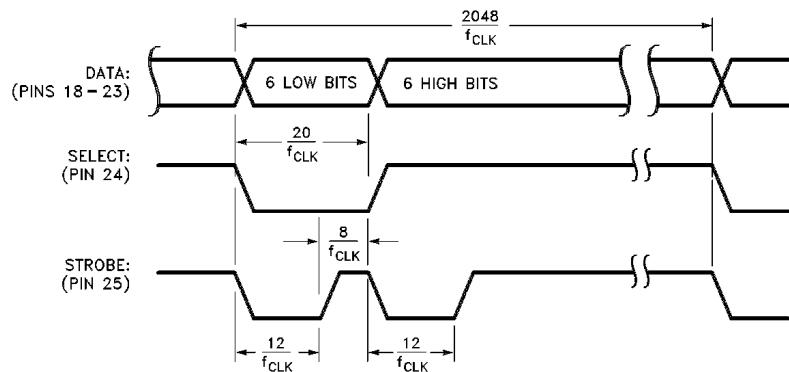
**Pin 26 (14), Clock (CLK) Input:** Receives system clock.

**Pin 27 (15), Reset ( $\overline{\text{RST}}$ ) Input:** Active-low, positive-edge triggered, resets the LM628 to the internal conditions shown below. Note that the reset pulse must be logic low for a minimum of 8 clock periods. Reset does the following:

1. Filter coefficient and trajectory parameters are zeroed.
2. Sets position error threshold to maximum value (7FFF hex), and effectively executes command LPEI.
3. The SBPA/SBPR interrupt is masked (disabled).
4. The five other interrupts are unmasked (enabled).
5. Initializes current position to zero, or “home” position.
6. Sets derivative sampling interval to  $2048/f_{\text{CLK}}$  or 256  $\mu\text{s}$  for an 8.0 MHz clock.
7. DAC port outputs 800 hex to “zero” a 12-bit DAC and then reverts to 80 hex to “zero” an 8-bit DAC.

Immediately after releasing the reset pin from the LM628, the status port should read “00”. If the reset is successfully completed, the status word will change to hex “84” or “C4” within 1.5 ms. If the status word has not changed from hex “00” to “84” or “C4” within 1.5 ms, perform another reset and repeat the above steps. To be certain that the reset was properly performed, execute a **RSTI** command. If the chip has reset properly, the status byte will change from hex “84” or “C4” to hex “80” or “C0”. If this does not occur, perform another reset and repeat the above steps.

**Pin 28 (16), Supply Voltage ( $V_{\text{DD}}$ ):** Power supply voltage (+5V).



**Figure 9. 12-Bit Multiplexed Output Timing**



## THEORY OF OPERATION

### INTRODUCTION

The typical system block diagram (See [Figure 1](#)) illustrates a servo system built using the LM628. The host processor communicates with the LM628 through an I/O port to facilitate programming a trapezoidal velocity profile and a digital compensation filter. The DAC output interfaces to an external digital-to-analog converter to produce the signal that is power amplified and applied to the motor. An incremental encoder provides feedback for closing the position servo loop. The trapezoidal velocity profile generator calculates the required trajectory for either position or velocity mode of operation. In operation, the LM628 subtracts the actual position (feedback position) from the desired position (profile generator position), and the resulting position error is processed by the digital filter to drive the motor to the desired position. [Table 1](#) provides a brief summary of specifications offered by the LM628/LM629:

### POSITION FEEDBACK INTERFACE

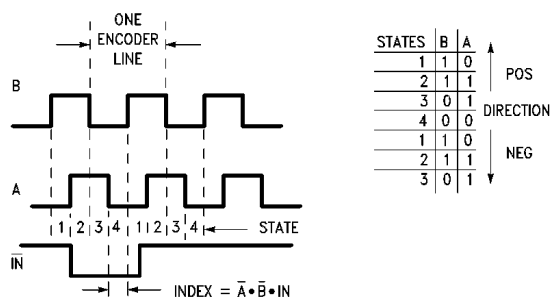
The LM628 interfaces to a motor via an incremental encoder. Three inputs are provided: two quadrature signal inputs, and an index pulse input. The quadrature signals are used to keep track of the absolute position of the motor. Each time a logic transition occurs at one of the quadrature inputs, the LM628 internal position register is incremented or decremented accordingly. This provides four times the resolution over the number of lines provided by the encoder. See [Figure 10](#). Each of the encoder signal inputs is synchronized with the LM628 clock.

The optional index pulse output provided by some encoders assumes the logic-low state once per revolution. If the LM628 is so programmed by the user, it will record the absolute motor position in a dedicated register (the index register) at the time when all three encoder inputs are logic low.

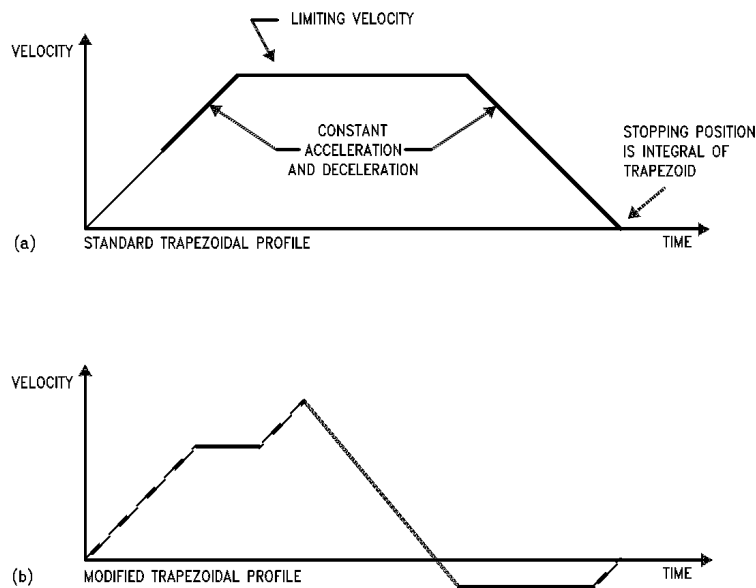
If the encoder does not provide an index output, the LM628 index input can also be used to record the home position of the motor. In this case, typically, the motor will close a switch which is arranged to cause a logic-low level at the index input, and the LM628 will record motor position in the index register and alert (interrupt) the host processor. Permanently grounding the index input will cause the LM628 to malfunction.

**Table 1. System Specifications Summary**

Position Range	-1,073,741,824 to 1,073,741,823 counts
Velocity Range	0 to 1,073,741,823/2 <sup>16</sup> counts/sample; ie, 0 to 16,383 counts/sample, with a resolution of 1/2 <sup>16</sup> counts/sample
Acceleration Range	0 to 1,073,741,823/2 <sup>16</sup> counts/sample/sample; ie, 0 to 16,383 counts/sample/sample, with a resolution of 1/2 <sup>16</sup> counts/sample/sample
Motor Drive Output	LM628: 8-bit parallel output to DAC, or 12-bit multiplexed output to DAC LM629: 8-bit PWM sign/magnitude signals
Operating Modes	Position and Velocity
Feedback Device	Incremental Encoder (quadrature signals; support for index pulse)
Control Algorithm	Proportional Integral Derivative (PID) (plus programmable integration limit)
Sample Intervals	Derivative Term: Programmable from 2048/f <sub>CLK</sub> to (2048 * 256)/f <sub>CLK</sub> in steps of 2048/f <sub>CLK</sub> (256 to 65,536 μs for an 8.0 MHz clock). Proportional and Integral: 2048/f <sub>CLK</sub>



**Figure 10. Quadrature Encoder Signals**



**Figure 11. Typical Velocity Profiles**

## VELOCITY PROFILE (TRAJECTORY) GENERATION

The trapezoidal velocity profile generator computes the desired position of the motor versus time. In the position mode of operation, the host processor specifies acceleration, maximum velocity, and final position. The LM628 uses this information to affect the move by accelerating as specified until the maximum velocity is reached or until deceleration must begin to stop at the specified final position. The deceleration rate is equal to the acceleration rate. At any time during the move the maximum velocity and/or the target position may be changed, and the motor will accelerate or decelerate accordingly. Figure 11 illustrates two typical trapezoidal velocity profiles. Figure 11(a) shows a simple trapezoid, while Figure 11(b) is an example of what the trajectory looks like when velocity and position are changed at different times during the move.

When operating in the velocity mode, the motor accelerates to the specified velocity at the specified acceleration rate and maintains the specified velocity until commanded to stop. The velocity is maintained by advancing the desired position at a constant rate. If there are disturbances to the motion during velocity mode operation, the long-time average velocity remains constant. If the motor is unable to maintain the specified velocity (which could be caused by a locked rotor, for example), the desired position will continue to be increased, resulting in a very large position error. If this condition goes undetected, and the impeding force on the motor is subsequently released, the motor could reach a very high velocity in order to catch up to the desired position (which is still advancing as specified). This condition is easily detected; see commands LPEI and LPES.

All trajectory parameters are 32-bit values. Position is a signed quantity. Acceleration and velocity are specified as 16-bit, positive-only integers having 16-bit fractions. The integer portion of velocity specifies how many counts per sampling interval the motor will traverse. The fractional portion designates an additional fractional count per sampling interval. Although the position resolution of the LM628 is limited to integer counts, the fractional counts provide increased average velocity resolution. Acceleration is treated in the same manner. Each sampling interval the commanded acceleration value is added to the current desired velocity to generate a new desired velocity (unless the command velocity has been reached).

One determines the trajectory parameters for a desired move as follows. If, for example, one has a 500-line shaft encoder, desires that the motor accelerate at one revolution per second per second until it is moving at 600 rpm, and then decelerate to a stop at a position exactly 100 revolutions from the start, one would calculate the trajectory parameters as follows:

```

let   P = target position (units = encoder counts)
let   R = encoder lines * 4 (system resolution)
then  R = 500 * 4 = 2000

```

```

and P = 2000 * desired number of revolutions
      P = 2000 * 100 revs = 200,000 counts (value to load)
      P (coding) = 00030D40 (hex code written to LM628)

let V = velocity (units = counts/sample)

let T = sample time (seconds) = 341 μs (with 6 MHz clock)

let C = conversion factor = 1 minute/60 seconds

then V = R * T * C * desired rpm

and V = 2000 * 341E-6 * 1/60 * 600 rpm
      V = 6.82 counts/sample
      V (scaled) = 6.82 * 65,536 = 446,955.52
      V (rounded) = 446,956 (value to load)
      V (coding) = 0006D1EC (hex code written to LM628)

let A = acceleration (units = counts/sample/sample)
      A = R * T * T * desired acceleration (rev/sec/sec)

then A = 2000 * 341E-6 * 341E-6 * 1 rev/sec/sec

and A = 2.33E-4 counts/sample/sample
      A (scaled) = 2.33E-4 * 65,536 = 15.24
      A (rounded) = 15 (value to load)
      A (coding) = 0000000F (hex code written to LM628)
  
```

The above position, velocity, and acceleration values must be converted to binary codes to be loaded into the LM628. The values shown for velocity and acceleration must be multiplied by 65,536 (as shown) to adjust for the required integer/fraction format of the input data. Note that after scaling the velocity and acceleration values, literal fractional data cannot be loaded; the data must be rounded and converted to binary. The factor of four increase in system resolution is due to the method used to decode the quadrature encoder signals, see [Figure 10](#).

## PID COMPENSATION FILTER

The LM628 uses a digital Proportional Integral Derivative (PID) filter to compensate the control loop. The motor is held at the desired position by applying a restoring force to the motor that is proportional to the position error, plus the integral of the error, plus the derivative of the error. The following discrete-time equation illustrates the control performed by the LM628:

$$u(n) = k_p * e(n) + k_i \sum_{N=0}^n e(n) + k_d [e(n') - e(n' - 1)]; \quad (\text{Eq. 1})$$

where

- $u(n)$  is the motor control signal output at sample time  $n$ ,  $e(n)$  is the position error at sample time  $n$ ,  $n'$  indicates sampling at the derivative sampling rate, and  $k_p$ ,  $k_i$ , and  $k_d$  are the discrete-time filter parameters loaded by the users. (1)

The first term, the proportional term, provides a restoring force proportional to the position error, just as does a spring obeying Hooke's law. The second term, the integration term, provides a restoring force that grows with time, and thus ensures that the static position error is zero. If there is a constant torque loading, the motor will still be able to achieve zero position error.

The third term, the derivative term, provides a force proportional to the rate of change of position error. It acts just like viscous damping in a damped spring and mass system (like a shock absorber in an automobile). The sampling interval associated with the derivative term is user-selectable; this capability enables the LM628 to control a wider range of inertial loads (system mechanical time constants) by providing a better approximation of the continuous derivative. In general, longer sampling intervals are useful for low-velocity operations.

In operation, the filter algorithm receives a 16-bit error signal from the loop summing-junction. The error signal is saturated at 16 bits to ensure predictable behavior. In addition to being multiplied by filter coefficient  $k_p$ , the error signal is added to an accumulation of previous errors (to form the integral signal) and, at a rate determined by the chosen *derivative* sampling interval, the previous error is subtracted from it (to form the derivative signal). All filter multiplications are 16-bit operations; only the bottom 16 bits of the product are used.

The integral signal is maintained to 24 bits, but only the top 16 bits are used. This scaling technique results in a more usable (less sensitive) range of coefficient  $k_i$  values. The 16 bits are right-shifted eight positions and multiplied by filter coefficient  $k_i$  to form the term which contributes to the motor control output. The absolute magnitude of this product is compared to coefficient  $i_l$ , and the lesser, appropriately signed magnitude then contributes to the motor control signal.

The derivative signal is multiplied by coefficient  $k_d$  each *derivative* sampling interval. This product contributes to the motor control output *every* sample interval, independent of the user-chosen *derivative* sampling interval.

The  $k_p$ , limited  $k_i$ , and  $k_d$  product terms are summed to form a 16-bit quantity. Depending on the output mode (wordsize), either the top 8 or top 12 bits become the motor control output signal.

## LM628 READING AND WRITING OPERATIONS

The host processor writes commands to the LM628 via the host I/O port when Port Select ( $\overline{PS}$ ) input (Pin 16) is logic low. The desired command code is applied to the parallel port line and the Write ( $\overline{WR}$ ) input (Pin 15) is strobed. The command byte is latched into the LM628 on the rising edge of the  $\overline{WR}$  input. When writing command bytes it is necessary to first read the status byte and check the state of a flag called the “busy bit” (Bit 0). If the busy bit is logic high, no command write may take place. The busy bit is never high longer than 100  $\mu$ s, and typically falls within 15  $\mu$ s to 25  $\mu$ s.

The host processor reads the LM628 status byte in a similar manner: by strobing the Read ( $\overline{RD}$ ) input (Pin 13) when  $\overline{PS}$  (Pin 16) is low; status information remains valid as long as  $\overline{RD}$  is low.

Writing and reading data to/from the LM628 (as opposed to writing commands and reading status) are done with  $\overline{PS}$  (Pin 16) logic high. These writes and reads are always an integral number (from one to seven) of two-byte words, with the first byte of each word being the more significant. Each byte requires a write ( $\overline{WR}$ ) or read ( $\overline{RD}$ ) strobe. When transferring data words (byte-pairs), it is necessary to first read the status byte and check the state of the busy bit. When the busy bit is logic low, the user may then sequentially transfer both bytes comprising a data word, but the busy bit must again be checked and found to be low before attempting to transfer the next byte pair (when transferring multiple words). Data transfers are accomplished via LM628-internal interrupts (which are not nested); the busy bit informs the host processor when the LM628 may not be interrupted for data transfer (or a command byte). If a command is written when the busy bit is high, the command will be ignored.

The busy bit goes high immediately after writing a command byte, or reading or writing a second byte of data (See [Figure 6](#) thru [Figure 8](#)).

## MOTOR OUTPUTS

The LM628 DAC output port can be configured to provide either a latched eight-bit parallel output or a multiplexed 12-bit output. The 8-bit output can be directly connected to a flow-through (non-input-latching) D/A converter; the 12-bit output can be easily demultiplexed using an external 6-bit latch and an input-latching 12-bit D/A converter. The DAC output data is offset-binary coded; the 8-bit code for zero is 80 hex and the 12-bit code for zero is 800 hex. Values less than these cause a negative torque to be applied to the motor and, conversely, larger values cause positive motor torque. The LM628, when configured for 12-bit output, provides signals which control the demultiplexing process. See for details.

The LM629 provides 8-bit, sign and magnitude PWM output signals for directly driving switch-mode motor-drive amplifiers. [Figure 12](#) shows the format of the PWM magnitude output signal.

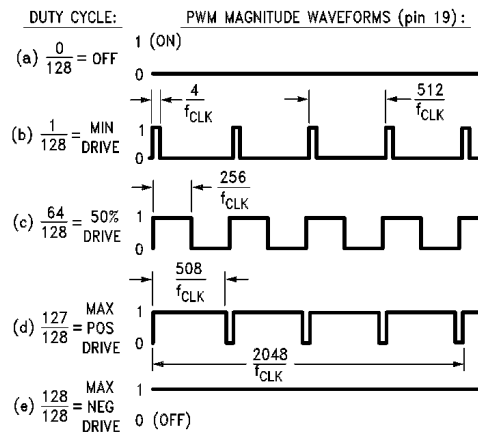


Figure 12. PWM Output Signal Format (Sign output (pin 18) not shown)

Table 2. LM628 User Command Set<sup>(1)(2)(3)(4)</sup>

Command	Type	Description	Hex	Data Bytes	Note
RESET	Initialize	Reset LM628	00	0	1
PORT8	Initialize	Select 8-Bit Output	05	0	2
PORT12	Initialize	Select 12-Bit Output	06	0	2
DFH	Initialize	Define Home	02	0	1
SIP	Interrupt	Set Index Position	03	0	1
LPEI	Interrupt	Interrupt on Error	1B	2	1
LPES	Interrupt	Stop on Error	1A	2	1
SBPA	Interrupt	Set Breakpoint, Absolute	20	4	1
SBPR	Interrupt	Set Breakpoint, Relative	21	4	1
MSKI	Interrupt	Mask Interrupts	1C	2	1
RSTI	Interrupt	Reset Interrupts	1D	2	1
LFIL	Filter	Load Filter Parameters	1E	2 to 10	1
UDF	Filter	Update Filter	04	0	1
LTRJ	Trajectory	Load Trajectory	1F	2 to 14	1
STT	Trajectory	Start Motion	01	0	3
RDSTAT	Report	Read Status Byte	None	1	1, 4
RDSIGS	Report	Read Signals Register	0C	2	1
RDIP	Report	Read Index Position	09	4	1
RDDP	Report	Read Desired Position	08	4	1
RDRP	Report	Read Real Position	0A	4	1
RDDV	Report	Read Desired Velocity	07	4	1
RDRV	Report	Read Real Velocity	0B	2	1
RDSUM	Report	Read Integration Sum	0D	2	1

- (1) Commands may be executed "On the Fly" during motion.
- (2) Commands not applicable to execution during motion.
- (3) Command may be executed during motion if acceleration parameter was not changed.
- (4) Command needs no code because the command port status-byte read is totally supported by hardware.

## User Command Set

### GENERAL

The following paragraphs describe the user command set of the LM628. Some of the commands can be issued alone and some require a supporting data structure. As examples, the command STT (STarT motion) does not require additional data; command LFIL (Load FILter parameters) requires additional data (derivative-term sampling interval and/or filter parameters).

Commands are categorized by function: initialization, interrupt control, filter control, trajectory control, and data reporting. The commands are listed in [Table 2](#) and described in the following paragraphs. Along with each command name is its command-byte code, the number of accompanying data bytes that are to be written (or read), and a comment as to whether the command is executable during motion.

### Initialization Commands

The following four LM628 user commands are used primarily to initialize the system for use.

#### RESET COMMAND: RESET THE LM628

**Command Code:** 00 Hex

**Data Bytes:** None

**Executable During Motion:** Yes

This command (and the hardware reset input, Pin 27) results in setting the following data items to zero: filter coefficients and their input buffers, trajectory parameters and their input buffers, and the motor control output. A zero motor control output is a half-scale, offset-binary code: (80 hex for the 8-bit output mode; 800 hex for 12-bit mode). During reset, the DAC port outputs 800 hex to “zero” a 12-bit DAC and reverts to 80 hex to “zero” an 8-bit DAC. The command also clears five of the six interrupt masks (only the SBPA/SBPR interrupt is masked), sets the output port size to 8 bits, and defines the current absolute position as home. Reset, which may be executed at any time, will be completed in less than 1.5 ms. Also see commands PORT8 and PORT12.

#### PORT8 COMMAND: SET OUTPUT PORT SIZE TO 8 BITS

**Command Code:** 05 Hex

**Data Bytes:** None

**Executable During Motion:** Not Applicable

The default output port size of the LM628 is 8 bits; so the PORT8 command need not be executed when using an 8-bit DAC. This command must not be executed when using a 12-bit converter; it will result in erratic, unpredictable motor behavior. The 8-bit output port size is the required selection when using the LM629, the PWM-output version of the LM628.

#### PORT12 COMMAND: SET OUTPUT PORT SIZE TO 12 BITS

**Command Code:** 06 Hex

**Data Bytes:** None

**Executable During Motion:** Not Applicable

When a 12-bit DAC is used, command PORT12 should be issued very early in the initialization process. Because use of this command is determined by system hardware, there is only one foreseen reason to execute it later: if the RESET command is issued (because an 8-bit output would then be selected as the default) command PORT12 should be immediately executed. This command must not be issued when using an 8-bit converter or the LM629, the PWM-output version of the LM628.

**DFH COMMAND: DEFINE HOME****Command Code:** 02 Hex**Data Bytes:** None**Executable During Motion:** Yes

This command declares the current position as “home”, or absolute position 0 (Zero). If DFH is executed during motion it will not affect the stopping position of the on-going move unless command STT is also executed.

**Interrupt Control Commands**

The following seven LM628 user commands are associated with conditions which can be used to interrupt the host computer. In order for any of the potential interrupt conditions to actually interrupt the host via Pin 17, the corresponding bit in the interrupt mask data associated with command MSKI must have been set to logic high (the non-masked state).

The identity of all interrupts is made known to the host via reading and parsing the status byte. Even if all interrupts are masked off via command MSKI, the state of each condition is still reflected in the status byte. This feature facilitates polling the LM628 for status information, as opposed to interrupt driven operation.

**SIP COMMAND: SET INDEX POSITION****Command Code:** 03 Hex**Data Bytes:** None**Executable During Motion:** Yes

After this command is executed, the absolute position which corresponds to the occurrence of the next index pulse input will be recorded in the index register, and bit 3 of the status byte will be set to logic high. The position is recorded when both encoder-phase inputs and the index pulse input are logic low. This register can then be read by the user (see description for command RDIP) to facilitate aligning the definition of home position (see description of command DFH) with an index pulse. The user can also arrange to have the LM628 interrupt the host to signify that an index pulse has occurred. See the descriptions for commands MSKI and RSTI.

**LPEI COMMAND: LOAD POSITION ERROR FOR INTERRUPT****Command Code:** 1B Hex**Data Bytes:** Two**Data Range:** 0000 to 7FFF Hex**Executable During Motion:** Yes

An excessive position error (the output of the loop summing junction) can indicate a serious system problem; e.g., a stalled rotor. Instruction LPEI allows the user to input a threshold for position error detection. Error detection occurs when the absolute magnitude of the position error exceeds the threshold, which results in bit 5 of the status byte being set to logic high. If it is desired to also stop (turn off) the motor upon detecting excessive position error, see command LPES, below. The first byte of threshold data written with command LPEI is the more significant. The user can have the LM628 interrupt the host to signify that an excessive position error has occurred. See the descriptions for commands MSKI and RSTI.



**LPES COMMAND: LOAD POSITION ERROR FOR STOPPING****Command Code:** 1A Hex**Data Bytes:** Two**Data Range:** 0000 to 7FFF Hex**Executable During Motion:** Yes

Instruction LPES is essentially the same as command LPEI above, but adds the feature of turning off the motor upon detecting excessive position error. The motor drive is not actually switched off, it is set to half-scale, the offset-binary code for zero. As with command LPEI, bit 5 of the status byte is also set to logic high. The first byte of threshold data written with command LPES is the more significant. The user can have the LM628 interrupt the host to signify that an excessive position error has occurred. See the descriptions for commands MSKI and RSTI.

**SBPA COMMAND:****Command Code:** 20 Hex**Data Bytes:** Four**Data Range:** C0000000 to 3FFFFFFF Hex**Executable During Motion:** Yes

This command enables the user to set a breakpoint in terms of absolute position. Bit 6 of the status byte is set to logic high when the breakpoint position is reached. This condition is useful for signaling trajectory and/or filter parameter updates. The user can also arrange to have the LM628 interrupt the host to signify that a breakpoint position has been reached. See the descriptions for commands MSKI and RSTI.

**SBPR COMMAND:****Command Code:** 21 Hex**Data Bytes:** Four**Data Range:** See Text**Executable During Motion:** Yes

This command enables the user to set a breakpoint in terms of relative position. As with command SBPA, bit 6 of the status byte is set to logic high when the breakpoint position (relative to the current commanded target position) is reached. The relative breakpoint input value must be such that when this value is added to the target position the result remains within the absolute position range of the system (C0000000 to 3FFFFFFF hex). This condition is useful for signaling trajectory and/or filter parameter updates. The user can also arrange to have the LM628 interrupt the host to signify that a breakpoint position has been reached. See the descriptions for commands MSKI and RSTI.

**MSKI COMMAND: MASK INTERRUPTS****Command Code:** 1C Hex**Data Bytes:** Two**Data Range:** See Text**Executable During Motion:** Yes

The MSKI command lets the user determine which potential interrupt condition(s) will interrupt the host. Bits 1 through 6 of the status byte are indicators of the six conditions which are candidates for host interrupt(s). When interrupted, the host then reads the status byte to learn which condition(s) occurred. Note that the MSKI command is immediately followed by two data bytes. Bits 1 through 6 of the second (less significant) byte written determine the masked/unmasked status of each potential interrupt. Any zero(s) in this 6-bit field will mask the corresponding interrupt(s); any one(s) enable the interrupt(s). Other bits comprising the two bytes have no effect. The mask controls only the host interrupt process; reading the status byte will still reflect the actual conditions independent of the mask byte. See [Table 3](#).



**Table 3. Mask and Reset Bit Allocations for Interrupts**

Bit Position	Function
Bits 15 thru 7	Not Used
Bit 6	Breakpoint Interrupt
Bit 5	Position-Error Interrupt
Bit 4	Wrap-Around Interrupt
Bit 3	Index-Pulse Interrupt
Bit 2	Trajectory-Complete Interrupt
Bit 1	Command-Error Interrupt
Bit 0	Not Used

**RSTI COMMAND: RESET INTERRUPTS**

**Command Code:** 1D Hex

**Data Bytes:** Two

**Data Range:** See Text

**Executable During Motion:** Yes

When one of the potential interrupt conditions of [Table 3](#) occurs, command RSTI is used to reset the corresponding interrupt flag bit in the status byte. The host may reset one or all flag bits. Resetting them one at a time allows the host to service them one at a time according to a priority programmed by the user. As in the MSKI command, bits 1 through 6 of the second (less significant) byte correspond to the potential interrupt conditions shown in [Table 3](#). Also see description of RDSTAT command. Any zero(s) in this 6-bit field reset the corresponding interrupt(s). The remaining bits have no effect.

**Filter Control Commands**

The following two LM628 user commands are used for setting the derivative-term sampling interval, for adjusting the filter parameters as required to tune the system, and to control the timing of these system changes.

**LFIL COMMAND: LOAD FILTER PARAMETERS**

**Command Code:** 1E Hex

**Data Bytes:** Two to Ten

**Data Ranges...**

**Filter Control Word:** See Text

**Filter Coefficients:** 0000 to 7FFF Hex (Pos Only)

**Integration Limit:** 0000 to 7FFF Hex (Pos Only)

**Executable During Motion:** Yes

The filter parameters (coefficients) which are written to the LM628 to control loop compensation are:  $k_p$ ,  $k_i$ ,  $k_d$ , and  $il$  (integration limit). The integration limit ( $il$ ) constrains the contribution of the integration term

$$\left[ k_i * \sum_{N=0}^n e(n) \right] \quad (2)$$

(see [Equation 1](#)) to values equal to or less than a user-defined maximum value; this capability minimizes integral or reset “wind-up” (an overshooting effect of the integral action). The positive-only input value is compared to the absolute magnitude of the integration term; when the magnitude of integration term value exceeds  $il$ , the  $il$  value (with appropriate sign) is substituted for the integration term value.

The derivative-term sampling interval is also programmable via this command. After writing the command code, the first two data bytes that are written specify the derivative-term sampling interval and which of the four filter parameters is/are to be written via any forthcoming data bytes. The first byte written is the more significant. Thus the two data bytes constitute a filter control word that informs the LM628 as to the nature and number of any following data bytes. See [Table 4](#).

**Table 4. Filter Control word Bit Allocation**

Bit Position	Function
Bit 15	Derivative Sampling Interval Bit 7
Bit 14	Derivative Sampling Interval Bit 6
Bit 13	Derivative Sampling Interval Bit 5
Bit 12	Derivative Sampling Interval Bit 4
Bit 11	Derivative Sampling Interval Bit 3
Bit 10	Derivative Sampling Interval Bit 2
Bit 9	Derivative Sampling Interval Bit 1
Bit 8	Derivative Sampling Interval Bit 0
Bit 7	Not Used
Bit 6	Not Used
Bit 5	Not Used
Bit 4	Not Used
Bit 3	Loading kp Data
Bit 2	Loading ki Data
Bit 1	Loading kd Data
Bit 0	Loading il Data

Bits 8 through 15 select the derivative-term sampling interval. See [Table 5](#). The user must locally save and restore these bits during successive writes of the filter control word.

Bits 4 through 7 of the filter control word are not used.

Bits 0 to 3 inform the LM628 as to whether any or all of the filter parameters are about to be written. The user may choose to update any or all (or none) of the filter parameters. Those chosen for updating are so indicated by logic one(s) in the corresponding bit position(s) of the filter control word.

The data bytes specified by and immediately following the filter control word are written in pairs to comprise 16-bit words. The order of sending the data words to the LM628 corresponds to the descending order shown in the above description of the filter control word; i.e., beginning with kp, then ki, kd and il. The first byte of each word is the more-significant byte. Prior to writing a word (byte pair) it is necessary to check the busy bit in the status byte for readiness. The required data is written to the primary buffers of a double-buffered scheme by the above described operations; it is not transferred to the secondary (working) registers until the UDF command is executed. This fact can be used advantageously; the user can input numerous data ahead of their actual use. This simple pipeline effect can relieve potential host computer data communications bottlenecks, and facilitates easier synchronization of multiple-axis controls.

#### UDF COMMAND: UPDATE FILTER

**Command Code:** 04 Hex

**Data Bytes:** None

**Executable During Motion:** Yes

The UDF command is used to update the filter parameters, the specifics of which have been programmed via the LFIL command. Any or all parameters (derivative-term sampling interval, kp, ki, kd, and/or il) may be changed by the appropriate command(s), but command UDF must be executed to affect the change in filter tuning. Filter updating is synchronized with the calculations to eliminate erratic or spurious behavior.

## Trajectory Control Commands

The following two LM628 user commands are used for setting the trajectory control parameters (position, velocity, acceleration), mode of operation (position or velocity), and direction (velocity mode only) as required to describe a desired motion or to select the mode of a manually directed stop, and to control the timing of these system changes.

### LTRJ COMMAND: LOAD TRAJECTORY PARAMETERS

Command Code:	1F Hex	
Data Bytes:	Two to Fourteen	
Data Ranges...		
Trajectory Control	Word:	See Text
	Position:	C0000000 to 3FFFFFFF Hex
	Velocity:	00000000 to 3FFFFFFF Hex (Pos Only)
	Acceleration:	00000000 to 3FFFFFFF Hex (Pos Only)
Executable During	Motion:	Conditionally, See Text

**Table 5. Derivative-Term Sampling Interval Selection Codes**

	Bit Position								Selected Derivative
	15	14	13	12	11	10	9	8	Sampling Interval
	0	0	0	0	0	0	0	0	256 $\mu$ s
	0	0	0	0	0	0	0	1	512 $\mu$ s
	0	0	0	0	0	0	1	0	768 $\mu$ s
	0	0	0	0	0	0	1	1	1024 $\mu$ s, etc...
thru	1	1	1	1	1	1	1	1	65,536 $\mu$ s

The trajectory control parameters which are written to the LM628 to control motion are: acceleration, velocity, and position. In addition, indications as to whether these three parameters are to be considered as absolute or relative inputs, selection of velocity mode and direction, and manual stopping mode selection and execution are programmable via this command. After writing the command code, the first two data bytes that are written specify which parameter(s) is/are being changed. The first byte written is the more significant. Thus the two data bytes constitute a trajectory control word that informs the LM628 as to the nature and number of any following data bytes. See [Table 6](#).

**Table 6. Trajectory Control Word Bit Allocation**

Bit Position	Function
Bit 15	Not Used
Bit 14	Not Used
Bit 13	Not Used
Bit 12	Forward Direction (Velocity Mode Only)
Bit 11	Velocity Mode
Bit 10	Stop Smoothly (Decelerate as Programmed)
Bit 9	Stop Abruptly (Maximum Deceleration)
Bit 8	Turn Off Motor (Output Zero Drive)
Bit 7	Not Used
Bit 6	Not Used
Bit 5	Acceleration Will Be Loaded
Bit 4	Acceleration Data Is Relative
Bit 3	Velocity Will Be Loaded
Bit 2	Velocity Data Is Relative

**Table 6. Trajectory Control Word Bit Allocation (continued)**

Bit Position	Function
Bit 1	Position Will Be Loaded
Bit 0	Position Data Is Relative

Bit 12 determines the motor direction when in the velocity mode. A logic one indicates forward direction. This bit has no effect when in position mode.

Bit 11 determines whether the LM628 operates in velocity mode (Bit 11 logic one) or position mode (Bit 11 logic zero).

Bits 8 through 10 are used to select the method of *manually stopping* the motor. These bits are *not* provided for one to merely specify the desired *mode* of stopping, in position mode operations, normal stopping is always smooth and occurs automatically at the end of the specified trajectory. Under exceptional circumstances it may be desired to manually intervene with the trajectory generation process to affect a premature stop. In velocity mode operations, however, the normal means of stopping is via bits 8 through 10 (usually bit 10). Bit 8 is set to logic one to stop the motor by turning off motor drive output (outputting the appropriate offset-binary code to apply zero drive to the motor); bit 9 is set to one to stop the motor abruptly (at maximum available acceleration, by setting the target position equal to the current position); and bit 10 is set to one to stop the motor smoothly by using the current user-programmed acceleration value. Bits 8 through 10 are to be used *exclusively*; only one bit should be a logic one at any time.

Bits 0 through 5 inform the LM628 as to whether any or all of the trajectory controlling parameters are about to be written, and whether the data should be interpreted as absolute or relative. The user may choose to update any or all (or none) of the trajectory parameters. Those chosen for updating are so indicated by logic one(s) in the corresponding bit position(s). Any parameter may be changed while the motor is in motion; however, if acceleration is changed then the next STT command must not be issued until the LM628 has completed the current move or has been manually stopped.

The data bytes specified by and immediately following the trajectory control word are written in pairs which comprise 16-bit words. Each data item (parameter) requires two 16-bit words; the word and byte order is most-to-least significant. The order of sending the parameters to the LM628 corresponds to the descending order shown in the above description of the trajectory control word; i.e., beginning with acceleration, then velocity, and finally position.

Acceleration and velocity are 32 bits, positive only, but range only from 0 (00000000 hex) to  $[2^{30}] - 1$  (3FFFFFFF hex). The bottom 16 bits of both acceleration and velocity are scaled as fractional data; therefore, the least-significant integer data bit for these parameters is bit 16 (where the bits are numbered 0 through 31). To determine the coding for a given velocity, for example, one multiplies the desired velocity (in counts per sample interval) times 65,536 and converts the result to binary. The units of acceleration are counts per sample per sample. The value loaded for acceleration must not exceed the value loaded for velocity. Position is a signed, 32-bit integer, but ranges only from  $-[2^{30}]$  (C0000000 hex) to  $[2^{30}] - 1$  (3FFFFFFF Hex).

The required data is written to the primary buffers of a double-buffered scheme by the above described operations; it is not transferred to the secondary (working) registers until the STT command is executed. This fact can be used advantageously; the user can input numerous data ahead of their actual use. This simple pipeline effect can relieve potential host computer data communications bottlenecks, and facilitates easier synchronization of multiple-axis controls.

### STT COMMAND: START MOTION CONTROL

**Command Code:** 01 Hex

**Data Bytes:** None

**Executable During Motion:** Yes, if acceleration has not been changed

The STT command is used to execute the desired trajectory, the specifics of which have been programmed via the LTRJ command. Synchronization of multi-axis control (to within one sample interval) can be arranged by loading the required trajectory parameters for each (and every) axis and then simultaneously issuing a single STT command to all axes. This command may be executed at any time, unless the acceleration value has been changed and a trajectory has not been completed or the motor has not been manually stopped. If STT is issued during motion and acceleration has been changed, a command error interrupt will be generated and the command will be ignored.

## Data Reporting Commands

The following seven LM628 user commands are used to obtain data from various registers in the LM628. Status, position, and velocity information are reported. With the exception of RDSTAT, the data is read from the LM628 data port after first writing the corresponding command to the command port.

### RDSTAT COMMAND: READ STATUS BYTE

**Command Code:** None

**Byte Read:** One

**Data Range:** See Text

**Executable During Motion:** Yes

The RDSTAT command is really not a command, but is listed with the other commands because it is used very frequently to control communications with the host computer. There is no identification code; it is directly supported by the hardware and may be executed at any time. The single-byte status read is selected by placing CS, PS and RD at logic zero. See [Table 7](#).

**Table 7. Status Byte Bit Allocation**

Bit Position	Function
Bit 7	Motor Off
Bit 6	Breakpoint Reached [Interrupt]
Bit 5	Excessive Position Error [Interrupt]
Bit 4	Wraparound Occurred [Interrupt]
Bit 3	Index Pulse Observed [Interrupt]
Bit 2	Trajectory Complete [Interrupt]
Bit 1	Command Error [Interrupt]
Bit 0	Busy Bit

Bit 7, the motor-off flag, is set to logic one when the motor drive output is off (at the half-scale, offset-binary code for zero). The motor is turned off by any of the following conditions: power-up reset, command RESET, excessive position error (if command LPES had been executed), or when command LTRJ is used to manually stop the motor via turning the motor off. Note that when bit 7 is set in conjunction with command LTRJ for producing a manual, motor-off stop, the actual setting of bit 7 does not occur until command STT is issued to affect the stop. Bit 7 is cleared by command STT, except as described in the previous sentence.

Bit 6, the breakpoint-reached interrupt flag, is set to logic one when the position breakpoint loaded via command SBPA or SBPR has been exceeded. The flag is functional independent of the host interrupt mask status. Bit 6 is cleared via command RSTI.

Bit 5, the excessive-position-error interrupt flag, is set to logic one when a position-error interrupt condition exists. This occurs when the error threshold loaded via command LPEI or LPES has been exceeded. The flag is functional independent of the host interrupt mask status. Bit 5 is cleared via command RSTI.

Bit 4, the wraparound interrupt flag, is set to logic one when a numerical “wraparound” has occurred. To “wraparound” means to exceed the position address space of the LM628, which could occur during velocity mode operation. If a wraparound has occurred, then position information will be in error and this interrupt helps the user to ensure position data integrity. The flag is functional independent of the host interrupt mask status. Bit 4 is cleared via command RSTI.

Bit 3, the index-pulse acquired interrupt flag, is set to logic one when an index pulse has occurred (if command SIP had been executed) and indicates that the index position register has been updated. The flag is functional independent of the host interrupt mask status. Bit 3 is cleared by command RSTI.

Bit 2, the trajectory complete interrupt flag, is set to logic one when the trajectory programmed by the LTRJ command and initiated by the STT command has been completed. Because of overshoot or a limiting condition (such as commanding the velocity to be higher than the motor can achieve), the motor may not yet be at the final commanded position. This bit is the logical OR of bits 7 and 10 of the Signals Register, see command RDSIGS below. The flag functions independently of the host interrupt mask status. Bit 2 is cleared via command RSTI.

Bit 1, the command-error interrupt flag, is set to logic one when the user attempts to read data when a write was appropriate (or vice versa). The flag is functional independent of the host interrupt mask status. Bit 1 is cleared via command RSTI.

Bit 0, the busy flag, is frequently tested by the user (via the host computer program) to determine the busy/ready status prior to writing and reading any data. Such writes and reads may be executed only when bit 0 is logic zero (not busy). Any command or data writes when the busy bit is high will be ignored. Any data reads when the busy bit is high will read the current contents of the I/O port buffers, not the data expected by the host. Such reads or writes (with the busy bit high) will not generate a command-error interrupt.

### RDSIGS COMMAND: READ SIGNALS REGISTER

**Command Code:** 0C Hex

**Bytes Read:** Two

**Data Range:** See Text

**Executable During Motion:** Yes

The LM628 internal “signals” register may be read using this command. The first byte read is the more significant. The less significant byte of this register (with the exception of bit 0) duplicates the status byte. See [Table 8](#).

**Table 8. Signals Register Bit Allocation**

Bit Position	Function
Bit 15	Host Interrupt
Bit 14	Acceleration Loaded (But Not Updated)
Bit 13	UDF Executed (But Filter Not yet Updated)
Bit 12	Forward Direction
Bit 11	Velocity Mode
Bit 10	On Target
Bit 9	Turn Off upon Excessive Position Error
Bit 8	Eight-Bit Output Mode
Bit 7	Motor Off
Bit 6	Breakpoint Reached [Interrupt]
Bit 5	Excessive Position Error [Interrupt]
Bit 4	Wraparound Occurred [Interrupt]
Bit 3	Index Pulse Acquired [Interrupt]
Bit 2	Trajectory Complete [Interrupt]
Bit 1	Command Error [Interrupt]
Bit 0	Acquire Next Index (SIP Executed)

Bit 15, the host interrupt flag, is set to logic one when the host interrupt output (Pin 17) is logic one. Pin 17 is set to logic one when any of the six host interrupt conditions occur (if the corresponding interrupt has not been masked). Bit 15 (and Pin 17) are cleared via command RSTI.

Bit 14, the acceleration-loaded flag, is set to logic one when acceleration data is written to the LM628. Bit 14 is cleared by the STT command.

Bit 13, the UDF-executed flag, is set to logic one when the UDF command is executed. Because bit 13 is cleared at the end of the sampling interval in which it has been set, this signal is very short-lived and probably not very profitable for monitoring.

Bit 12, the forward direction flag, is meaningful only when the LM628 is in velocity mode. The bit is set to logic one to indicate that the desired direction of motion is “forward”; zero indicates “reverse” direction. Bit 12 is set and cleared via command LTRJ. The actual setting and clearing of bit 12 does not occur until command STT is executed.

Bit 11, the velocity mode flag, is set to logic one to indicate that the user has selected (via command LTRJ) velocity mode. Bit 11 is cleared when position mode is selected (via command LTRJ). The actual setting and clearing of bit 11 does not occur until command STT is executed.

Bit 10, the on-target flag, is set to logic one when the trajectory generator has completed its functions for the last-issued STT command. Bit 10 is cleared by the next STT command.

Bit 9, the turn-off on-error flag, is set to logic one when command LPES is executed. Bit 9 is cleared by command LPEI.

Bit 8, the 8-bit output flag, is set to logic one when the LM628 is reset, or when command PORT8 is executed. Bit 8 is cleared by command PORT12.

Bits 0 through 7 replicate the status byte (see [Table 7](#)), with the exception of bit 0. Bit 0, the acquire next index flag, is set to logic one when command SIP is executed; it then remains set until the next index pulse occurs.

#### **RDIP COMMAND: READ INDEX POSITION**

**Command Code:** 09 Hex

**Bytes Read:** Four

**Data Range:** C0000000 to 3FFFFFFF Hex

**Executable During Motion:** Yes

This command reads the position recorded in the index register. Reading the index register can be part of a system error checking scheme. Whenever the SIP command is executed, the new index position minus the old index position, divided by the incremental encoder resolution (encoder lines times four), should always be an integral number. The RDIP command facilitates acquiring these data for host-based calculations. The command can also be used to identify/verify home or some other special position. The bytes are read in most-to-least significant order.

#### **RDDP COMMAND: READ DESIRED POSITION**

**Command Code:** 08 Hex

**Bytes Read:** Four

**Data Range:** C0000000 to 3FFFFFFF Hex

**Executable During Motion:** Yes

This command reads the instantaneous desired (current *temporal*) position output of the profile generator. This is the “setpoint” input to the position-loop summing junction. The bytes are read in most-to-least significant order.

#### **RDRP COMMAND: READ REAL POSITION**

**Command Code:** 0A Hex

**Bytes Read:** Four

**Data Range:** C0000000 to 3FFFFFFF Hex

**Executable During Motion:** Yes

This command reads the current actual position of the motor. This is the feedback input to the loop summing junction. The bytes are read in most-to-least significant order.



**RDDV COMMAND: READ DESIRED VELOCITY****Command Code:** 07 Hex**Bytes Read:** Four**Data Range:** C0000001 to 3FFFFFFF**Executable During Motion:** Yes

This command reads the integer and fractional portions of the instantaneous desired (current *temporal*) velocity, as used to generate the desired position profile. The bytes are read in most-to-least significant order. The value read is properly scaled for numerical comparison with the user-supplied (commanded) velocity; however, because the two least-significant bytes represent *fractional* velocity, only the two most-significant bytes are appropriate for comparison with the data obtained via command RDRV (see below). Also note that, although the velocity *input* data is constrained to positive numbers (see command LTRJ), the data returned by command RDDV represents a *signed* quantity where negative numbers represent operation in the reverse direction.

**RDRV COMMAND: READ REAL VELOCITY****Command Code:** 0B Hex**Bytes Read:** Two**Data Range:** C000 to 3FFF Hex, See Text**Executable During Motion:** Yes

This command reads the *integer* portion of the instantaneous actual velocity of the motor. The internally maintained fractional portion of velocity is not reported because the reported data is derived by reading the incremental encoder, which produces only integer data. For comparison with the result obtained by executing command RDDV (or the user-supplied input value), the value returned by command RDRV must be multiplied by  $2^{16}$  (shifted left 16 bit positions). Also, as with command RDDV above, data returned by command RDRV is a *signed* quantity, with negative values representing reverse-direction motion.

**RDSUM COMMAND: READ INTEGRATION-TERM SUMMATION VALUE****Command Code:** 0D Hex**Bytes Read:** Two**Data Range:** 00000 Hex to  $\pm$  the Current Value of the Integration Limit**Executable During Motion:** Yes

This command reads the value to which the integration term has accumulated. The ability to read this value may be helpful in initially or adaptively tuning the system.

**Typical Applications****PROGRAMMING LM628 HOST HANDSHAKING (INTERRUPTS)**

A few words regarding the LM628 host handshaking will be helpful to the system programmer. As indicated in various portions of the above text, the LM628 handshakes with the host computer in two ways: via the host interrupt output (Pin 17), or via polling the status byte for “interrupt” conditions. When the hardwired interrupt is used, the status byte is also read and parsed to determine which of six possible conditions caused the interrupt.

When using the hardwired interrupt it is very important that the host interrupt service routine does not interfere with a command sequence which might have been in progress when the interrupt occurred. If the host interrupt service routine were to issue a command to the LM628 while it is in the middle of an ongoing command sequence, the ongoing command will be aborted (which could be detrimental to the application).

Two approaches exist for avoiding this problem. If one is using hardwired interrupts, they should be disabled at the host prior to issuing any LM628 command sequence, and re-enabled after each command sequence. The second approach is to avoid hardwired interrupts and poll the LM628 status byte for “interrupt” status. The status byte always reflects the interrupt-condition status, independent of whether or not the interrupts have been masked.



## TYPICAL HOST COMPUTER/PROCESSOR INTERFACE

The LM628 is interfaced with the host computer/processor via an 8-bit parallel bus. [Figure 13](#) shows such an interface and a minimum system configuration.

As shown in [Figure 13](#), the LM628 interfaces with the host data, address and control lines. The address lines are decoded to generate the LM628  $\overline{\text{CS}}$  input; the host address LSB directly drives the LM628  $\overline{\text{PS}}$  input. [Figure 13](#) also shows an 8-bit DAC and an LM12 Power Op Amp interfaced to the LM628.

## LM628 AND HIGH PERFORMANCE CONTROLLER (HPC) INTERFACE

[Figure 14](#) shows the LM628 interfaced to a HPC High Performance Controller. The delay and logic associated with the  $\overline{\text{WR}}$  line is used to effectively increase the write-data hold time of the HPC (as seen at the LM628) by causing the  $\overline{\text{WR}}$  pulse to rise early. Note that the HPC CK2 output provides the clock for the LM628. The 74LS245 is used to decrease the read-data hold time, which is necessary when interfacing to fast host busses.

## INTERFACING A 12-BIT DAC

[Figure 15](#) illustrates use of a 12-bit DAC with the LM628. The 74LS378 hex gated-D flip-flop and an inverter demultiplex the 12-bit output. DAC offset must be adjusted to minimize DAC linearity and monotonicity errors. Two methods exist for making this adjustment. If the DAC1210 has been socketed, remove it and temporarily connect a 15 k $\Omega$  resistor between Pins 11 and 13 of the DAC socket (Pins 2 and 6 of the LF356) and adjust the 25 k $\Omega$  potentiometer for 0V at Pin 6 of the LF356.

If the DAC is not removable, the second method of adjustment requires that the DAC1210 inputs be presented an all-zeros code. This can be arranged by commanding the appropriate move via the LM628, but with no feedback from the system encoder. When the all-zeros code is present, adjust the pot for 0V at Pin 6 of the LF356.

## A MONOLITHIC LINEAR DRIVE USING LM12 POWER OP AMP

[Figure 16](#) shows a motor-drive amplifier built using the LM12 Power Operational Amplifier. This circuit is very simple and can deliver up to 8A at 30V (using the LM12L/LM12CL). Resistors R1 and R2 should be chosen to set the gain to provide maximum output voltage consistent with maximum input voltage. This example provides a gain of 2.2, which allows for amplifier output saturation at  $\pm 22\text{V}$  with a  $\pm 10\text{V}$  input, assuming power supply voltages of  $\pm 30\text{V}$ . The amplifier gain should not be higher than necessary because the system is non-linear when saturated, and because gain should be controlled by the LM628. The LM12 can also be configured as a current driver, see 1987 Linear Databook, Vol. 1, p. 2–280.

## TYPICAL PWM MOTOR DRIVE INTERFACES

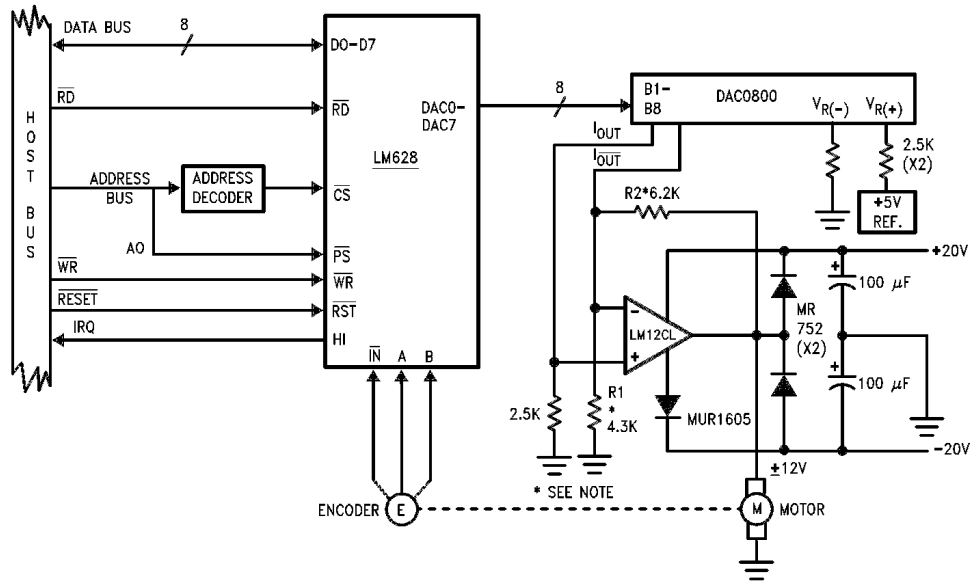
[Figure 17](#) shows an LM18298 dual full-bridge driver interfaced to the LM629 PWM outputs to provide a switch-mode power amplifier for driving small brush/commutator motors.

### *Incremental Encoder Interface*

The incremental (position feedback) encoder interface consists of three lines: Phase A (Pin 2), Phase B (Pin 3), and Index (Pin 1). The index pulse output is not available on some encoders. The LM628 will work with both encoder types, but commands SIP and RDIP will not be meaningful without an index pulse (or alternative input for this input ... be sure to tie Pin 1 high if not used).

Some consideration is merited relative to use in high Gaussian-noise environments. If noise is added to the encoder inputs (either or both inputs) and is such that it is not sustained until the next encoder transition, the LM628 decoder logic will reject it. Noise that mimics quadrature counts or persists through encoder transitions must be eliminated by appropriate EMI design.

Simple digital “filtering” schemes merely reduce susceptibility to noise (there will always be noise pulses longer than the filter can eliminate). Further, any noise filtering scheme reduces decoder bandwidth. In the LM628 it was decided (since simple filtering does not eliminate the noise problem) to not include a noise filter in favor of offering maximum possible decoder bandwidth. Attempting to drive encoder signals too long a distance with simple TTL lines can also be a source of “noise” in the form of signal degradation (poor risetime and/or ringing). This can also cause a system to lose positional integrity. Probably the most effective countermeasure to noise induction can be had by using balanced-line drivers and receivers on the encoder inputs. [Figure 18](#) shows circuitry using the DS26LS31 and DS26LS32.



**Note:**

$$A_v = \frac{R1 + R2}{R1} \approx 2.4$$

$$\frac{R1 \times R2}{R1 + R2} = 2.5k$$

Figure 13. Host Interface and Minimum System Configuration

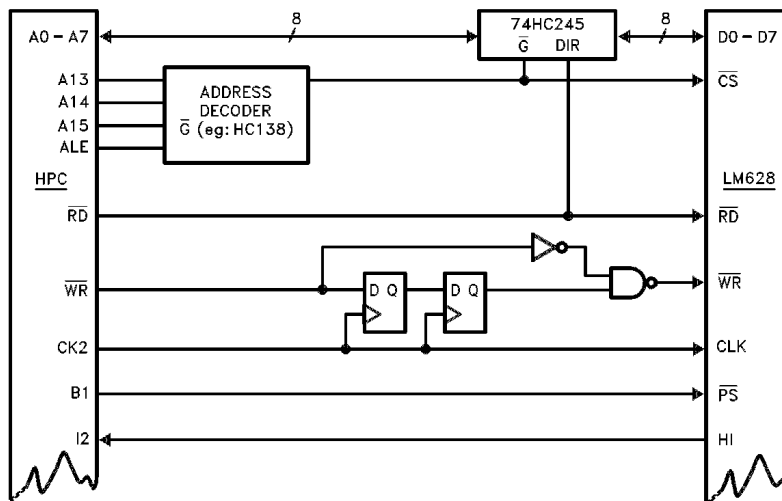
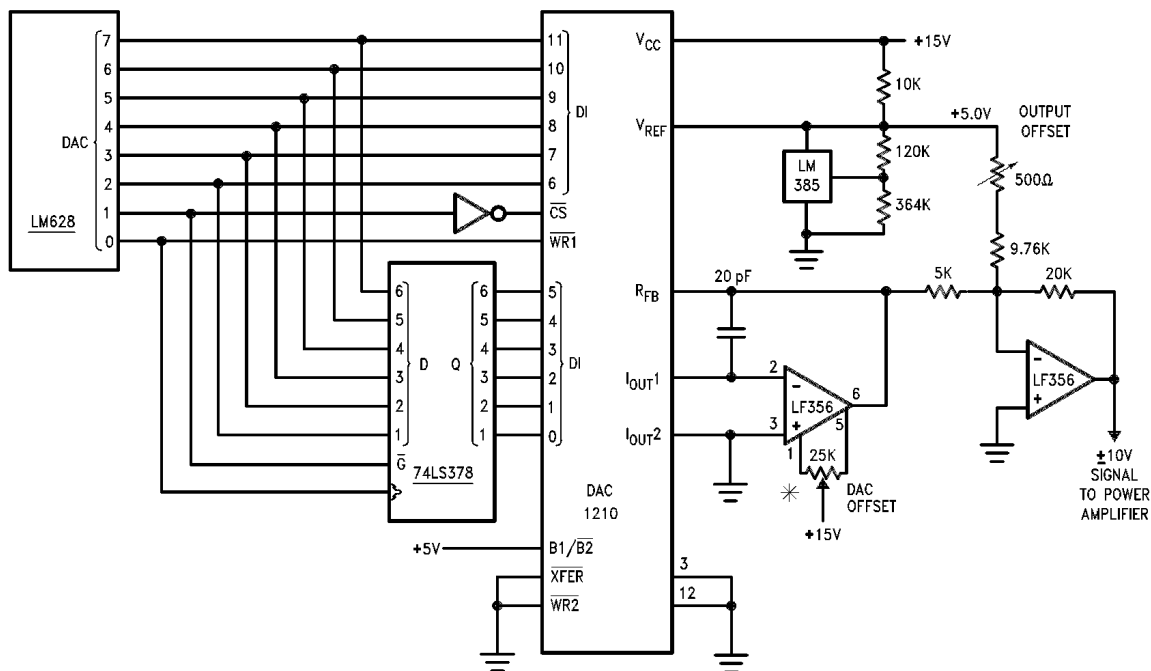


Figure 14. LM628 and HPC Interface



\*DAC offset must be adjusted to minimize DAC linearity and monotonicity errors. See text.

Figure 15. Interfacing a 12-Bit DAC and LM628

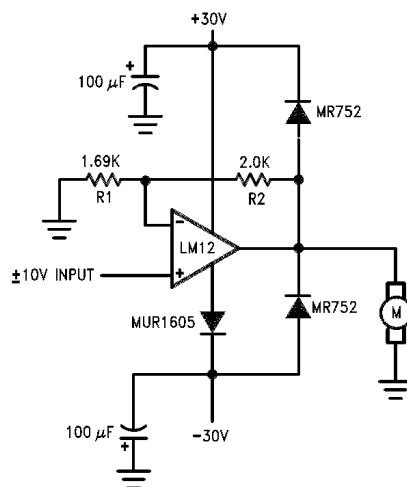


Figure 16. Driving a Motor with the LM12 Power Op Amp

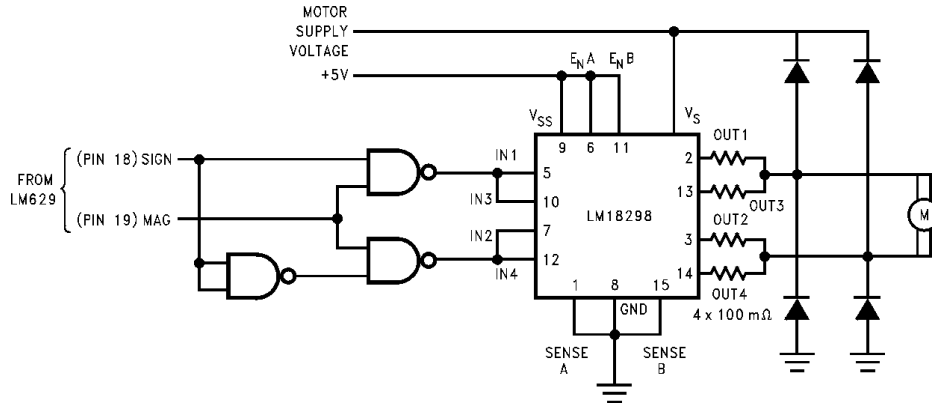


Figure 17. PWM Drive for Brush/Commutator Motors

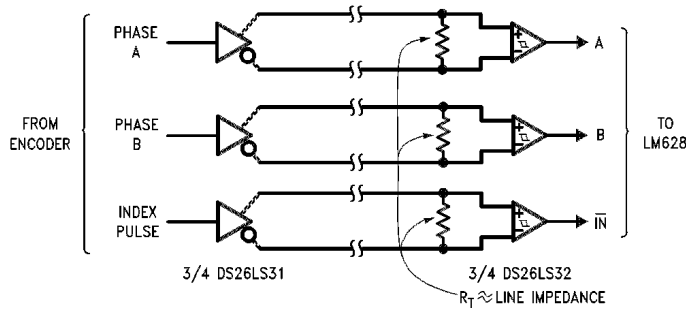


Figure 18. Typical Balanced-Line Encoder Input Circuit

---

**REVISION HISTORY**

<b>Changes from Revision B (March 2013) to Revision C</b>	<b>Page</b>
<hr/> <ul style="list-style-type: none"><li>• Changed layout of National Data Sheet to TI format .....</li></ul>	<hr/> <a href="#">28</a>

**PACKAGING INFORMATION**

Orderable Device	Status (1)	Package Type	Package Drawing	Pins	Package Qty	Eco Plan (2)	Lead/Ball Finish (6)	MSL Peak Temp (3)	Op Temp (°C)	Device Marking (4/5)	Samples
LM628N-6/NOPB	LIFEBUY	PDIP	N	28	13	Green (RoHS & no Sb/Br)	CU SN	Level-1-NA-UNLIM	-40 to 85	LM628N-6	
LM628N-8	NRND	PDIP	N	28	13	TBD	Call TI	Call TI	-40 to 85	LM628N-8	
LM628N-8/NOPB	LIFEBUY	PDIP	N	28	13	Green (RoHS & no Sb/Br)	CU SN	Level-1-NA-UNLIM	-40 to 85	LM628N-8	
LM629M-6/NOPB	ACTIVE	SOIC	DW	24	30	Green (RoHS & no Sb/Br)	CU SN	Level-3-260C-168 HR	-40 to 85	LM629M-6	Samples
LM629M-8	NRND	SOIC	DW	24	30	TBD	Call TI	Call TI	-40 to 85	LM629M-8	
LM629M-8/NOPB	ACTIVE	SOIC	DW	24	30	Green (RoHS & no Sb/Br)	CU SN	Level-3-260C-168 HR	-40 to 85	LM629M-8	Samples
LM629MX-8/NOPB	ACTIVE	SOIC	DW	24	1000	Green (RoHS & no Sb/Br)	CU SN	Level-3-260C-168 HR	-40 to 85	LM629M-8	Samples
LM629N-6/NOPB	LIFEBUY	PDIP	N	28	13	Green (RoHS & no Sb/Br)	CU SN	Level-1-NA-UNLIM	-40 to 85	LM629N-6	
LM629N-8/NOPB	LIFEBUY	PDIP	N	28	13	Green (RoHS & no Sb/Br)	CU SN	Level-1-NA-UNLIM	-40 to 85	LM629N-8	

(1) The marketing status values are defined as follows:

**ACTIVE:** Product device recommended for new designs.

**LIFEBUY:** TI has announced that the device will be discontinued, and a lifetime-buy period is in effect.

**NRND:** Not recommended for new designs. Device is in production to support existing customers, but TI does not recommend using this part in a new design.

**PREVIEW:** Device has been announced but is not in production. Samples may or may not be available.

**OBSELETE:** TI has discontinued the production of the device.

(2) **RoHS:** TI defines "RoHS" to mean semiconductor products that are compliant with the current EU RoHS requirements for all 10 RoHS substances, including the requirement that RoHS substance do not exceed 0.1% by weight in homogeneous materials. Where designed to be soldered at high temperatures, "RoHS" products are suitable for use in specified lead-free processes. TI may reference these types of products as "Pb-Free".

**RoHS Exempt:** TI defines "RoHS Exempt" to mean products that contain lead but are compliant with EU RoHS pursuant to a specific EU RoHS exemption.

**Green:** TI defines "Green" to mean the content of Chlorine (Cl) and Bromine (Br) based flame retardants meet JS709B low halogen requirements of <=1000ppm threshold. Antimony trioxide based flame retardants must also meet the <=1000ppm threshold requirement.

(3) MSL, Peak Temp. - The Moisture Sensitivity Level rating according to the JEDEC industry standard classifications, and peak solder temperature.

(4) There may be additional marking, which relates to the logo, the lot trace code information, or the environmental category on the device.

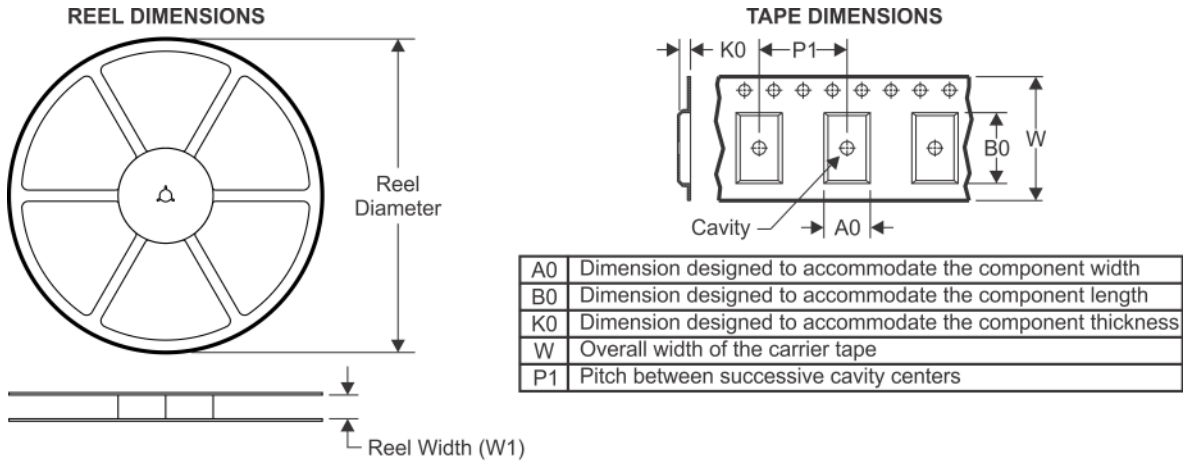
<sup>(5)</sup> Multiple Device Markings will be inside parentheses. Only one Device Marking contained in parentheses and separated by a "-" will appear on a device. If a line is indented then it is a continuation of the previous line and the two combined represent the entire Device Marking for that device.

<sup>(6)</sup> Lead/Ball Finish - Orderable Devices may have multiple material finish options. Finish options are separated by a vertical ruled line. Lead/Ball Finish values may wrap to two lines if the finish value exceeds the maximum column width.

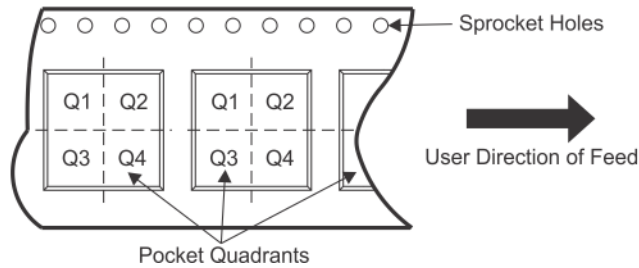
**Important Information and Disclaimer:**The information provided on this page represents TI's knowledge and belief as of the date that it is provided. TI bases its knowledge and belief on information provided by third parties, and makes no representation or warranty as to the accuracy of such information. Efforts are underway to better integrate information from third parties. TI has taken and continues to take reasonable steps to provide representative and accurate information but may not have conducted destructive testing or chemical analysis on incoming materials and chemicals. TI and TI suppliers consider certain information to be proprietary, and thus CAS numbers and other limited information may not be available for release.

In no event shall TI's liability arising out of such information exceed the total purchase price of the TI part(s) at issue in this document sold by TI to Customer on an annual basis.

## TAPE AND REEL INFORMATION



### QUADRANT ASSIGNMENTS FOR PIN 1 ORIENTATION IN TAPE



\*All dimensions are nominal

Device	Package Type	Package Drawing	Pins	SPQ	Reel Diameter (mm)	Reel Width W1 (mm)	A0 (mm)	B0 (mm)	K0 (mm)	P1 (mm)	W (mm)	Pin1 Quadrant
LM629MX-8/NOPB	SOIC	DW	24	1000	330.0	24.4	10.8	15.9	3.2	12.0	24.0	Q1



**TAPE AND REEL BOX DIMENSIONS**

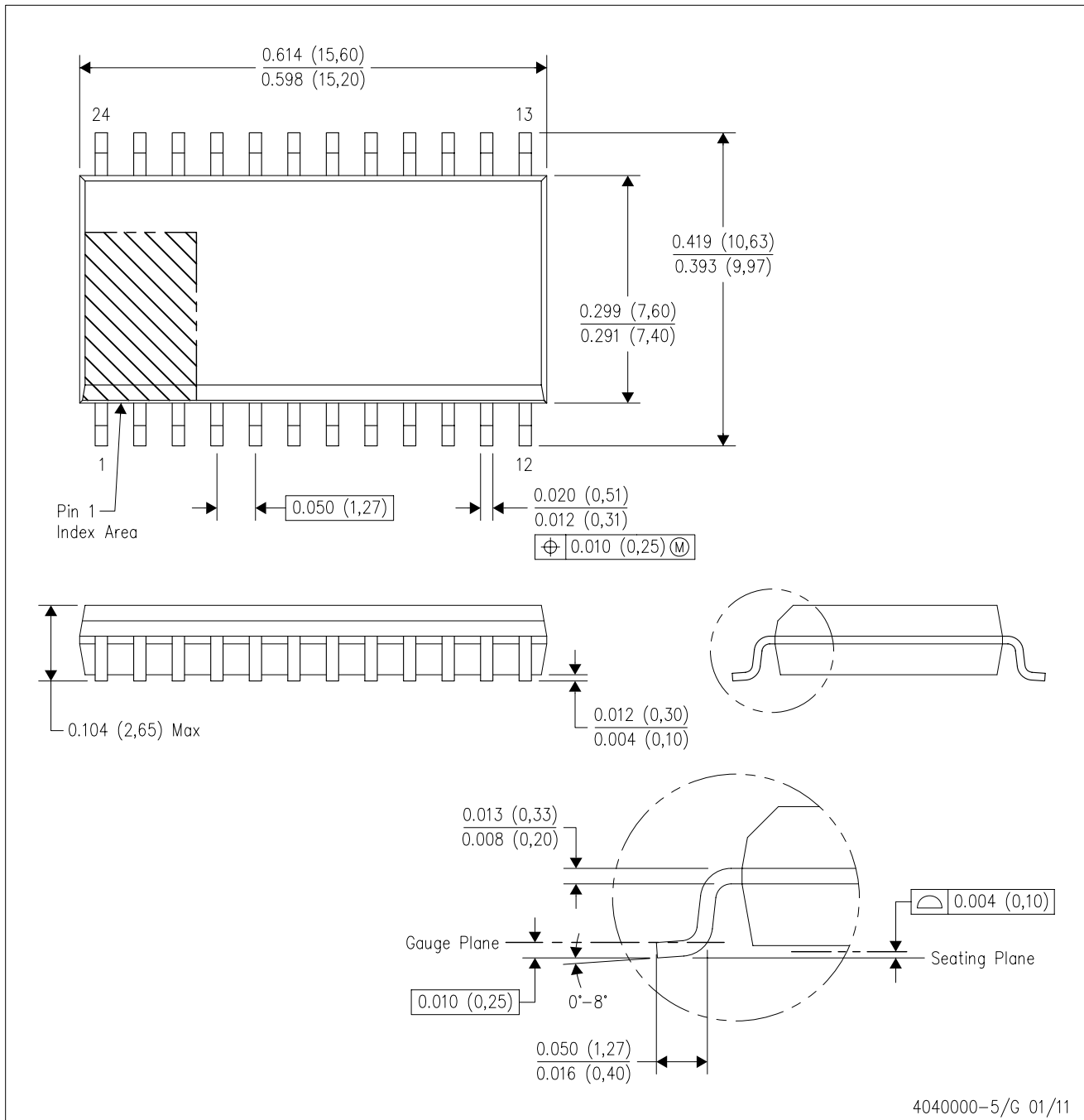


\*All dimensions are nominal

Device	Package Type	Package Drawing	Pins	SPQ	Length (mm)	Width (mm)	Height (mm)
LM629MX-8/NOPB	SOIC	DW	24	1000	367.0	367.0	45.0

DW (R-PDSO-G24)

PLASTIC SMALL OUTLINE



- NOTES:
- A. All linear dimensions are in inches (millimeters). Dimensioning and tolerancing per ASME Y14.5M-1994.
  - B. This drawing is subject to change without notice.
  - C. Body dimensions do not include mold flash or protrusion not to exceed 0.006 (0,15).
  - D. Falls within JEDEC MS-013 variation AD.

## IMPORTANT NOTICE

Texas Instruments Incorporated (TI) reserves the right to make corrections, enhancements, improvements and other changes to its semiconductor products and services per JESD46, latest issue, and to discontinue any product or service per JESD48, latest issue. Buyers should obtain the latest relevant information before placing orders and should verify that such information is current and complete.

TI's published terms of sale for semiconductor products (<http://www.ti.com/sc/docs/stdterms.htm>) apply to the sale of packaged integrated circuit products that TI has qualified and released to market. Additional terms may apply to the use or sale of other types of TI products and services.

Reproduction of significant portions of TI information in TI data sheets is permissible only if reproduction is without alteration and is accompanied by all associated warranties, conditions, limitations, and notices. TI is not responsible or liable for such reproduced documentation. Information of third parties may be subject to additional restrictions. Resale of TI products or services with statements different from or beyond the parameters stated by TI for that product or service voids all express and any implied warranties for the associated TI product or service and is an unfair and deceptive business practice. TI is not responsible or liable for any such statements.

Buyers and others who are developing systems that incorporate TI products (collectively, "Designers") understand and agree that Designers remain responsible for using their independent analysis, evaluation and judgment in designing their applications and that Designers have full and exclusive responsibility to assure the safety of Designers' applications and compliance of their applications (and of all TI products used in or for Designers' applications) with all applicable regulations, laws and other applicable requirements. Designer represents that, with respect to their applications, Designer has all the necessary expertise to create and implement safeguards that (1) anticipate dangerous consequences of failures, (2) monitor failures and their consequences, and (3) lessen the likelihood of failures that might cause harm and take appropriate actions. Designer agrees that prior to using or distributing any applications that include TI products, Designer will thoroughly test such applications and the functionality of such TI products as used in such applications.

TI's provision of technical, application or other design advice, quality characterization, reliability data or other services or information, including, but not limited to, reference designs and materials relating to evaluation modules, (collectively, "TI Resources") are intended to assist designers who are developing applications that incorporate TI products; by downloading, accessing or using TI Resources in any way, Designer (individually or, if Designer is acting on behalf of a company, Designer's company) agrees to use any particular TI Resource solely for this purpose and subject to the terms of this Notice.

TI's provision of TI Resources does not expand or otherwise alter TI's applicable published warranties or warranty disclaimers for TI products, and no additional obligations or liabilities arise from TI providing such TI Resources. TI reserves the right to make corrections, enhancements, improvements and other changes to its TI Resources. TI has not conducted any testing other than that specifically described in the published documentation for a particular TI Resource.

Designer is authorized to use, copy and modify any individual TI Resource only in connection with the development of applications that include the TI product(s) identified in such TI Resource. NO OTHER LICENSE, EXPRESS OR IMPLIED, BY ESTOPPEL OR OTHERWISE TO ANY OTHER TI INTELLECTUAL PROPERTY RIGHT, AND NO LICENSE TO ANY TECHNOLOGY OR INTELLECTUAL PROPERTY RIGHT OF TI OR ANY THIRD PARTY IS GRANTED HEREIN, including but not limited to any patent right, copyright, mask work right, or other intellectual property right relating to any combination, machine, or process in which TI products or services are used. Information regarding or referencing third-party products or services does not constitute a license to use such products or services, or a warranty or endorsement thereof. Use of TI Resources may require a license from a third party under the patents or other intellectual property of the third party, or a license from TI under the patents or other intellectual property of TI.

TI RESOURCES ARE PROVIDED "AS IS" AND WITH ALL FAULTS. TI DISCLAIMS ALL OTHER WARRANTIES OR REPRESENTATIONS, EXPRESS OR IMPLIED, REGARDING RESOURCES OR USE THEREOF, INCLUDING BUT NOT LIMITED TO ACCURACY OR COMPLETENESS, TITLE, ANY EPIDEMIC FAILURE WARRANTY AND ANY IMPLIED WARRANTIES OF MERCHANTABILITY, FITNESS FOR A PARTICULAR PURPOSE, AND NON-INFRINGEMENT OF ANY THIRD PARTY INTELLECTUAL PROPERTY RIGHTS. TI SHALL NOT BE LIABLE FOR AND SHALL NOT DEFEND OR INDEMNIFY DESIGNER AGAINST ANY CLAIM, INCLUDING BUT NOT LIMITED TO ANY INFRINGEMENT CLAIM THAT RELATES TO OR IS BASED ON ANY COMBINATION OF PRODUCTS EVEN IF DESCRIBED IN TI RESOURCES OR OTHERWISE. IN NO EVENT SHALL TI BE LIABLE FOR ANY ACTUAL, DIRECT, SPECIAL, COLLATERAL, INDIRECT, PUNITIVE, INCIDENTAL, CONSEQUENTIAL OR EXEMPLARY DAMAGES IN CONNECTION WITH OR ARISING OUT OF TI RESOURCES OR USE THEREOF, AND REGARDLESS OF WHETHER TI HAS BEEN ADVISED OF THE POSSIBILITY OF SUCH DAMAGES.

Unless TI has explicitly designated an individual product as meeting the requirements of a particular industry standard (e.g., ISO/TS 16949 and ISO 26262), TI is not responsible for any failure to meet such industry standard requirements.

Where TI specifically promotes products as facilitating functional safety or as compliant with industry functional safety standards, such products are intended to help enable customers to design and create their own applications that meet applicable functional safety standards and requirements. Using products in an application does not by itself establish any safety features in the application. Designers must ensure compliance with safety-related requirements and standards applicable to their applications. Designer may not use any TI products in life-critical medical equipment unless authorized officers of the parties have executed a special contract specifically governing such use. Life-critical medical equipment is medical equipment where failure of such equipment would cause serious bodily injury or death (e.g., life support, pacemakers, defibrillators, heart pumps, neurostimulators, and implantables). Such equipment includes, without limitation, all medical devices identified by the U.S. Food and Drug Administration as Class III devices and equivalent classifications outside the U.S.

TI may expressly designate certain products as completing a particular qualification (e.g., Q100, Military Grade, or Enhanced Product). Designers agree that it has the necessary expertise to select the product with the appropriate qualification designation for their applications and that proper product selection is at Designers' own risk. Designers are solely responsible for compliance with all legal and regulatory requirements in connection with such selection.

Designer will fully indemnify TI and its representatives against any damages, costs, losses, and/or liabilities arising out of Designer's non-compliance with the terms and provisions of this Notice.