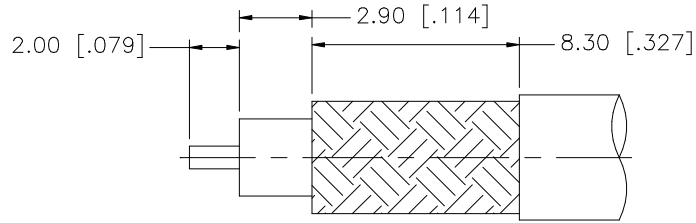
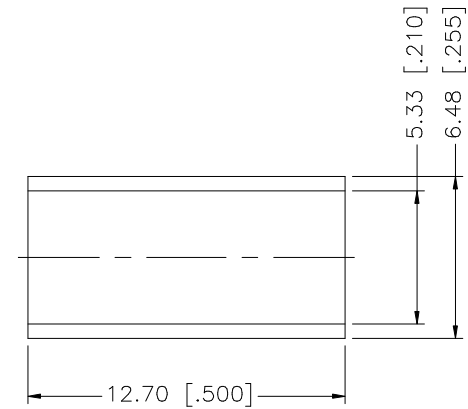
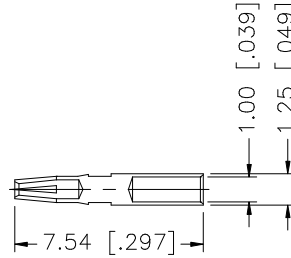
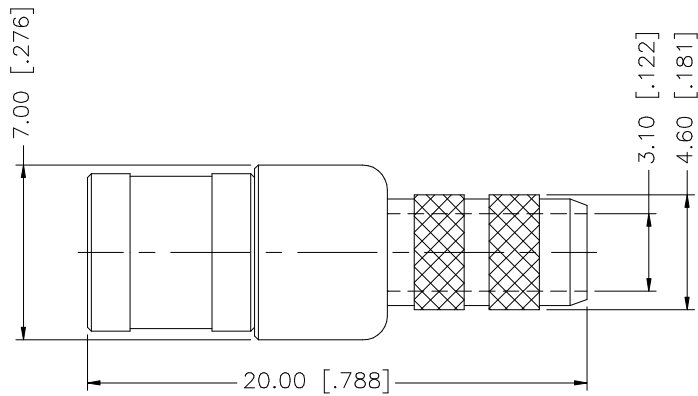


| REV. | DATE | DESCRIPTION |
|------|----------|-----------------------|
| NC | 11/08/99 | INITIAL RELEASE |
| A | 10/01/06 | UPDATE DRAWING FORMAT |



RECOMMENDED
CABLE STRIPPING DIM'S



NOTE:

1. CRIMPED FERRULE HEX CRIMP SIZE .213"

| | | | | UNLESS OTHERWISE SPECIFIED DIMENSIONS ARE IN MILLIMETERS, DIMENSIONS IN [] ARE IN INCHES AND FOR CUSTOMER REFERENCE ONLY. | APPROVALS | DATE | Amphenol Connex | | | | |
|-------------|-------------|-------------|---------|--|-------------------|--------|------------------------|---------------------------|--|--|----------|
| 8 | | | | UNLESS OTHERWISE SPECIFIED TOLERANCES FOR MILLIMETERS ARE: 0.5 - 8mm ± 0.20mm 8 - 30mm ± 0.40mm 30 - 120mm ± 0.50mm UNLESS OTHERWISE SPECIFIED TOLERANCES FOR INCHES ARE: .020 - .315 ± 0.007" .315 - 1.180 ± 0.015" 1.180 - 4.724 ± 0.020" | DRAWN | G.R.S. | | | | | 10/01/06 |
| 7 | | | | | CHECKED | | | PART NO. 142254 | | | |
| 6 | | | | ISSUED | | | DWG. NO. 142254.DWG | | | | |
| 5 | | | | SHEET | 1 OF 1 | | | | | | REV. A |
| 4 | FERRULE | COPPER | NICKEL | 1 | CAD FILE | | SCALE NA | | | | |
| 3 | CONTACT PIN | BER. COPPER | GOLD | 1 | C:/142/142254.DWG | | | | | | |
| 2 | INSULATOR | TEFLON | NATURAL | 1 | | | | | | | |
| 1 | BODY | BRASS | NICKEL | 1 | | | | | | | |
| DESCRIPTION | | | | MATERIAL | FINISH | QTY | DO NOT SCALE DRAWING | | | | |