

**Ratings**  
 Voltage: 150 V  
 Temperature: -40~70 °C

**Conductor**  
 Conductor count: 2  
 Gauge: 24 AWG 0.21 mm<sup>2</sup>  
 Material: Tinned copper strands  
 Strand size:  $\varnothing 0.08 \times 41$   
 Resistance at 20 °C: 95  $\Omega$  /km max

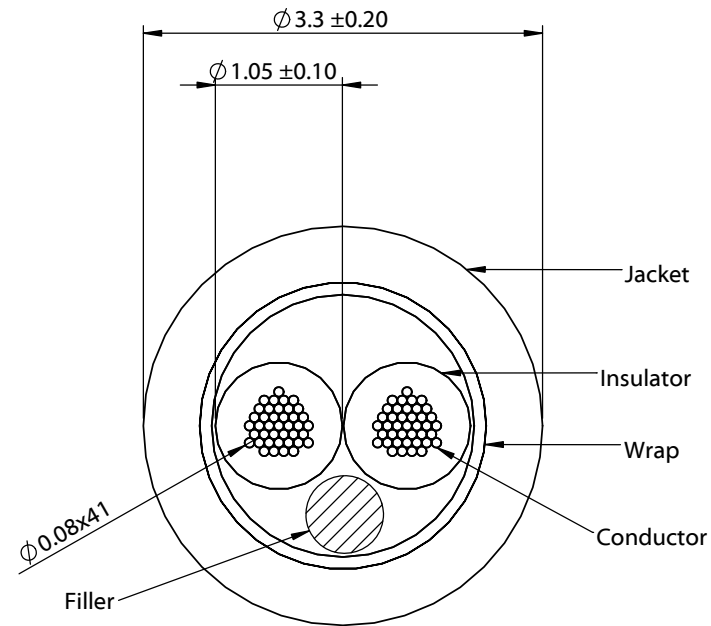
**Insulator**  
 Material: HDPE  
 Color: white, black  
 Diameter:  $\varnothing 1.05 \pm 0.10$  mm  
 Nominal thickness: 0.22 mm  
 Resistance at 20 °C: 100 M $\Omega$  /km min

**Wrap:**  
 Material: cotton paper

**Filler**  
 Material: aramid fiber

**Outer jacket**  
 Material: TPU  
 Color: white  
 Diameter:  $\varnothing 3.3 \pm 0.20$  mm  
 Nominal thickness: 0.5 mm

**Tests**  
 Tensility strength: 26 kgf min  
 Dielectric test: 1500 V dc for 1 minute without breakdown  
 Bend test at 200g,  $\pm 60^\circ$ , 30 cycles/min: 15,000 cycle minimum



Revision:	Date:	Description:
A	09/09/2022	Initial release

Prepared: **MP**  
Digitally signed by MP  
 Date: 2022.09.16  
 09:30:08  
 +07'00'

Verified: **PB**  
Digitally signed by PB  
 Date: 2022.09.22  
 09:58:09  
 +07'00'

Dimensions are in millimeters.  
 Tolerances:  
 X:  $\pm 0.5$  mm  
 X.X:  $\pm 0.3$  mm  
 X.XX:  $\pm 0.05$  mm

**Notes:**  
 RoHS compliant  
 Jacket meets ISO 10993 Biological Compatibility  
 Phthalate and halogen free  
 Function test: no open, no short, no intermittent

**Description:**  
 Wire, 2C TS, 24 AWG, 150V, 70C, 3.3 mm, TPU, 75A, white, WBL

**TENSILITY**

tel 1.541.323.3228 800 877.670.7118  
 fax 1.541.323.4202 web tensility.com

Size: A	Part number: 30-02777
Scale: 16:1	Sheet 1 of 1