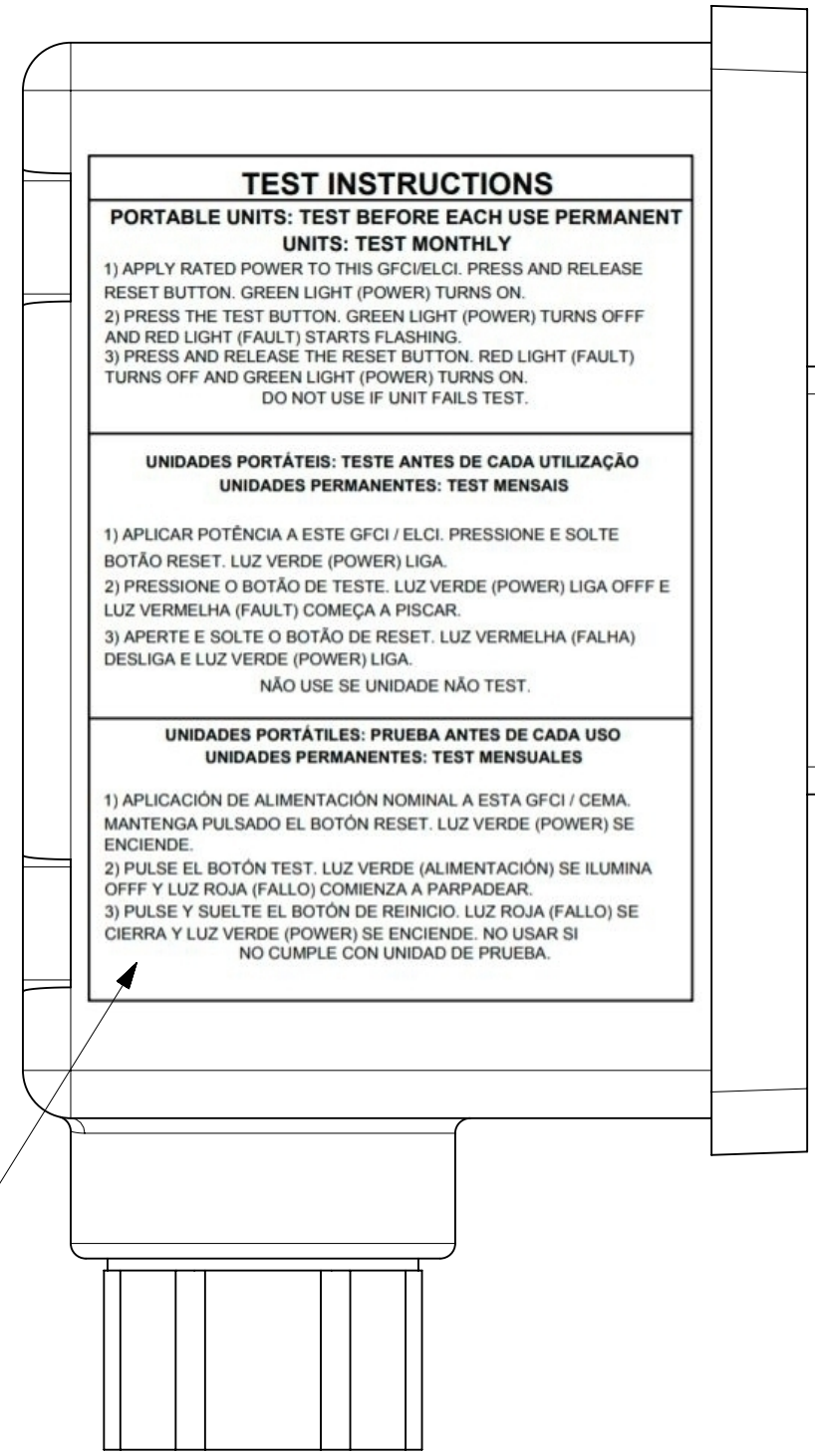
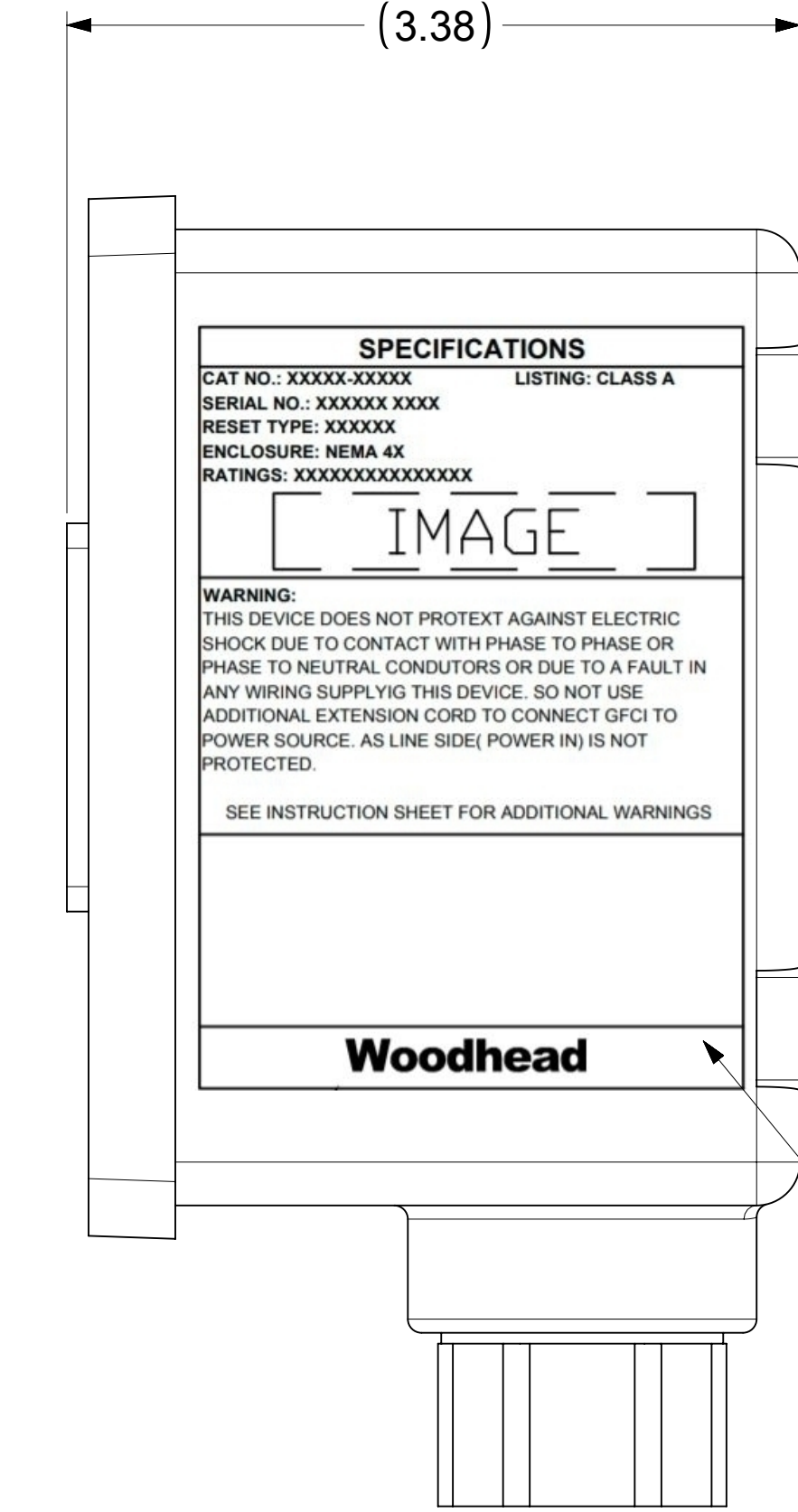
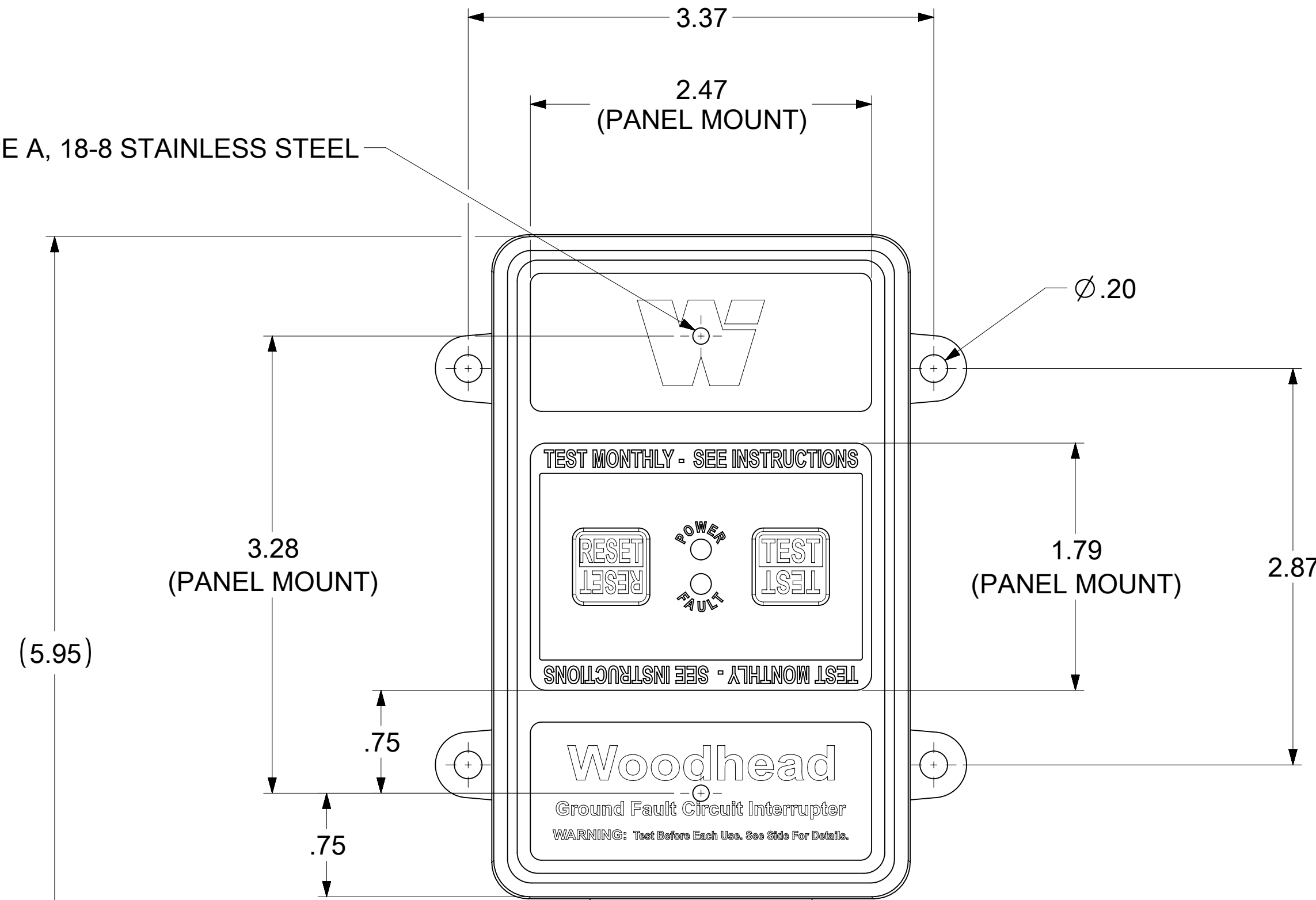


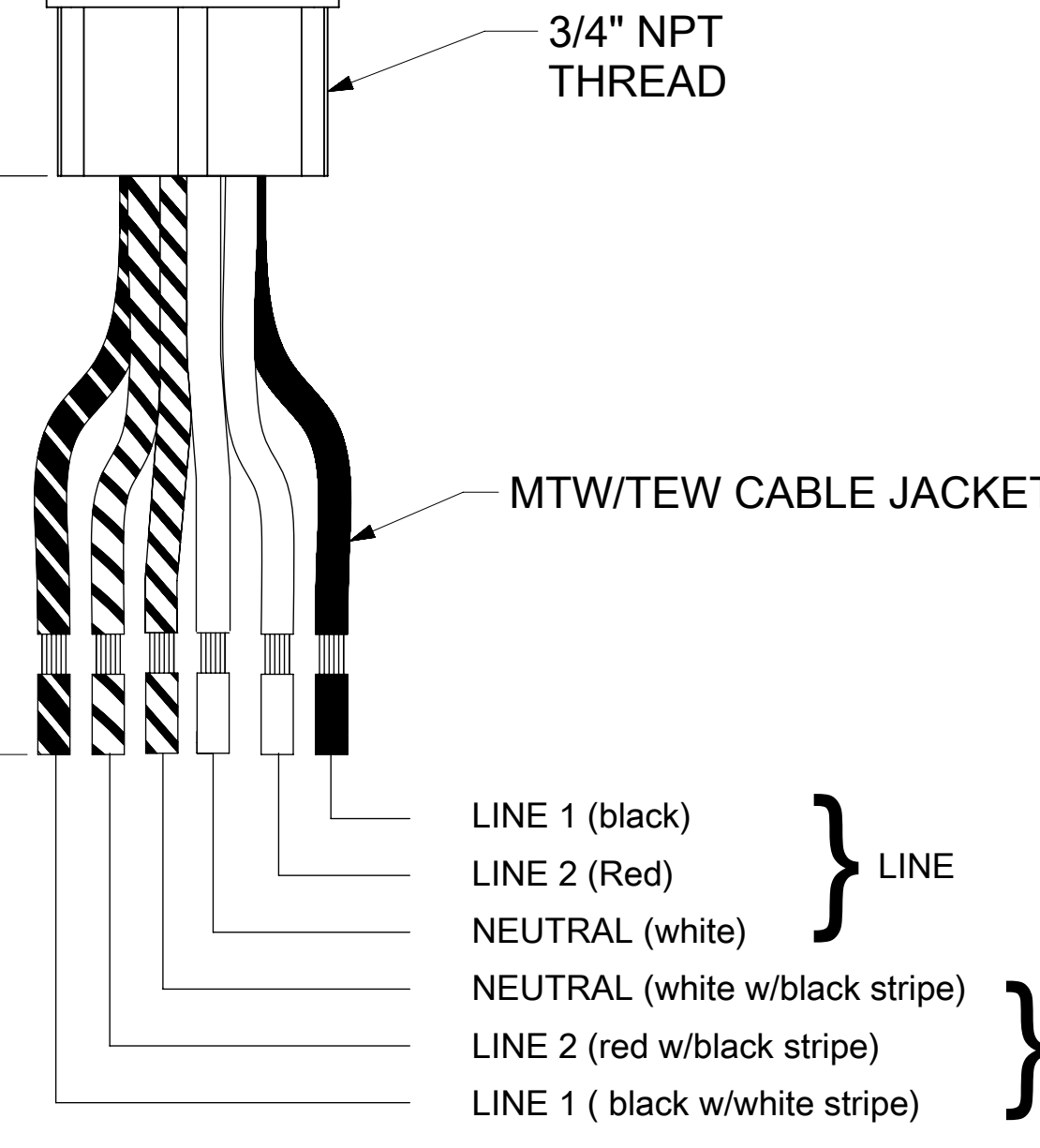
#6-18 X 3/4" PHILLIPS PAN HEAD SHEET METAL SCREW TYPE A, 18-8 STAINLESS STEEL



TEST INSTRUCTIONS LABEL



SPECIFICATIONS LABEL



TECHNICAL

- LISTED: UL & CSA
- RATED SUPPLY VOLTAGE: 240VAC
- RATED CURRENT: UP TO 30 AMPS
- RESET TYPE: AUTOMATIC OR MANUAL
- OPERATING FREQUENCY: 60 Hz
- TYPE: CLASS A
- GROUND TRIP CURRENT: 5mA +/- 1mA
- OVERLOAD CURRENT: 180 AMPS, 0.45PF
- INSULATION VOLTAGE: 1,500 VRMS - 1 MINUTE
- ENDURANCE OPERATIONS: 3000 OPERATIONS
- ENCLOSURE: NEMA 4X/6P

RESET TYPE	MATERIAL NO.	ENGINEERING NO.	PHASE
MANUAL	1301530264	30051-2MF	SINGLE PHASE
	1301530266	30053-2MF	SINGLE PHASE
AUTOMATIC	1301530263	30051-2AF	SINGLE PHASE
	1301530265	30053-2AF	SINGLE PHASE

FUNCTIONAL SYMBOLS FA = 0 FC = 0 FP = 0	THIS DRAWING CONTAINS INFORMATION THAT IS PROPRIETARY TO MOLEX ELECTRONIC TECHNOLOGIES, LLC AND SHOULD NOT BE USED WITHOUT WRITTEN PERMISSION		CURRENT REV DESC: MIGRATION TO ECTR/NX				
	DIMENSION UNITS	SCALE	 30A 240VAC FIXED GFCI SINGLE PHASE #10AWG WIRE LEADS PRODUCT CUSTOMER DRAWING				
	INCH	NTS					
	GENERAL TOLERANCES (UNLESS SPECIFIED)						
DIVISIONAL SYMBOLS	4 PLACES	±	±	EC NO: 666699	2021/07/09		
	3 PLACES	±	± 0.005	DRWN: PPURSUTANDEL	2021/08/05		
	2 PLACES	±	± 0.01	CHK'D: DNGUYEN62	2021/08/17		
	1 PLACE	±	± 0.02	APPR: HKNEELAND			
	0 PLACES	±	±	INITIAL REVISION:			
	ANGULAR TOL	±	± 0.5 °	DRWN: BARDEN	2014/04/25		
DRAFT WHERE APPLICABLE MUST REMAIN WITHIN DIMENSIONS		THIRD ANGLE PROJECTION	DRAWING	SERIES	MATERIAL NUMBER	CUSTOMER	SHEET NUMBER
			D-SIZE	130153	SEE TABLE	GENERAL MARKET	1 OF 1