

4

3

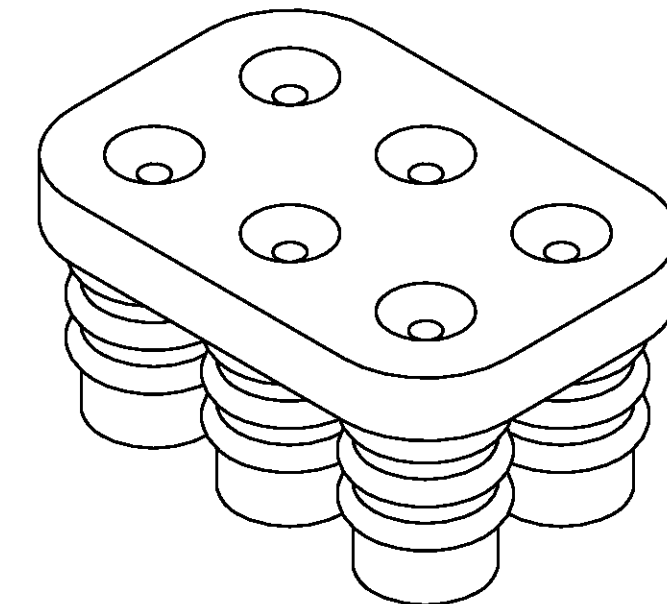
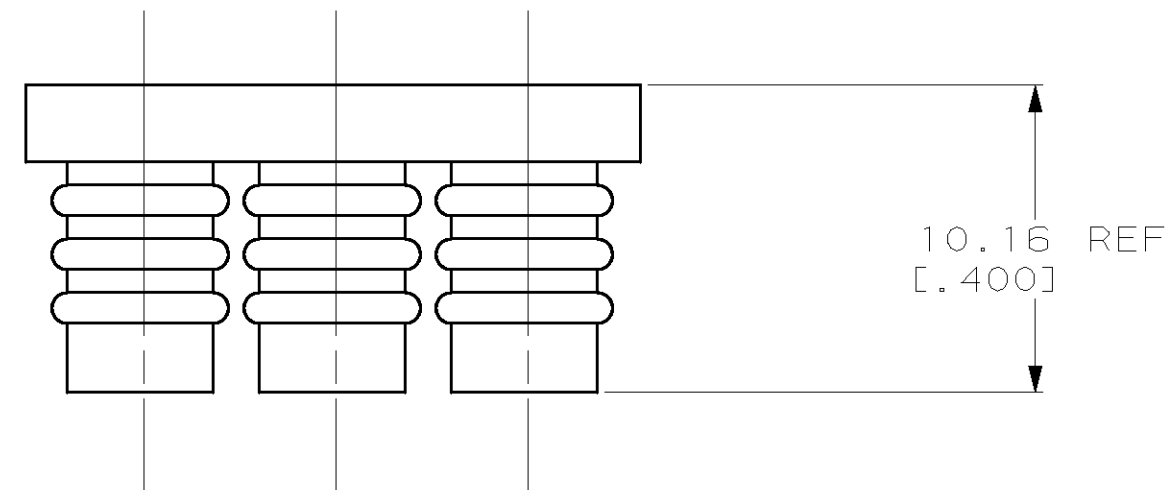
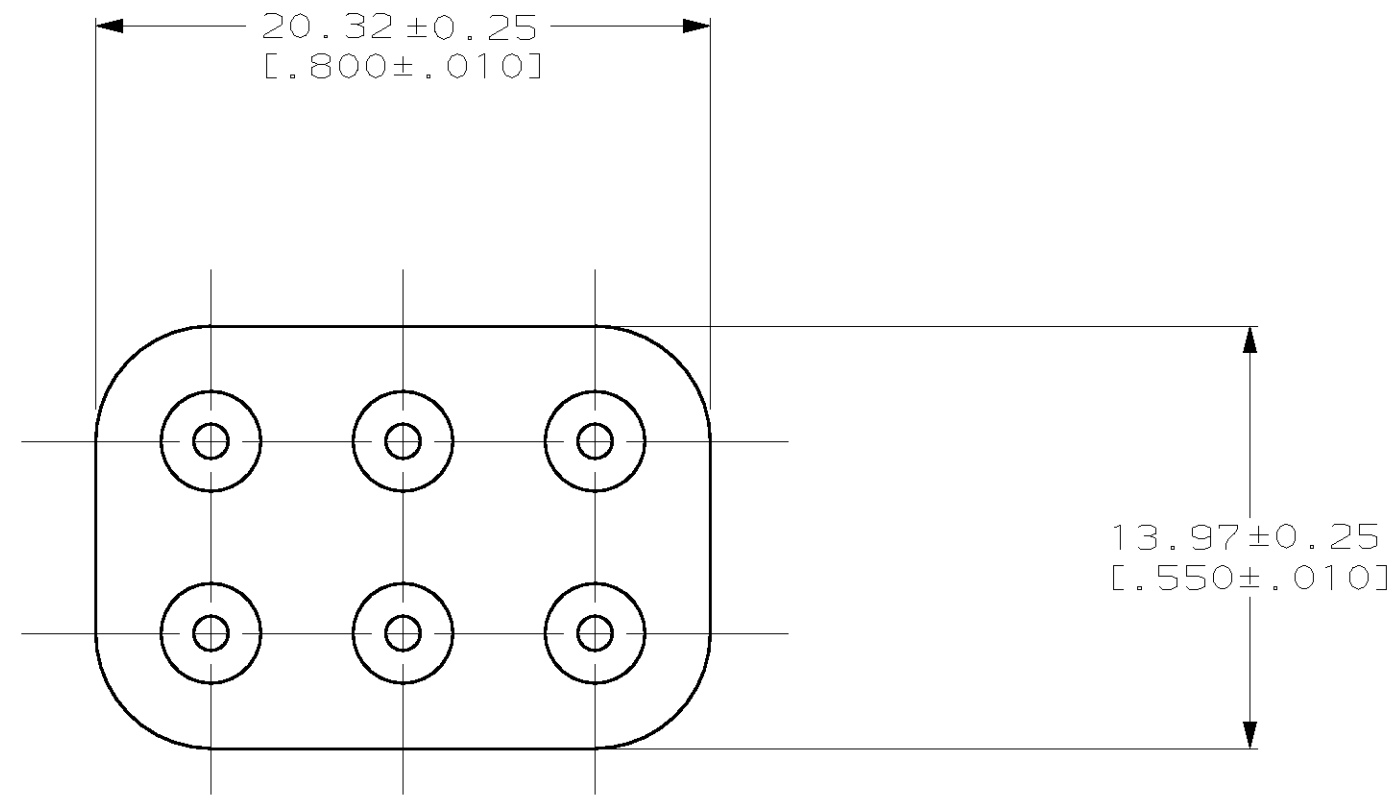
2

1

THIS DRAWING IS UNPUBLISHED. RELEASED FOR PUBLICATION .19  
 (C) COPYRIGHT 19 BY AMP INCORPORATED. ALL RIGHTS RESERVED.

LOC		DIST		REVISIONS			
P	LTR	DESCRIPTION	DATE	DWN	APVD		
CM	53	A	REV PER EC 061B-0062-98	4-6-98	JH	RS	

- 1. MATERIAL: SELF LUBRICATING SILICON RUBBER  
COLOR: BLUE
- 2. DIMENSIONS IN BRACKETS ARE IN INCHES.



3-DIMENSIONAL MODEL NTS

794276-1  
PART NUMBER

**METRIC**

THIS DRAWING IS A CONTROLLED DOCUMENT.		DWN B. LEWIS 3-25-97	AMP Incorporated Harrisburg, PA 17105-3608																			
DIMENSIONS: INCHES		CHK R. SWING 3-25-97	NAME D. SELF 3-25-97																			
<table border="1"> <tr><th colspan="2">DIMENSIONS:</th></tr> <tr><th>INCHES</th><th>TOLERANCES UNLESS OTHERWISE SPECIFIED:</th></tr> <tr><td>0 PLC</td><td>±</td></tr> <tr><td>1 PLC</td><td>±</td></tr> <tr><td>2 PLC</td><td>±</td></tr> <tr><td>3 PLC</td><td>±0.13 [1.005]</td></tr> <tr><td>4 PLC</td><td>±</td></tr> <tr><td>ANGLES</td><td>±0°30'</td></tr> <tr><td>FINISH</td><td>-</td></tr> </table>		DIMENSIONS:		INCHES	TOLERANCES UNLESS OTHERWISE SPECIFIED:	0 PLC	±	1 PLC	±	2 PLC	±	3 PLC	±0.13 [1.005]	4 PLC	±	ANGLES	±0°30'	FINISH	-	PRODUCT SPEC -	WIRE SEAL, 6 CIRCUIT, UNIVERSAL MATE-N-LOK™	
DIMENSIONS:																						
INCHES	TOLERANCES UNLESS OTHERWISE SPECIFIED:																					
0 PLC	±																					
1 PLC	±																					
2 PLC	±																					
3 PLC	±0.13 [1.005]																					
4 PLC	±																					
ANGLES	±0°30'																					
FINISH	-																					
MATERIAL △	APVD D. SELF 3-25-97	APPLICATION SPEC -	SIZE A2	RESTRICTED TO -																		
CUSTOMER DRAWING		WEIGHT -	CAGE CODE 00779	DRAWING NO. 794276																		
		SCALE 4:1	SHEET 1 OF 1	REV A																		

794276

B

A