

T00 Changeable Output Plug System Use Guidance

GlobTek offers inventory with our T00 plug system.

This novel system allows for rapid shipment of prototype samples or small quantities of common output voltage and current which can fulfill the needs of most common barrel plug specs.

This system also allows for both Center Positive and Center Negative polarity.

Use instructions can be found here: <https://en.globtek.com/news/t00-changeable-output-plug-system-for-power-supplies>

The T00 tip is meant for 1-time attachment to cord. Once pushed in and locked, that is the final configuration.

It is not meant to be connected, then pulled out to switch around to obtain different polarity or to change to a different style connector tip.

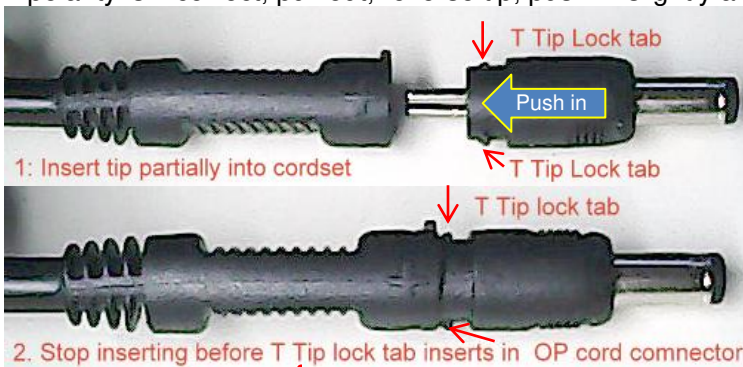
Customer needs to be aware of this single connection use and verify connector polarity and type before final commitment to attach to the power supply's output cord.

INSTRUCTIONS: If Uncertain of Polarity required:

Slightly insert the T-Tip into the output cord connector.

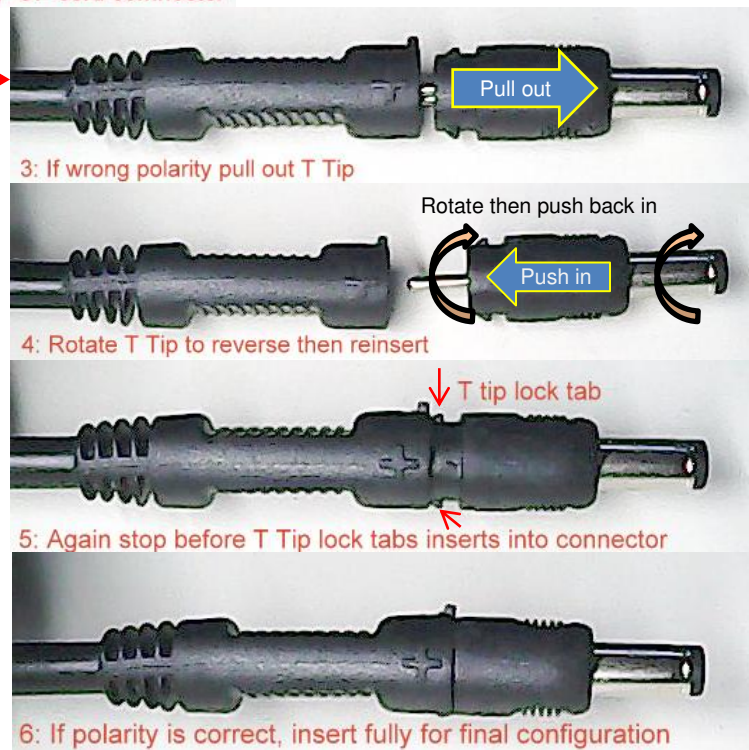
Do not insert all the way so the tabs lock in place. Check for desired polarity.

- If ok push-in for final lock.
- If polarity is incorrect, pull out, reverse tip, push in slightly and perform the same polarity check.



Correct Polarity

Incorrect Polarity



OUTPUT CORD AND CONNECTOR:

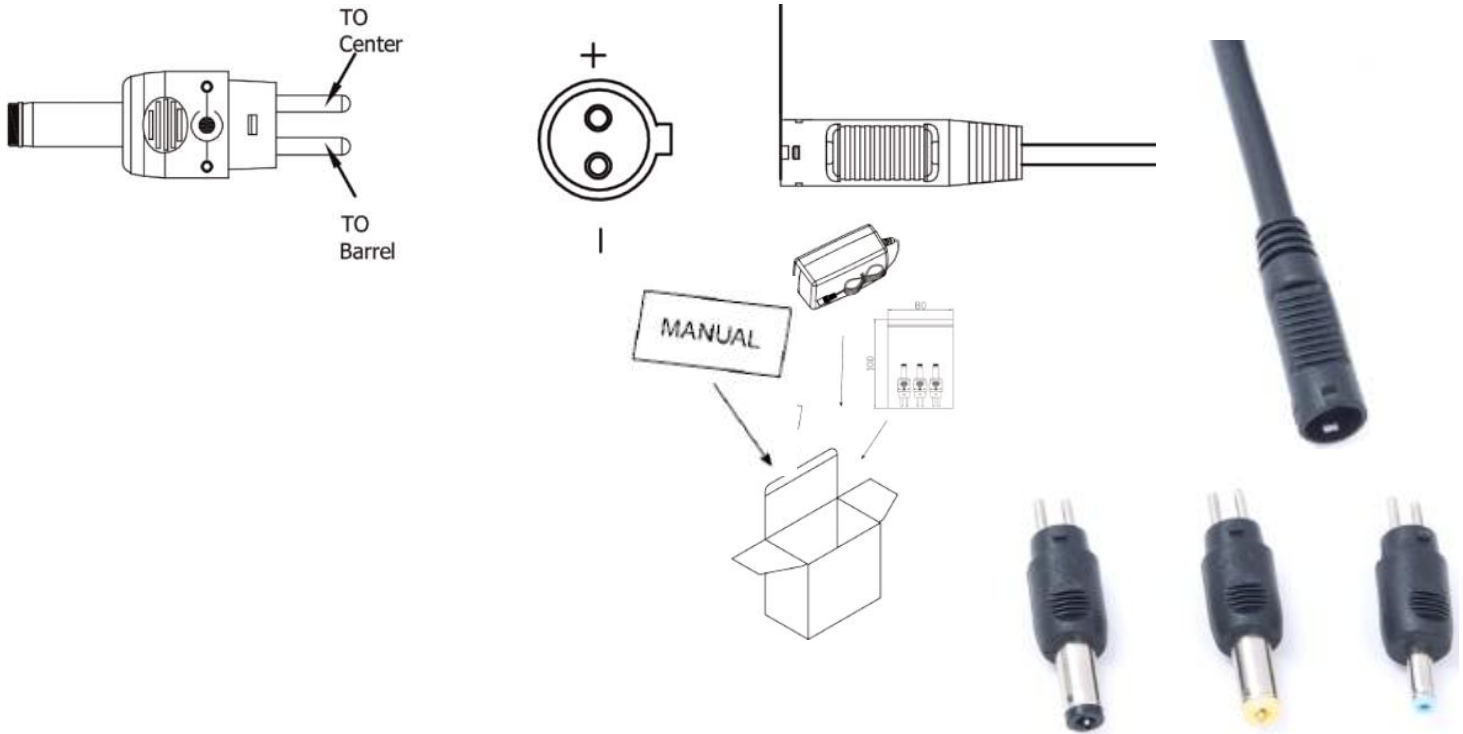
T00/

PLUG TYPE


T-plug system

CONNECTOR PIN OUT:

Polarity Configuration T00

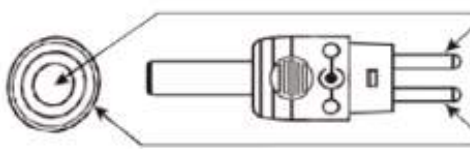


Manual packed with each unit using the T00-Plug Interchangeable Tip System:




T-Tip Instructions

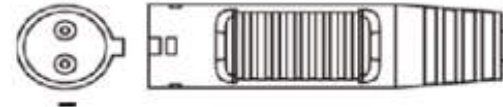
- Color of tip indicates dimensions of barrel
- Polarity is dependent on how tip is inserted in to T-base



This Pin Connects to Center



This Pin Connects to Barrel



+ White

- Black

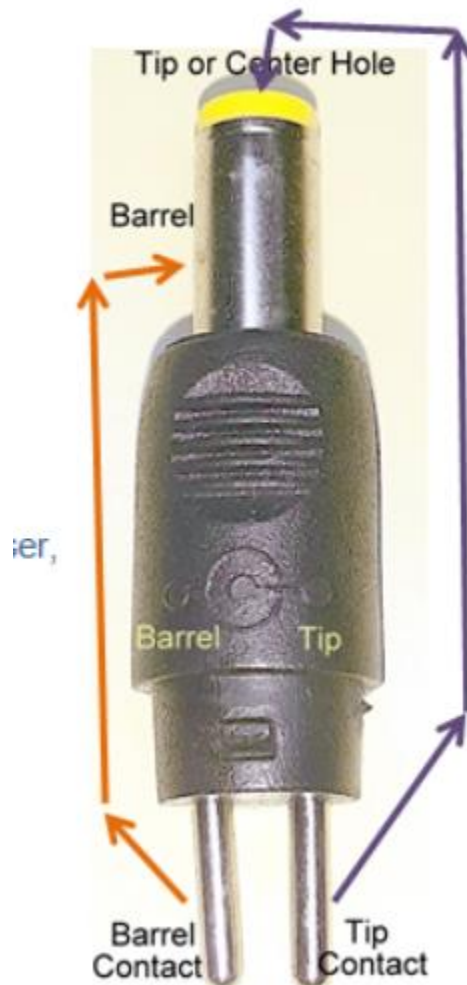
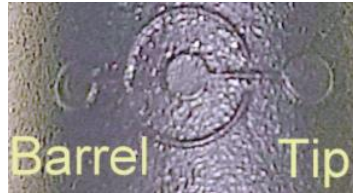
PART NO	DIAMETER		LENGTH	TIP COLOR
	OUTER	INNER		
T-C-12-S(R)	5.5	2.1	11.5	YELLOW
T-L-12-S(R)	5.5	2.5	11.5	BLACK
T-K-11-S(R)	3.5	1.35	9.5	BLUE

DC Polarity markings: End User

A DC Polarity symbol is molded into the T00 tip body. Since this tip is reversible mount, the final Polarity is determined by the inserting the t00 tip into the power supply's output cord.



On the T00 tip, since polarity is up to the user, the following symbol is seen.

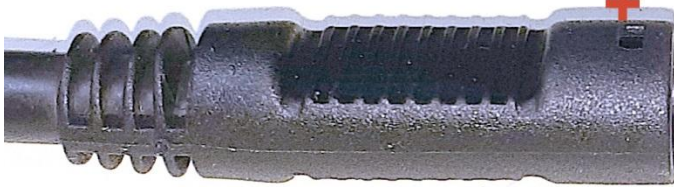


Inserting Directions for Tip + and Tip -

Tip or Center Hole Positive + Configuration:



Tip or Center Hole Positive + Configuration:



No Symbol -

Tip or Center Hole Negative - Configuration:



Tip or Center Hole Negative - Configuration

