

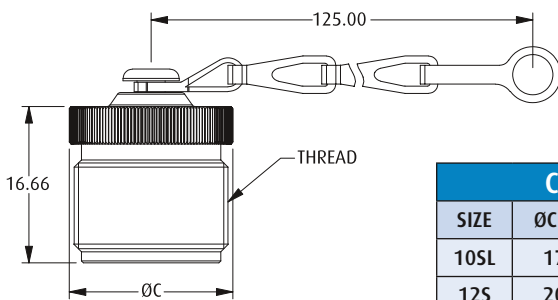
Commercial MIL-DTL-5015

Dust Caps & Rubber Bushing

- ❖ Dust cap with external thread for use with Straight Plugs (M90-3106F).
- ❖ Dust cap with internal thread for use with Cable connectors (M90-3101F) and Panel Mount connectors (M90-3102R).
- ❖ Dust caps supplied fitted with chain.
- ❖ Rubber Bushing for use with Cable connectors (M90-3101F) and Straight Plugs (M90-3106F).

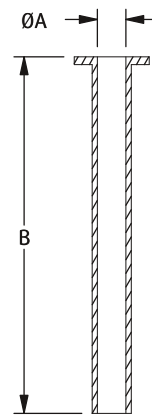


DUST CAP – EXTERNAL THREAD



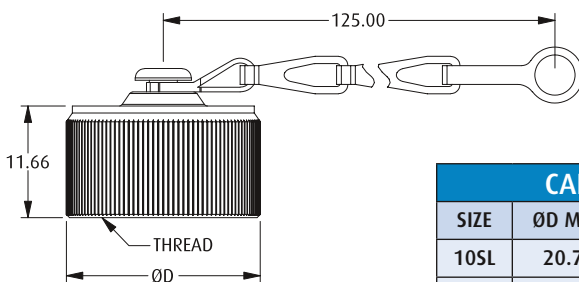
CALCULATION		
SIZE	ØC MAX	THREAD
10SL	17.45	5/8-24UNEF-2A
12S	20.62	3/4-20UNEF-2A
14S	23.8	7/8-20UNEF-2A

RUBBER BUSHING



CALCULATION		
SIZE	ØA	B
4	5.59	69.85
6	7.92	66.68

DUST CAP – INTERNAL THREAD



CALCULATION		
SIZE	ØD MAX	THREAD
10SL	20.70	5/8-24UNEF-2B
12S	25.40	3/4-20UNEF-2B
14S	28.58	7/8-20UNEF-2B

HOW TO ORDER

M90 - XXXXX - XXXX

SERIES CODE

TYPE	
25042	Dust Cap – External thread
25043	Dust Cap – Internal thread
3420	Rubber Bushing

SIZE	
10SL	For use with 10SL shell size (Dust caps)
12S	For use with 12S shell size (Dust caps)
14S	For use with 14S shell size (Dust caps)
4	For use with 10SL & 12S shell sizes (Bushing)
6	For use with 14S shell size (Bushing)

All dimensions in mm.

www.harwin.com