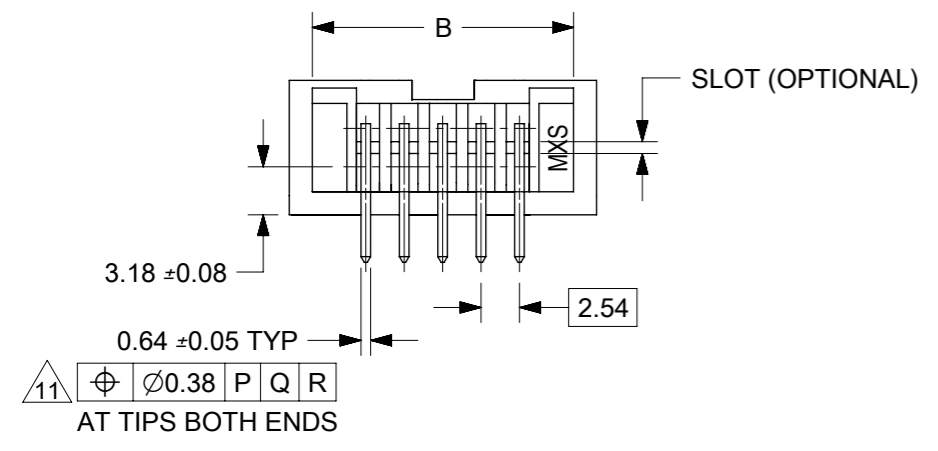


LEGEND:
 70247 - ****
 CKT SIZE
 7 PLATING OPT.



THIS DRAWING CONTAINS INFORMATION THAT IS PROPRIETARY TO MOLEX ELECTRONIC TECHNOLOGIES, LLC AND SHOULD NOT BE USED WITHOUT WRITTEN PERMISSION									
DIMENSION UNITS		SCALE		CURRENT REV DESC: MIGRATED TO NX				molex	
mm		NTS							
GENERAL TOLERANCES (UNLESS SPECIFIED)				EC NO: 626879		C-GRID, SHROUDED HEADER		R/A (SLOTTED W/O STANDOFFS)	
4 PLACES		±		DRWN: ABABU01		2019/11/04			
3 PLACES		±		CHK'D: MRAMAKRISHNA		2019/11/06			
2 PLACES		±	0.2	APPR: MRAMAKRISHNA		2019/11/06		PRODUCT CUSTOMER DRAWING	
1 PLACE		±		INITIAL REVISION:				DOCUMENT NUMBER	
0 PLACES		±		DRWN: JENNIFER		1987/09/21		SDA-70247-XX00-04	
ANGULAR TOL		±	3.0°	APPR: MLONG		2011/12/07		PSD 001 K	
DRAFT WHERE APPLICABLE MUST REMAIN WITHIN DIMENSIONS				THIRD ANGLE PROJECTION		DRAWING		SERIES	
				A3-SIZE		70247		MATERIAL NUMBER	
				SEE TABLE		GENERAL MARKET		CUSTOMER	
								SHEET NUMBER	
								1 OF 2	

NOTES:

1. PIN PUSHOUT FORCE (.9072KG)/2LBS MIN.
2. PIN SOLDERABILITY PER MOLEX SPEC. ES-152.
3. PRODUCT SPEC: PS-70246-100 APPLIES.
4. WAFER TO BE FLAT WITHIN .003 MM/MM.
5. DIMENSIONS FOR PLATING LOCATION:
 - △5A MEASURE POINT FOR THICKNESS
 - △5B MINIMUM COVERAGE
- △6 GOLD END OF PIN UNLESS OVERALL PLATED.
- △7 FINISH: - 51 : 15 MICRO INCHES MIN GOLD PLATE ON CONTACT AND 75 MICRO INCHES MIN TIN PLATE ON SOLDERTAIL BOTH OVER 50 MICRO INCHES MIN NICKEL OVERALL.
 - 52 : 30 MICRO INCHES MIN GOLD PLATE ON CONTACT AND 75 MICRO INCHES MIN TIN PLATE ON SOLDERTAIL BOTH OVER 50 MICRO INCHES MIN NICKEL OVERALL.
 - 54 : 5 MICRO INCHES MIN GOLD PLATE ON CONTACT AND 75 MICRO INCHES MIN TIN PLATE ON SOLDERTAIL BOTH OVER 50 MICRO INCHES MIN NICKEL OVERALL.
- △8 CHECK WITH SALES OFFICE FOR AVAILABILITY.
- △9 DIM AT THE CENTRE OF THE SHROUDED WALL SHALL BE 5.91MM MIN. THIS SPEC IS VALID FOR ALL CKT SIZE.
10. MATERIAL:
 - HSG: PBT, GLASS FILLED, UL94V-0, COLOUR: BLACK
 - PIN: 0.64MM SQ. PIN PHOSPHOR BRONZE.
- △11 SOLDERTAIL POSITION TOLERANCE TO BE GAUGED.
12. PACKAGING SPECIFICATION: PK-87835-001.

PART NUMBER	CKT SIZE	DIM A	DIM B	DIM C	DIM D
70247-08**	08	7.62	14.73	17.78	15.24
70247-10**	10	10.16	17.27	20.32	17.78
70247-12**	12	12.70	19.81	22.86	20.32
70247-14**	14	15.24	22.35	25.40	22.86
70247-16**	16	17.78	24.89	27.94	25.40
70247-20**	20	22.86	29.97	33.02	30.48
70247-24**	24	27.94	35.05	38.10	35.56
70247-26**	26	30.48	37.59	40.64	38.10
70247-30**	30	35.56	42.67	45.72	43.18
70247-34**	34	40.64	47.75	50.80	48.26
70247-40**	40	48.26	55.37	58.42	55.88
70247-44**	44	53.34	60.45	63.50	60.96
70247-48**	48	58.42	65.53	68.58	66.04
70247-50**	50	60.96	68.07	71.12	68.58
70247-56**	56	68.58	75.69	78.74	76.20
70247-60**	60	73.66	80.77	83.82	81.28
70247-64**	64	78.74	85.85	88.90	86.36
70247-72**	72	88.90	96.01	99.06	96.52

THIS DRAWING CONTAINS INFORMATION THAT IS PROPRIETARY TO MOLEX ELECTRONIC TECHNOLOGIES, LLC AND SHOULD NOT BE USED WITHOUT WRITTEN PERMISSION														
DIMENSION UNITS		SCALE		CURRENT REV DESC: MIGRATED TO NX				molex						
mm		NTS												
GENERAL TOLERANCES (UNLESS SPECIFIED)				EC NO: 626879 DRWN: ABABU01 2019/11/04 CHK'D: MRAMAKRISHNA 2019/11/06 APPR: MRAMAKRISHNA 2019/11/06				C-GRID, SHROUDED HEADER R/A (SLOTTED W/O STANDOFFS)						
		MM	INCH					PRODUCT CUSTOMER DRAWING						
4 PLACES	±		±					INITIAL REVISION:						
3 PLACES	±		±					DRWN: JENNIFER 1987/09/21		DOCUMENT NUMBER		DOC TYPE	DOC PART	REVISION
2 PLACES	±	0.2	±					APPR: MLONG 2011/12/07		SDA-70247-XX00-04		PSD	001	K
1 PLACE	±		±	DRAFT WHERE APPLICABLE MUST REMAIN WITHIN DIMENSIONS				MATERIAL NUMBER		CUSTOMER	SHEET NUMBER			
0 PLACES	±		±	THIRD ANGLE PROJECTION		DRAWING	SERIES	GENERAL MARKET		2 OF 2				
ANGULAR TOL		± 3.0°		A3-SIZE		70247		SEE TABLE						