

### Features

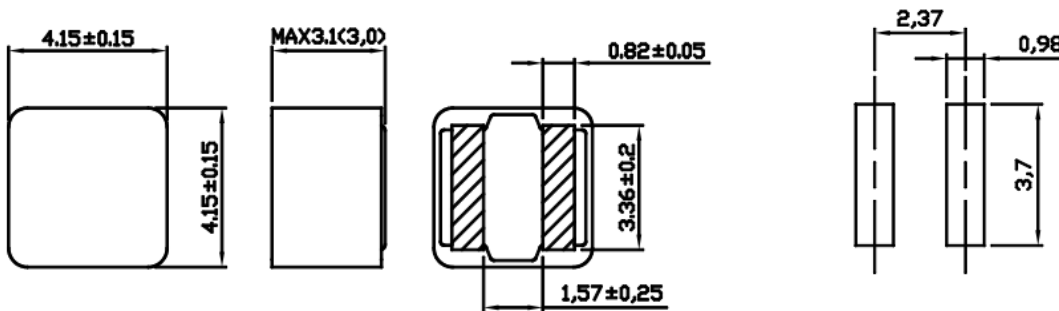
- Metal compound molding type construction.
- Magnetically shielded.
- Suitable for Large Current
- Operating temperature range: -40°C ~ +125°C with Irms current

### Applications

- LED Head light for Automobile
- ECU for Airbag, Water and Oil pump etc
- DC/DC converter

Dimension - [mm]

Reference Land pattern- [mm]



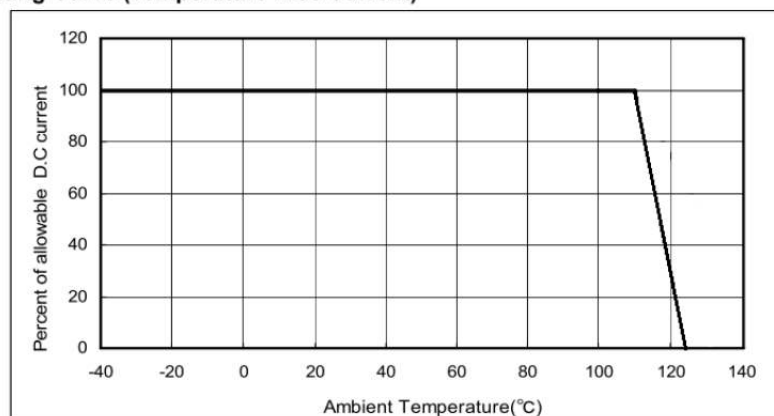
### Electrical Characteristics

Part No.	Inductance (μH) (±20%) * 1	D.C.R. (mΩ) at 20degC (±10%)	Saturation Current (A) * 2 at 20degC	Temperature Rise current (A)
CDMT40D30HF-3R3NC	3.3	23.0	5.4	6.6
CDMT40D30HF-4R7NC	4.7	37.0	4.3	5.1
CDMT40D30HF-6R8NC	6.8	62.0	3.4	3.9

\* 1 MEASURED AT FREQUENCY OF 100kHz

\* 2 THE SATURATION CURRENT: THIS INDUCTANCE THE VALUE OF CURRENT WHEN THE INDUCTANCE IS OVER 70% OF THE NOMINAL VALUE.

### Derating Curve (Temperature Rise Current)

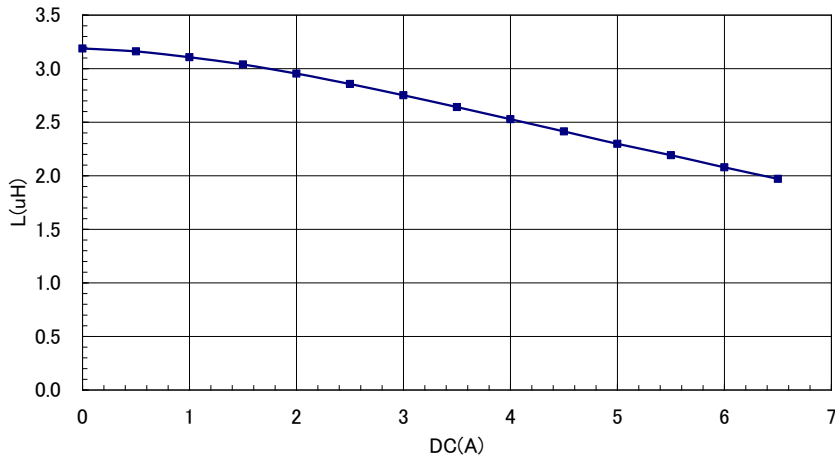


Note: This datasheet might be slightly modified without notice in order to improve the quality and reliability of the product. Please contact an appropriate our sales in your regions for checking final spec before you place an order.

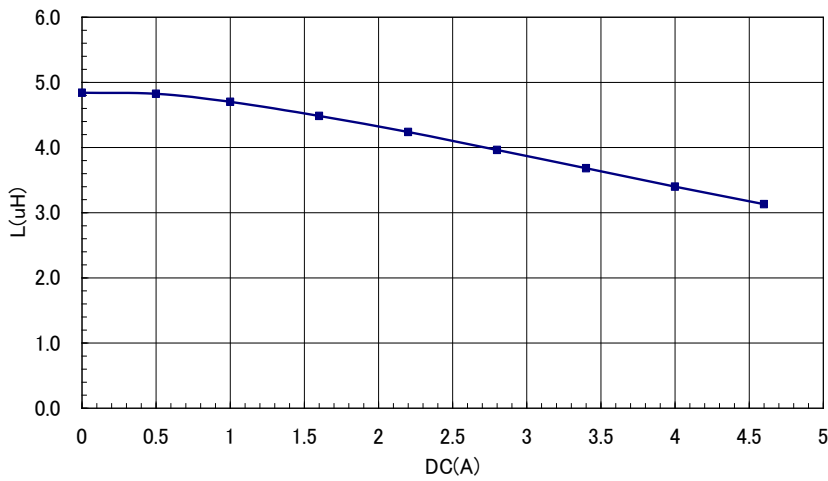
# CDMT40D30



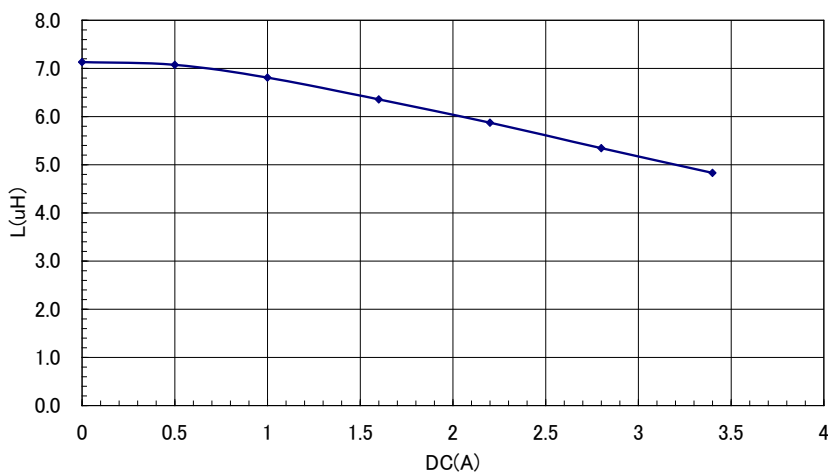
CDMT40D30 3.3uH Isat



CDMT40D30 4.7uH Isat



CDMT40D30 6.8uH Isat



Note: This datasheet might be slightly modified without notice in order to improve the quality and reliability of the product. Please contact an appropriate our sales in your regions for checking final spec before you place an order.