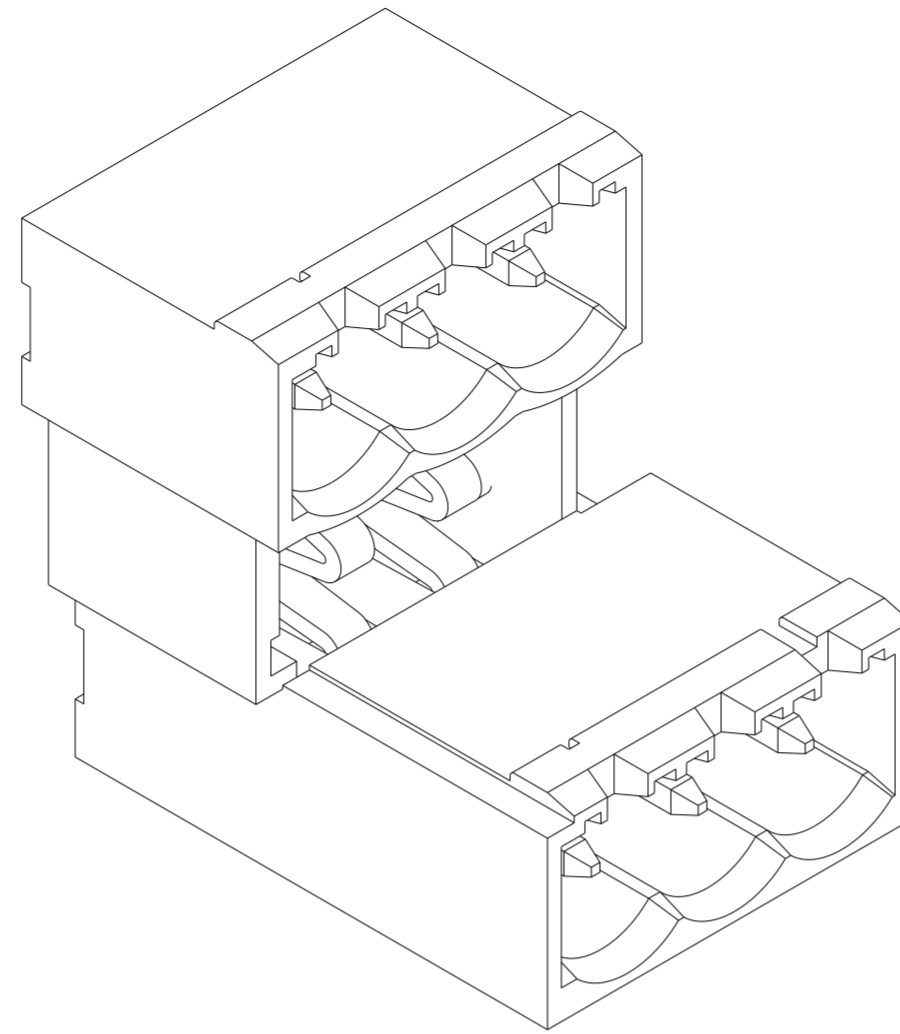
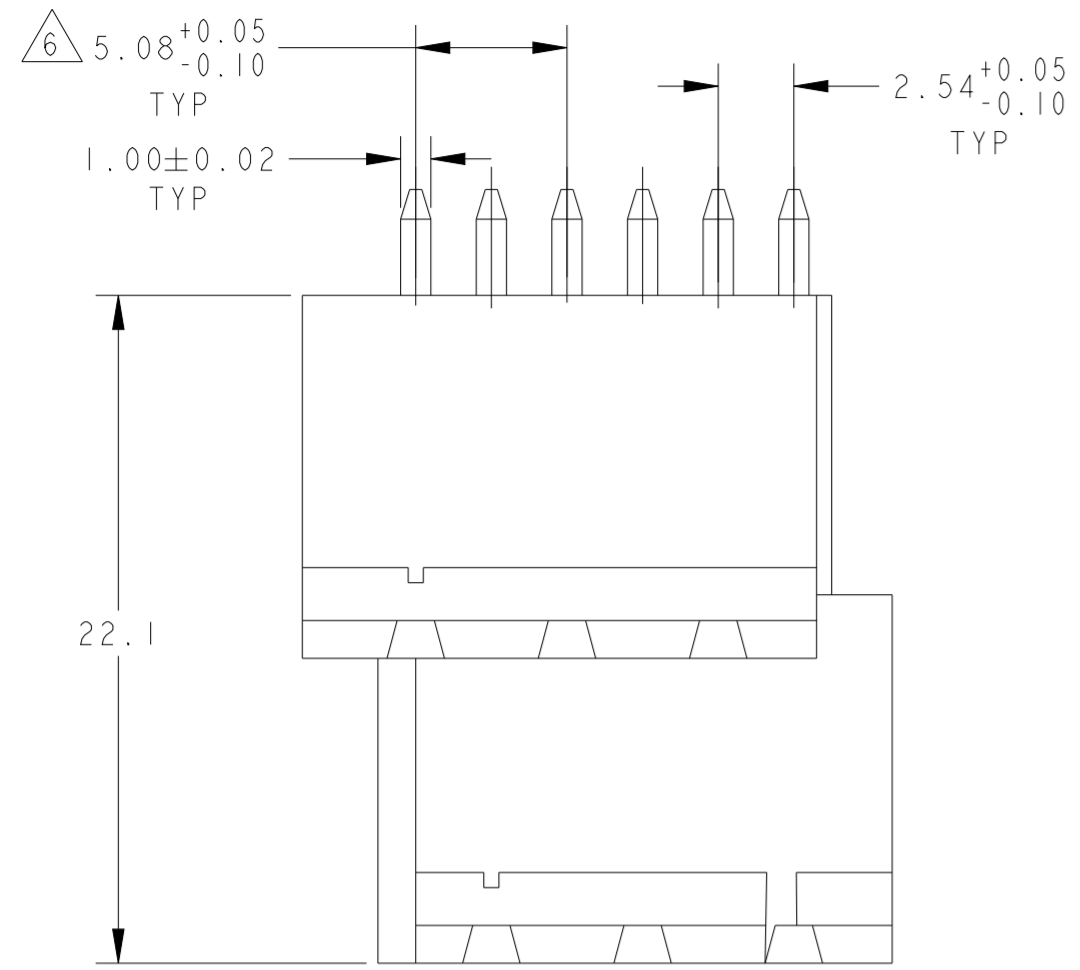
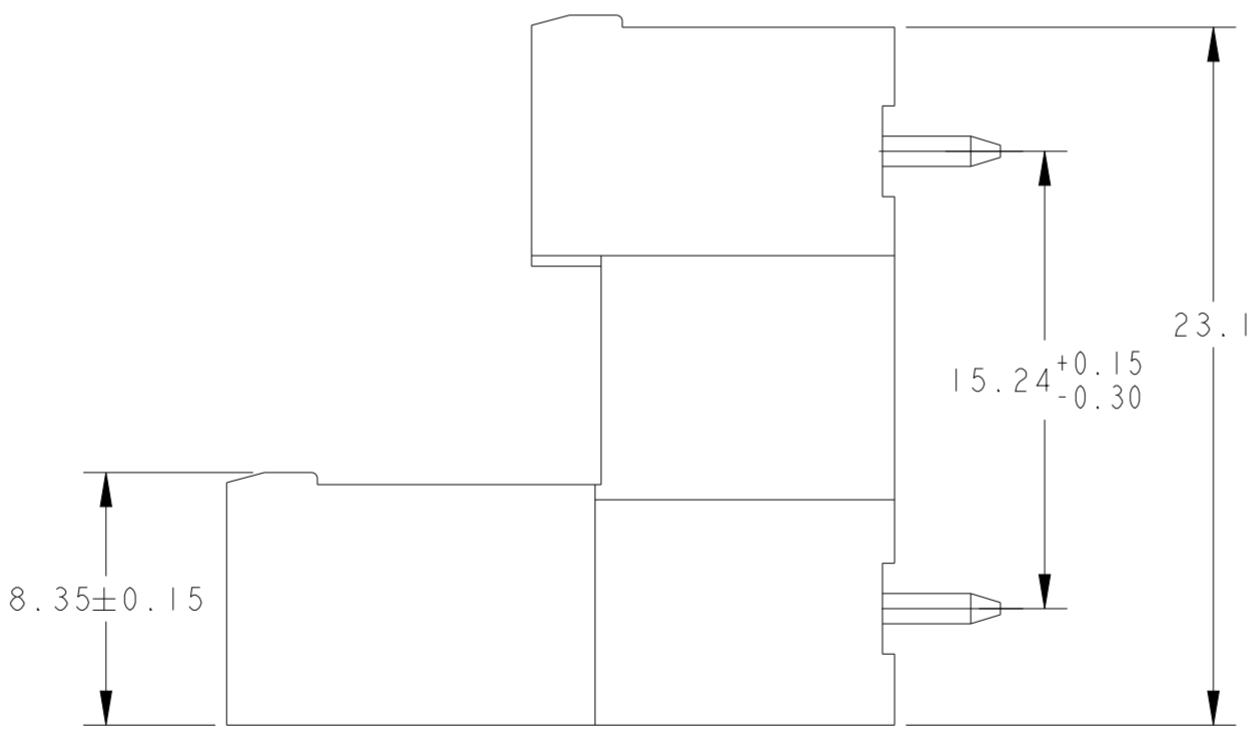
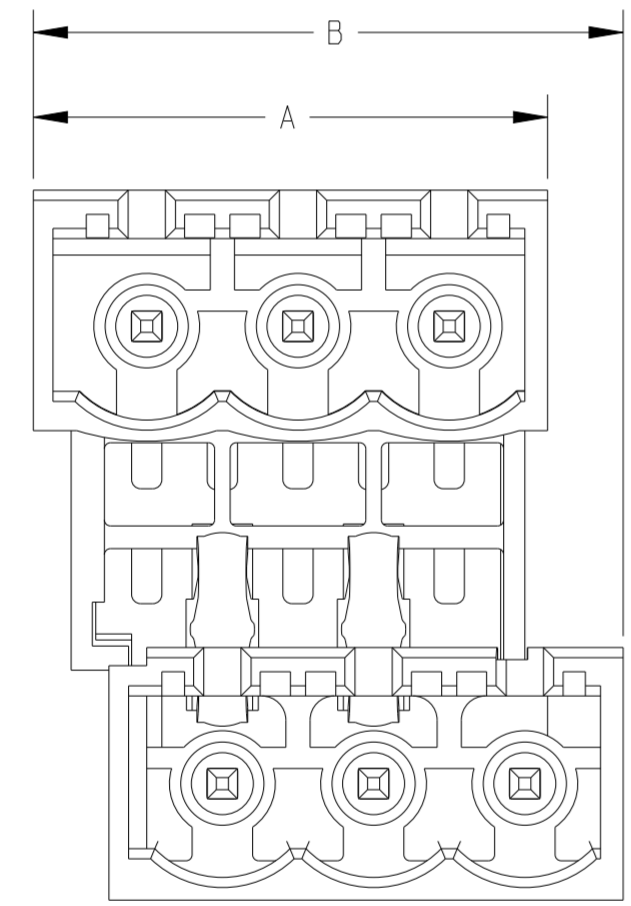


P	LTR	DESCRIPTION	DATE	DWN	APVD
A		REVISED PER ECO-13-017516	08NOV2013	KH	MB
B		DESIGN IMPROVEMENT IN NEW MOLD	31JUL2020	DV	PS
C		REVISED AS PER PCN :E-20-012263	12OCT2021	SCB	SS

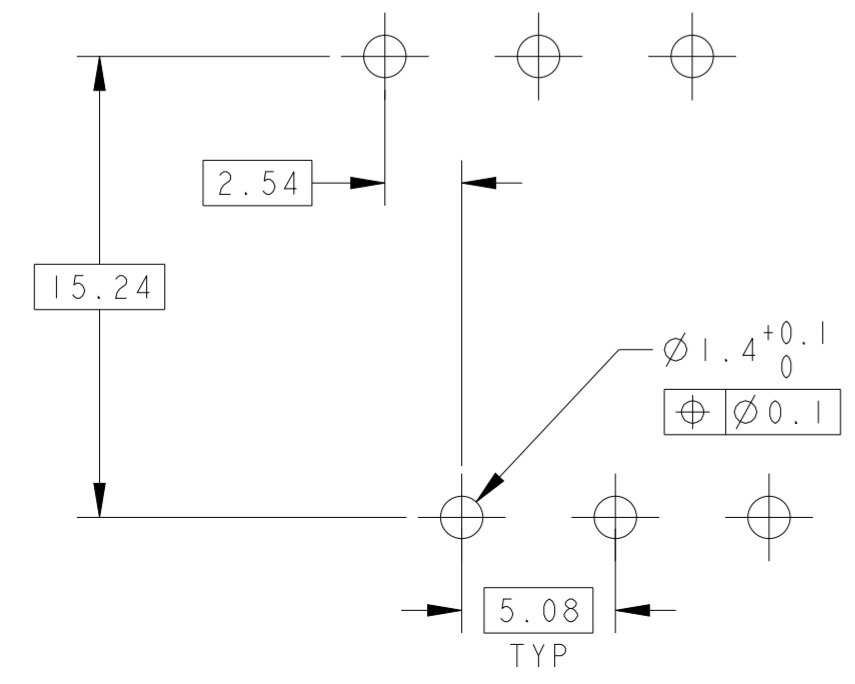


1776165-3 AS SHOWN

- 1. MATERIALS AND FINISH  
HOUSING: HIGH TEMPERATURE POLYAMIDE, UL 94V-0 RATED, COLOR: BLACK.  
TERMINAL: COPPER ALLOY, TIN PLATED.
- 2. SUITABLE FOR 1,6-2,4mm PC BOARD THICKNESS.
- 3. ELECTRICAL  
RATED VOLTAGE : 300 V  
RATED CURRENT : 12 A  
CONTACT RESISTANCE : < 15 mΩ  
INSULATION RESISTANCE: > 1000 MΩ (500V DC)
- 4. OPERATING TEMPERATURE RANGE: -40°C TO +110°C
- 5. P/N FROM 177-4 TO 1776165-8 ARE OBTAINED BY ASSEMBLING 1776165-2 AND 1776165-3 TO ACHIEVE THE DESIRED NUMBER OF POSITIONS.
- 6. NON CUMULATIVE TOLERANCE.



RECOMMENDED PC BOARD LAYOUT



44.94	42.44	8	1776165-8
39.86	37.36	7	1776165-7
34.74	32.24	6	1776165-6
29.70	27.20	5	1776165-5
24.66	22.16	4	1776165-4
19.50	17.00	3	1776165-3
14.50	12.00	2	1776165-2
B	A	NO OF POS	PART NUMBER

THIS DRAWING IS A CONTROLLED DOCUMENT.

DIMENSIONS: mm	TOLERANCES UNLESS OTHERWISE SPECIFIED: 0 PLC ±- 1 PLC ±.3 2 PLC ±.25 3 PLC ±- 4 PLC ±- ANGLES ±2° FINISH	DWN S.WELDON 01AUG2005 CHK C.RICHARD 01AUG2005 APVD C.RICHARD 01AUG2005	NAME <b>STE</b> TE Connectivity
MATERIAL		PRODUCT SPEC - APPLICATION SPEC 114-20079	TERMINAL BLOCK HEADER ASSEMBLY, MULTIPLE, 180 DEGREE, CLOSED ENDS, 5.08mm PITCH
		WEIGHT -	SIZE CAGE CODE DRAWING NO RESTRICTED TO A200779 C-1776165
		CUSTOMER DRAWING	SCALE 4:1 SHEET 1 OF 1 REV C