



860-960 MHz Dipole 2dBi Antenna FOR SMA MALE RP

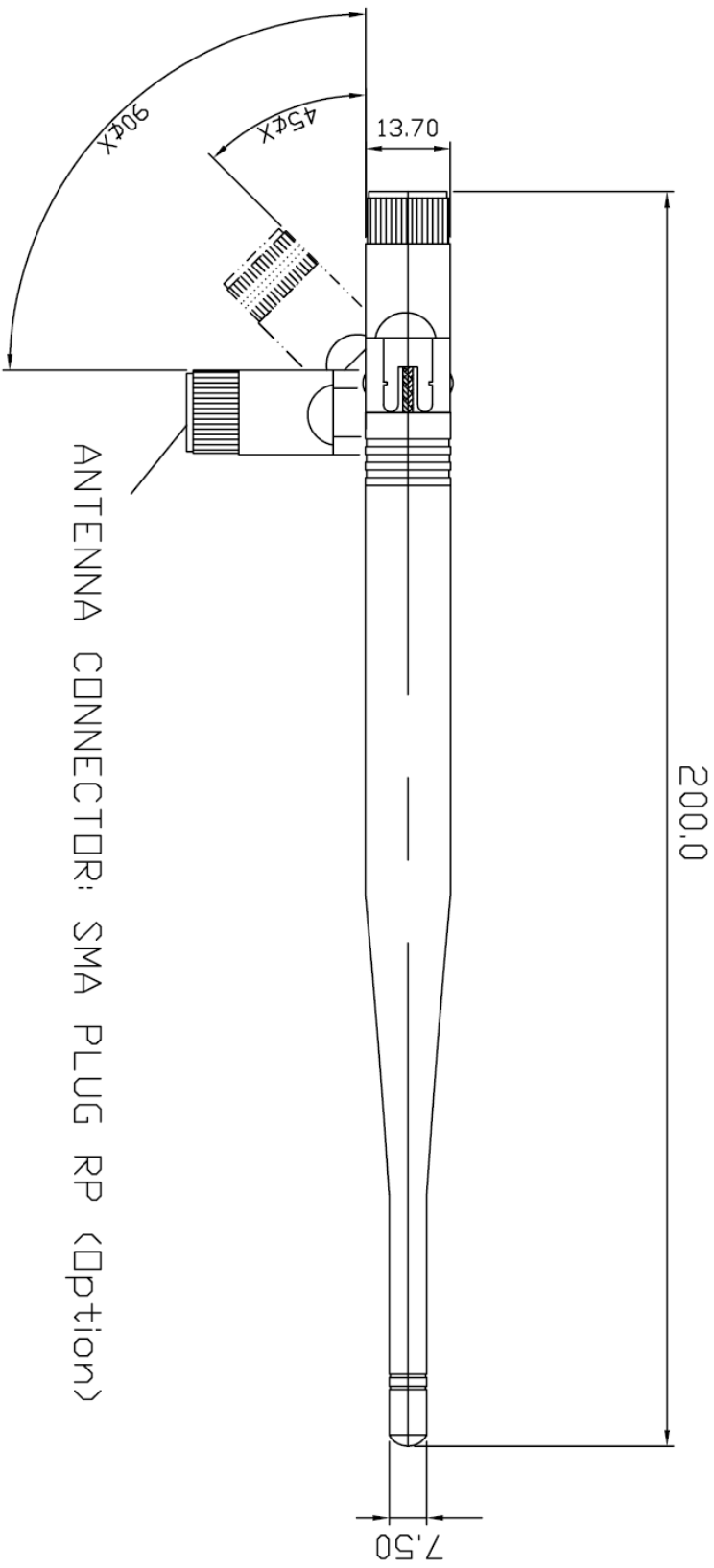


Specifications/Special Features :
Global System for Mobile Communication
860-960MHz phone antenna,
Broadband design for GSM systems.

Specification	
Model No.	GSM-8696-2
Frequency	860-960 MHz
Gain (dBi)	2 dBi
Type	Dipole
Polarization	Linear Vertical
SWR	≤ 2.0
Max Power	50W
Impedance	50 Ω
ANTENNA CONNECTOR	SMA PLUG RP (Option)
Weight	30g
Size	L200xW13.7xH13.7mm

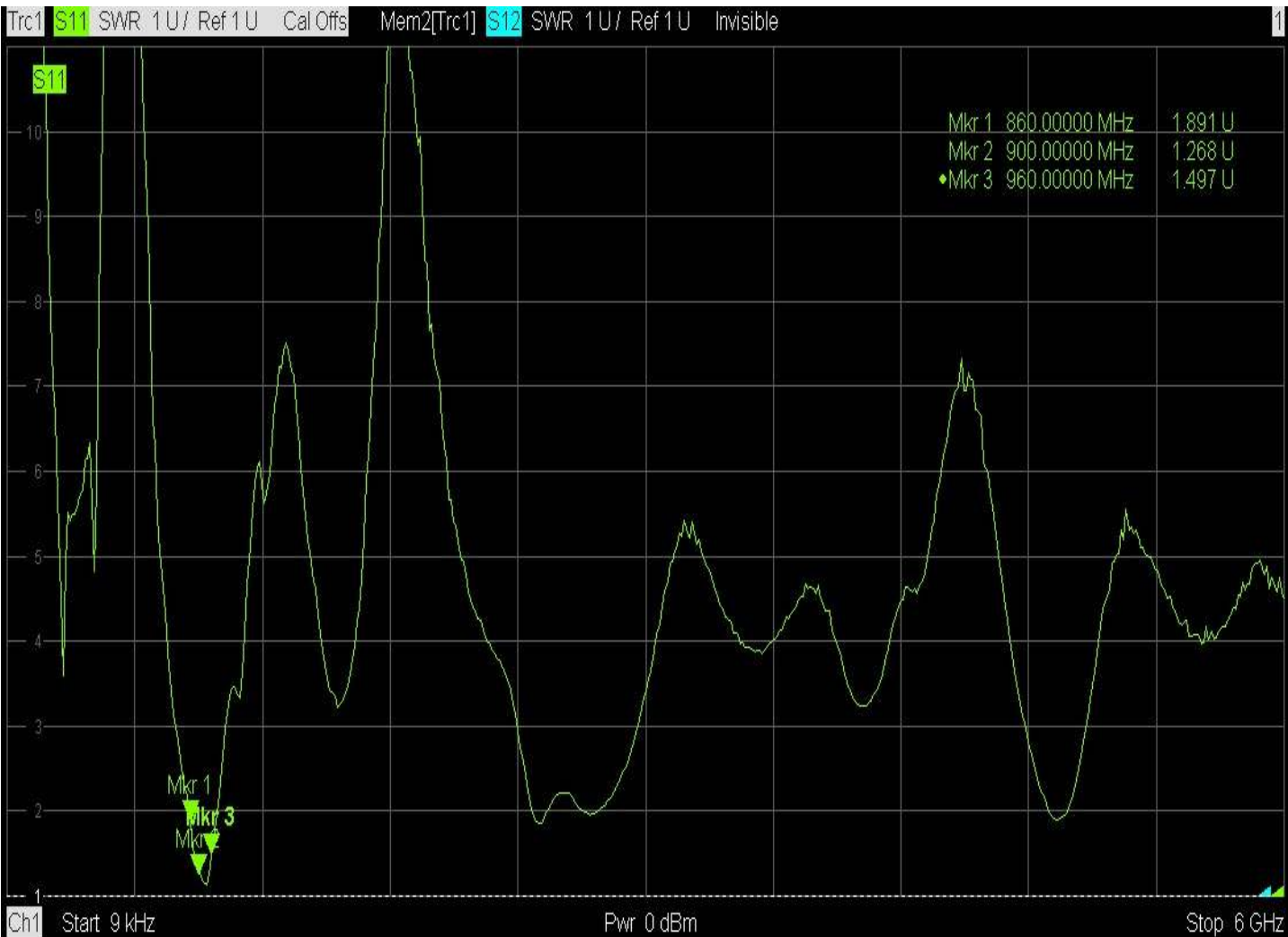
GSM-8696-2

860-960 MHz DIPOLE 2 DBI ANTENNA FOR SMA PLUG RP (Option)

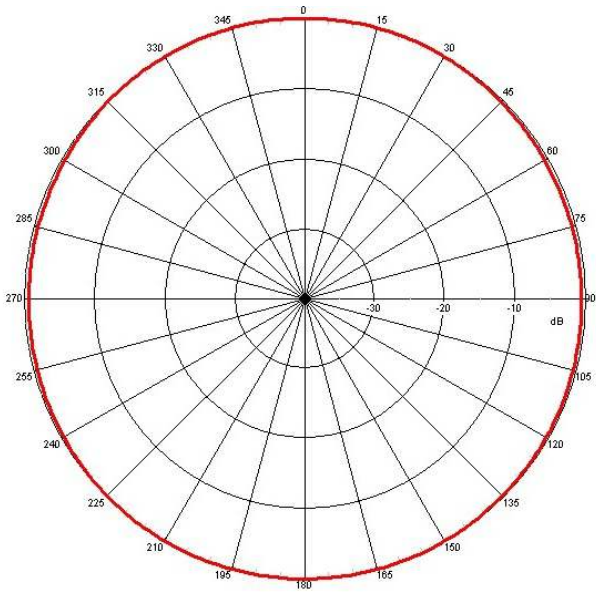


ANTENNA CONNECTOR: SMA PLUG RP (Option)

1	FREQUENCY : 860-960MHz	6	IMPEDANCE : 50 Ω
2	GAIN : 2dBi	7	
3	V.S.W.R : ≤2.0	8	
4	ANTENNA LENGTH : L200xW13.7xH13.7 mm	9	
5	CONNECTOR : SMA PLUG RP (OPTION)	10	



H-PLANE



E-PLANE

