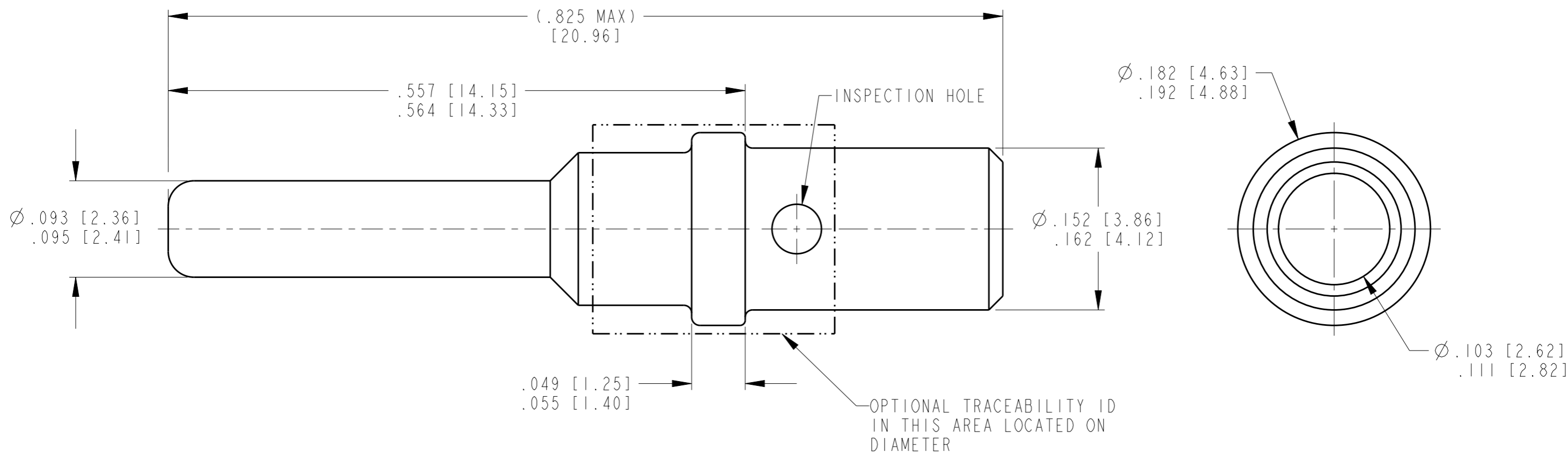


THIS DRAWING IS UNPUBLISHED
© COPYRIGHT 2005 BY TE CONNECTIVITY ALL RIGHTS RESERVED.

RELEASED FOR PUBLICATION 2018

REVISIONS

P	LTR	DESCRIPTION	DATE	DWN	APVD
	A	REVISED PER PCN E-18-001206	24JAN2018	JA	DM
	AI	REVISED PER PCN E-19-018080	19NOV2019	MK	DM



TE INTERNAL PN	DEUTSCH PN	PLATING
0460-204-12141	0460-204-12141	NICKEL

(AI) 1. SEE APPLICATION SPECIFICATION 114-151004 FOR CRIMP TOOLS AND WIRE RANGE

NOTES:

THIS DRAWING IS A CONTROLLED DOCUMENT.		DWN	J. APOSTOL	08MAR2005	TE TE Connectivity													
DIMENSIONS: INCHES [mm]		CHK	B. BYFORD	14MAR2005														
TOLERANCES UNLESS OTHERWISE SPECIFIED:		APVD	R. REED	14MAR2005														
<table border="0"> <tr><td>0 PLC</td><td>±</td></tr> <tr><td>1 PLC</td><td>±</td></tr> <tr><td>2 PLC</td><td>±</td></tr> <tr><td>3 PLC</td><td>±</td></tr> <tr><td>4 PLC</td><td>±</td></tr> <tr><td>ANGLES</td><td>±</td></tr> </table>		0 PLC	±	1 PLC		±	2 PLC	±	3 PLC	±	4 PLC	±	ANGLES	±	PRODUCT SPEC	108-151004		NAME
0 PLC	±																	
1 PLC	±																	
2 PLC	±																	
3 PLC	±																	
4 PLC	±																	
ANGLES	±																	
MATERIAL		FINISH	114-151004		SIZE	A3	CAGE CODE	4AFU8	DRAWING NO	0460-204-12XX	RESTRICTED TO							
		CUSTOMER DRAWING		WEIGHT	1.27g		SCALE	10:1		SHEET	1 OF 1	REV	AI					