

THIS DRAWING IS UNPUBLISHED. RELEASED FOR PUBLICATION 20
 © COPYRIGHT 20 BY - ALL RIGHTS RESERVED.

REVISIONS					
P	LTR	DESCRIPTION	DATE	DWN	APVD
B		RELEASED EC 0G3B-0884-03	21JAN2004	SW	HW
C		REVISED PER ECO-17-004650	05APR2017	BDA	MZ

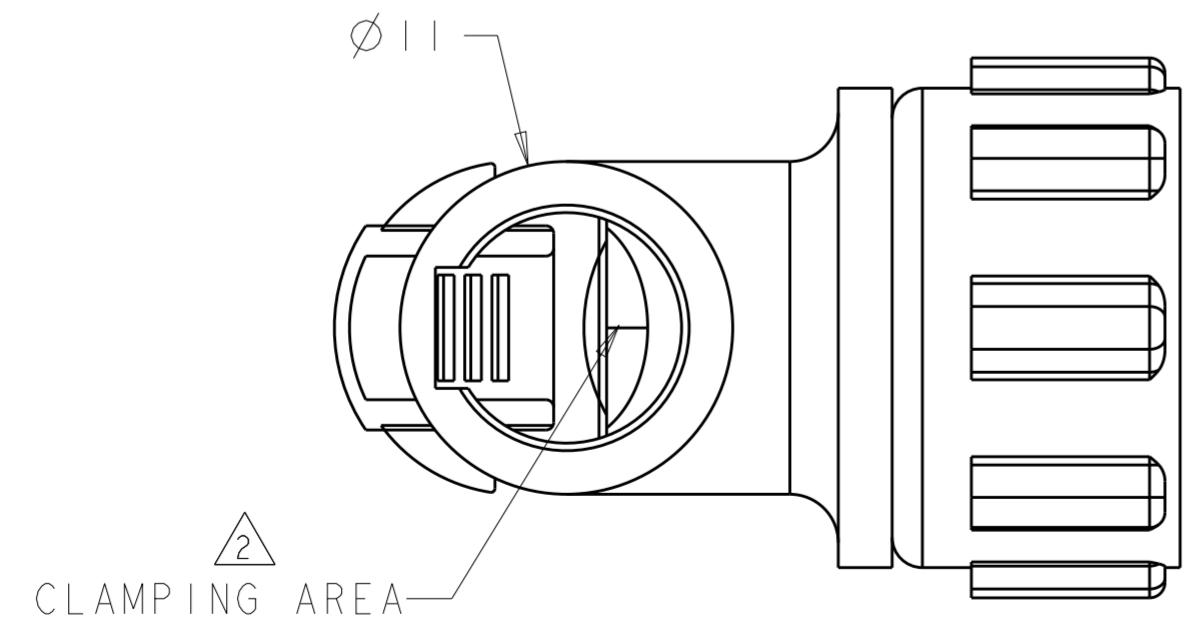
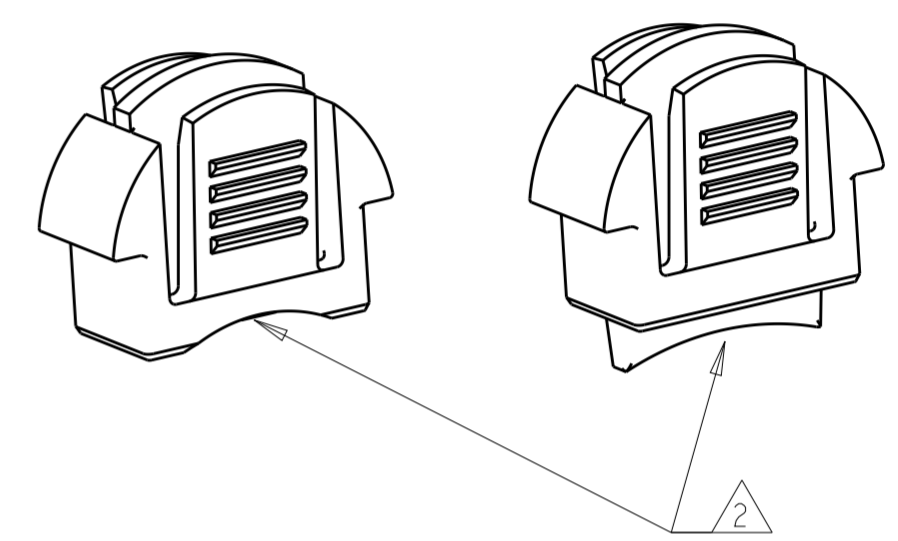
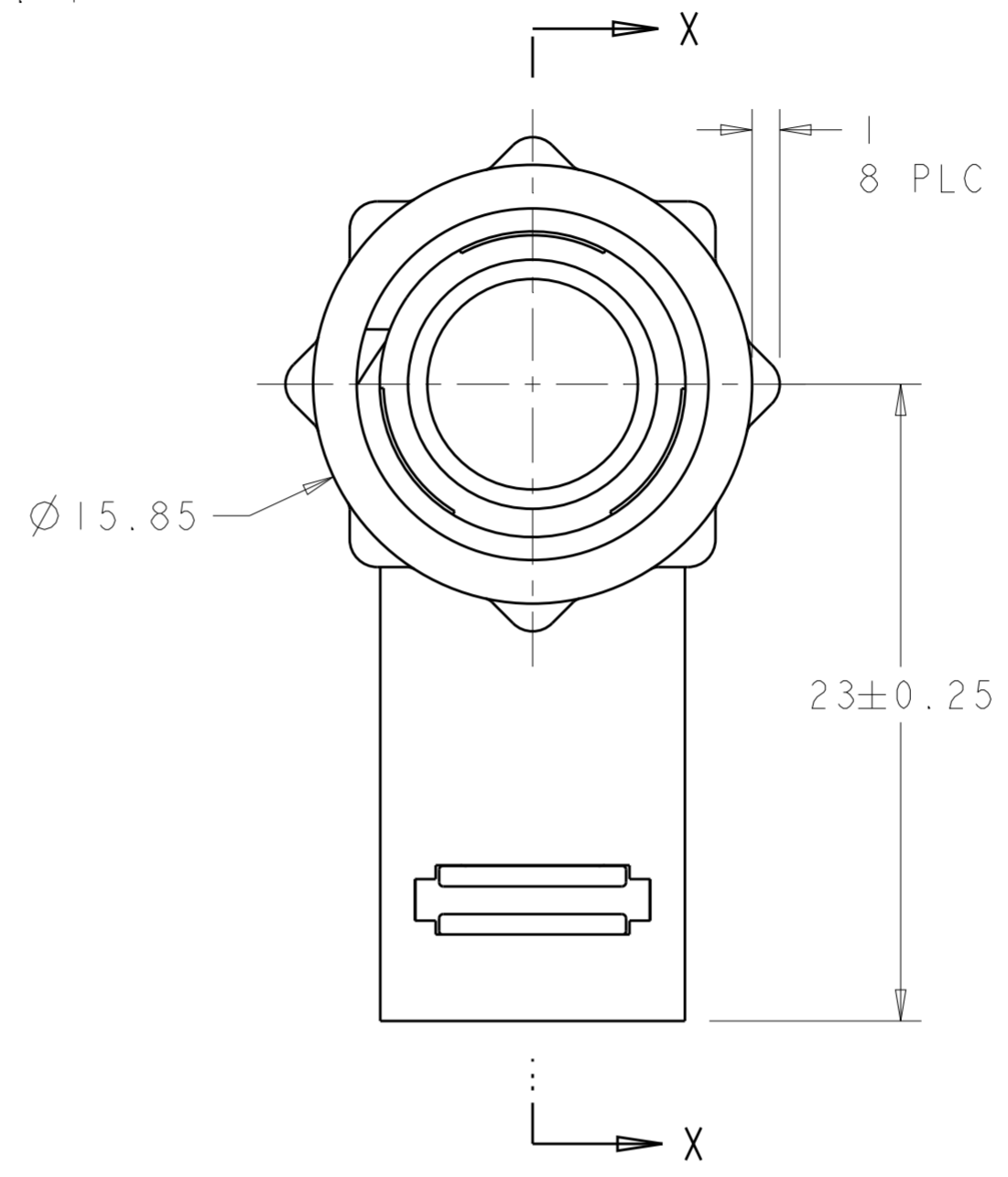
STRAIN RELIEF, RIGHT ANGLE
 THERMOPLASTIC, COLOR: BLACK
 QTY: 1

JAM NUT
 POLYESTER, COLOR: BLACK
 QTY: 1

THERMOPLASTIC, COLOR: BLACK
 CLAMP
 QTY: 2

25.8±0.6

SECTION X-X



- ① PARTS PACKAGED UNASSEMBLED.
- ② CABLE CLAMPING AREA ADJUSTABLE FROM 0.76mm² TO 15.8mm².
- 3. OUTSIDE CABLE DIAMETER: 4.4 MAXIMUM.

OBSOLETE	BULK	1445771-2
	INDIVIDUAL	1445771-1
	PACKAGING	PART NUMBER

THIS DRAWING IS A CONTROLLED DOCUMENT.		DWN SHANE WIESE 21AUG2001	STE TE Connectivity	
DIMENSIONS: mm		CHK G. DOUITY 21AUG2001		
TOLERANCES UNLESS OTHERWISE SPECIFIED:		APVD H. WAKEEM 21JAN2004	NAME ASSEMBLY, STRAIN RELIEF, RIGHT ANGLE, MINI CPC	
0 PLC ±		PRODUCT SPEC -	SIZE CAGE CODE DRAWING NO RESTRICTED TO	
1 PLC ±		APPLICATION SPEC -	A200779 C-1445771	
2 PLC ±0.13		WEIGHT -	SCALE 4:1 SHEET OF REV C	
3 PLC ±		CUSTOMER DRAWING		
4 PLC ±				
ANGLES ±				
FINISH -				