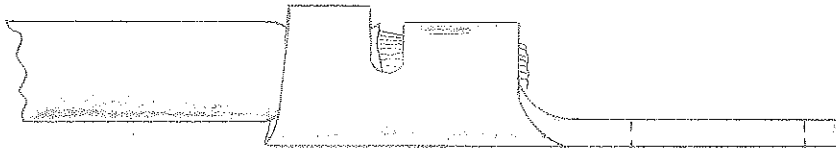
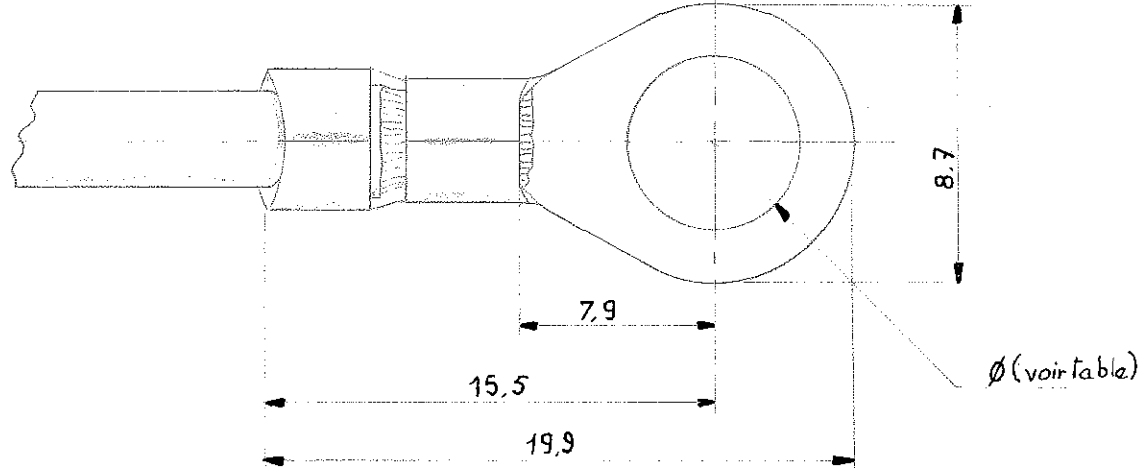


DIMENSIONS IN MM —DO NOT SCALE PRINT

NUMBER
C-140527-32



2,5 à 3,5

A - LAITON
A2 - LAITON ETAME

OBSOLETE	140854.2	A2	6,75
OBSOLETE	140854.1	A	6,75
OBSOLETE	140 546	A2	6,35
OBSOLETE	140 545	A	6,35
OBSOLETE	140 532	A2	5,2
OBSOLETE	140 531	A	5,2
OBSOLETE	140 530	A2	4,3
OBSOLETE	140 529	A	4,3
OBSOLETE	140 528	A2	3,1
OBSOLETE	140 527	A	3,1
	N ^{os}	MAT	"D"

CUSTOMER PRINT
FOR REFERENCE ONLY

©1959 BY AMP INCORPORATED. ALL RIGHTS RESERVED. AMP PRODUCTS COVERED BY PATENTS AND/OR PATENTS PENDING.

-9	-8	-7	-6	-5	-4	-3	-2	-1	DWG SIZE	NUMBER	NAME	REMARKS	ITEM NO.
REQUIRED PER ASSEMBLY									MATERIAL	HEAT TREAT	FINISH		
									Laiton epaisseur 0,6mm				
									DR. Raymond	DATE 12-7-60	APP.	DATE REL	
									CHK. Courty	DATE 12-7-60	APP.	DATE FIRST USED	
									TYPE Auto.	PRINT DIST	LOC	SIZE NUMBER A C-140527-32	
									SCALE	WIRE SIZE 18-14	mm ² MAX. 2 MIN. 0,8	NAME RING TONGUE	
DESCRIPTION												REV C	

DIFF. 46