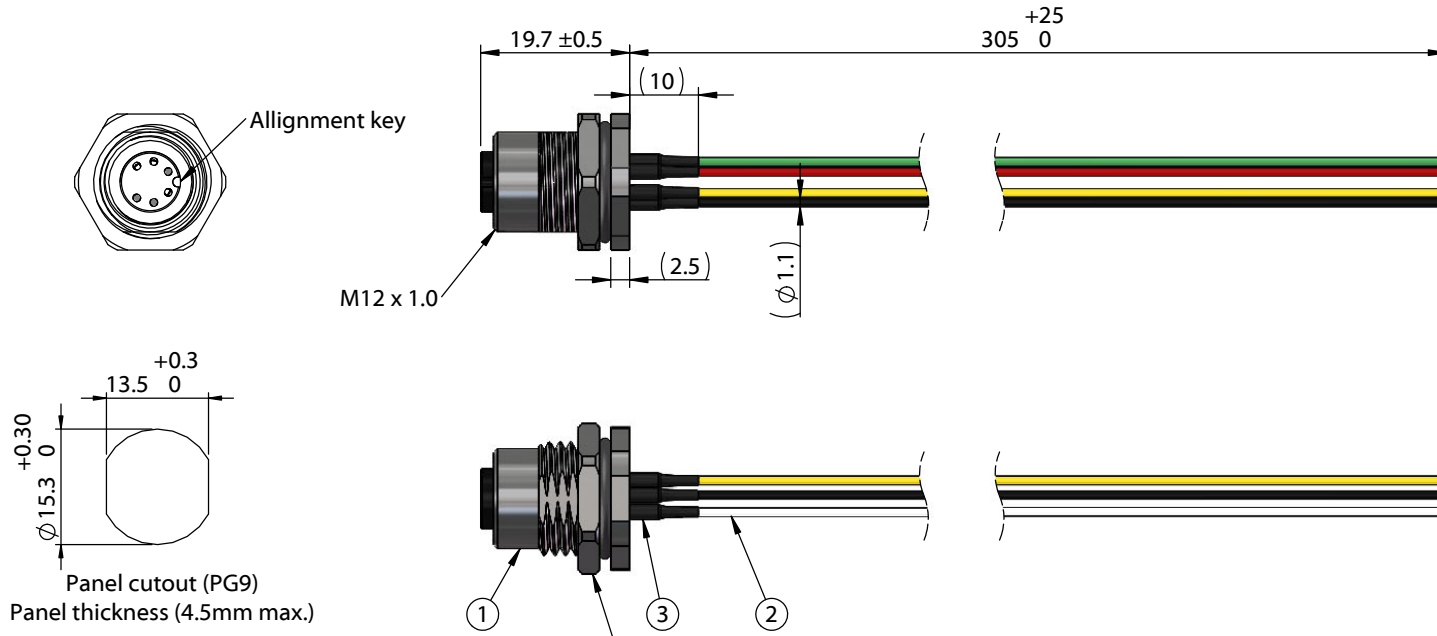
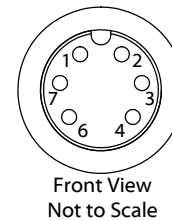


ITEM NO.	PART NUMBER	DESCRIPTION	QTY.	COMPONENT NOTES
1	54-00243	Connector, 6 pin M12 A-code socket, 12xL21.5mm, gold plated, panel mount, solder cup, IP67	1	nut and o-ring included
2	Wire	Wire, hook-up, TS, 24 AWG, UL 11028, 600V, 105C, 1.1 mm, mPPE	6	color: red, black, white, yellow, blue, green
3	Heat shrink	Heat shrink, UL, black	6	covers solder joints



Install from inside the panel, attach nut and tighten from the outside.



Wiring Diagram	
54-00243	wire color (P/N)
1	red (30-01762)
2	yellow (30-01765)
3	black (30-01763)
4	white (30-01764)
6	blue (30-01766)
7	green (30-01767)

Notes:
Cable rated for 30 V, 2 A
Temperature: -40 ~ 105 °C

IP67 waterproof rating when mated with corresponding (IP67) connector and installed properly in panel

Cables individually packaged in PE bag
Functionally equivalent components may be substituted

Revision:	Date:	Description:	Prepared: PB <small>Digitally signed by PB Date: 2022.12.01 08:35:23 -08'00'</small>	Notes:
A	11/7/2022	Initial release	Verified: MP <small>Digitally signed by MP Date: 2022.12.01 09:54:04 -08'00'</small>	RoHS compliant
			Dimensions are in millimeters. Tolerances: X: ± 0.5 mm X.X: ± 0.3 mm X.XX: ± 0.05 mm	Function test: no open, no short circuit, no intermittent
				Description:
				Cable, 305 mm, M12 6C socket panel mount 54-00243 to blunt cut, 24 AWG, UL 11028 hook-up wire

TENSILITY

tel 1.541.323.3228 800 877.670.7118
fax 1.541.323.4202 web tensility.com

Size: Part number:
A 10-05262

Scale: 1:1



Sheet 1 of 1