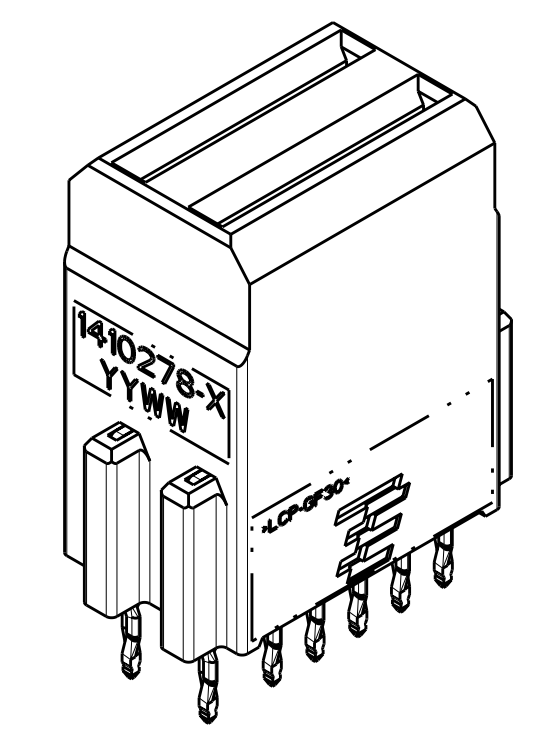
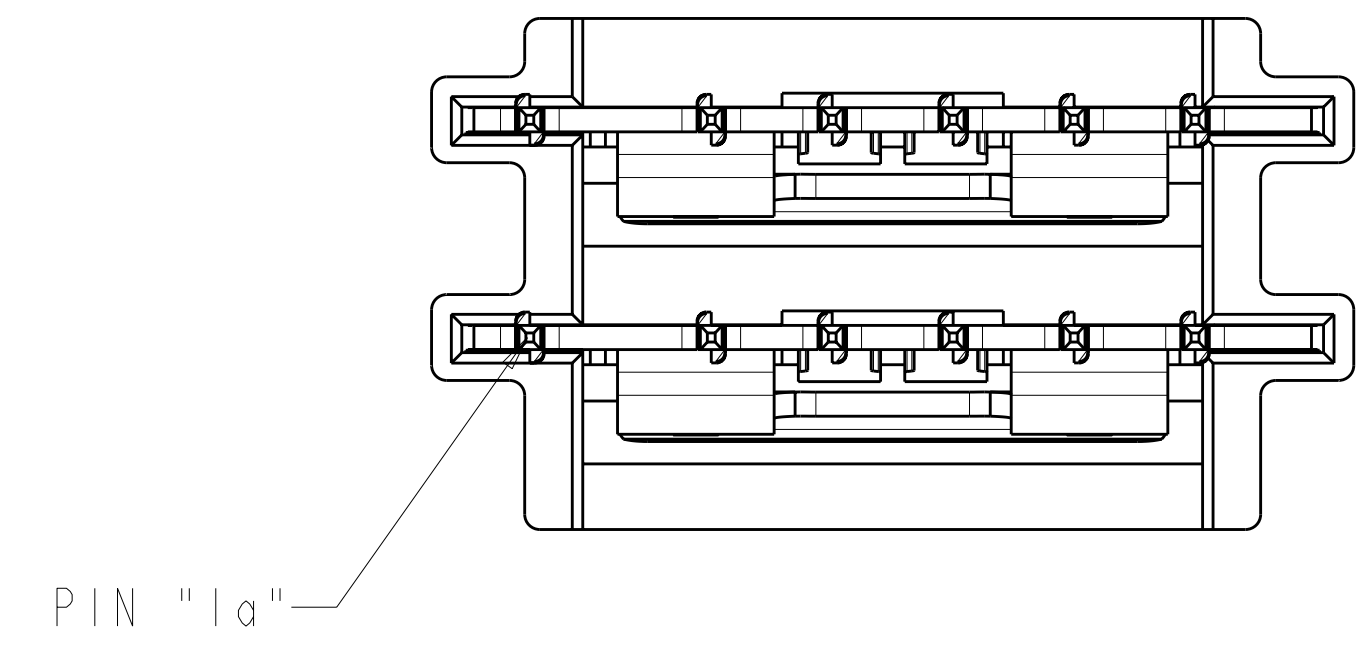
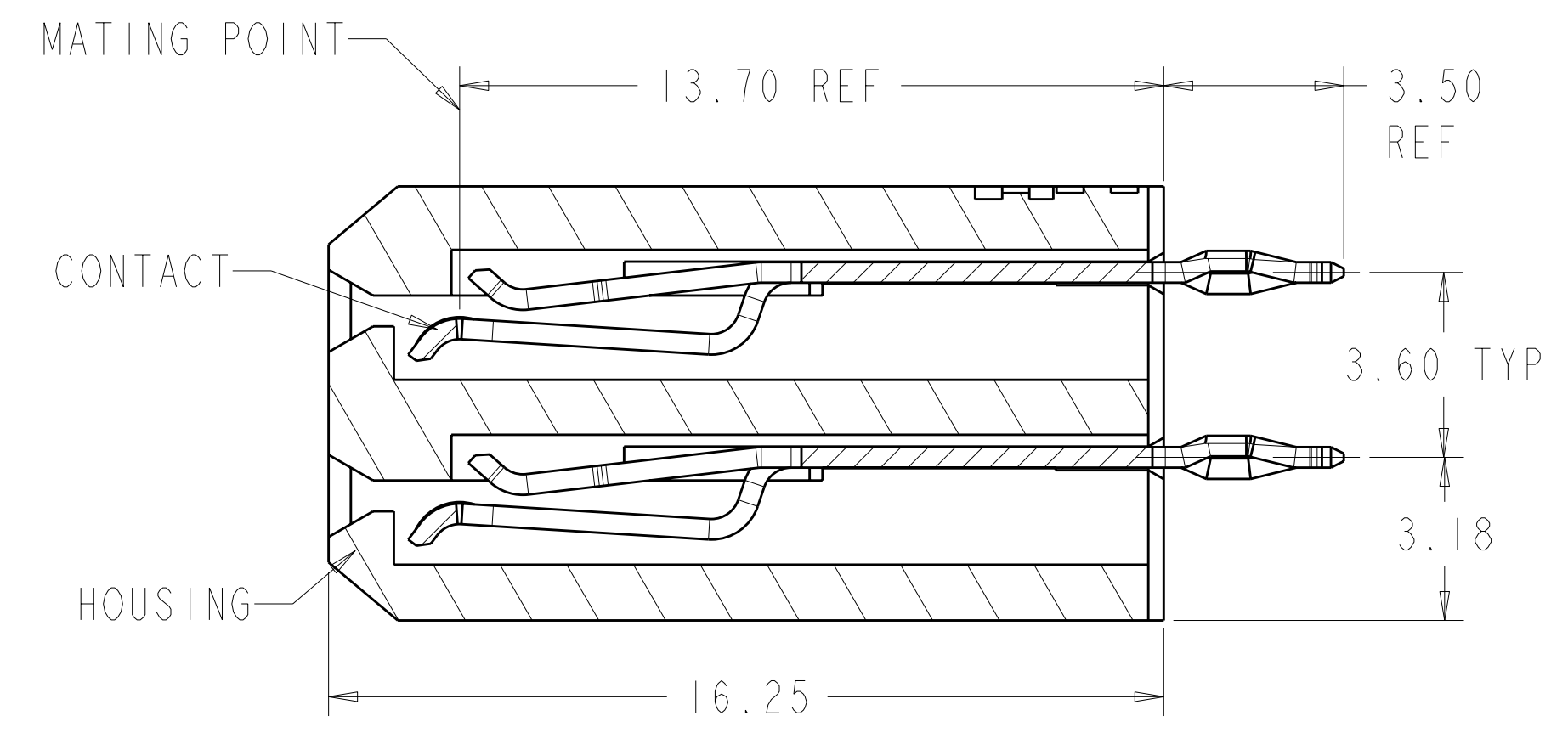
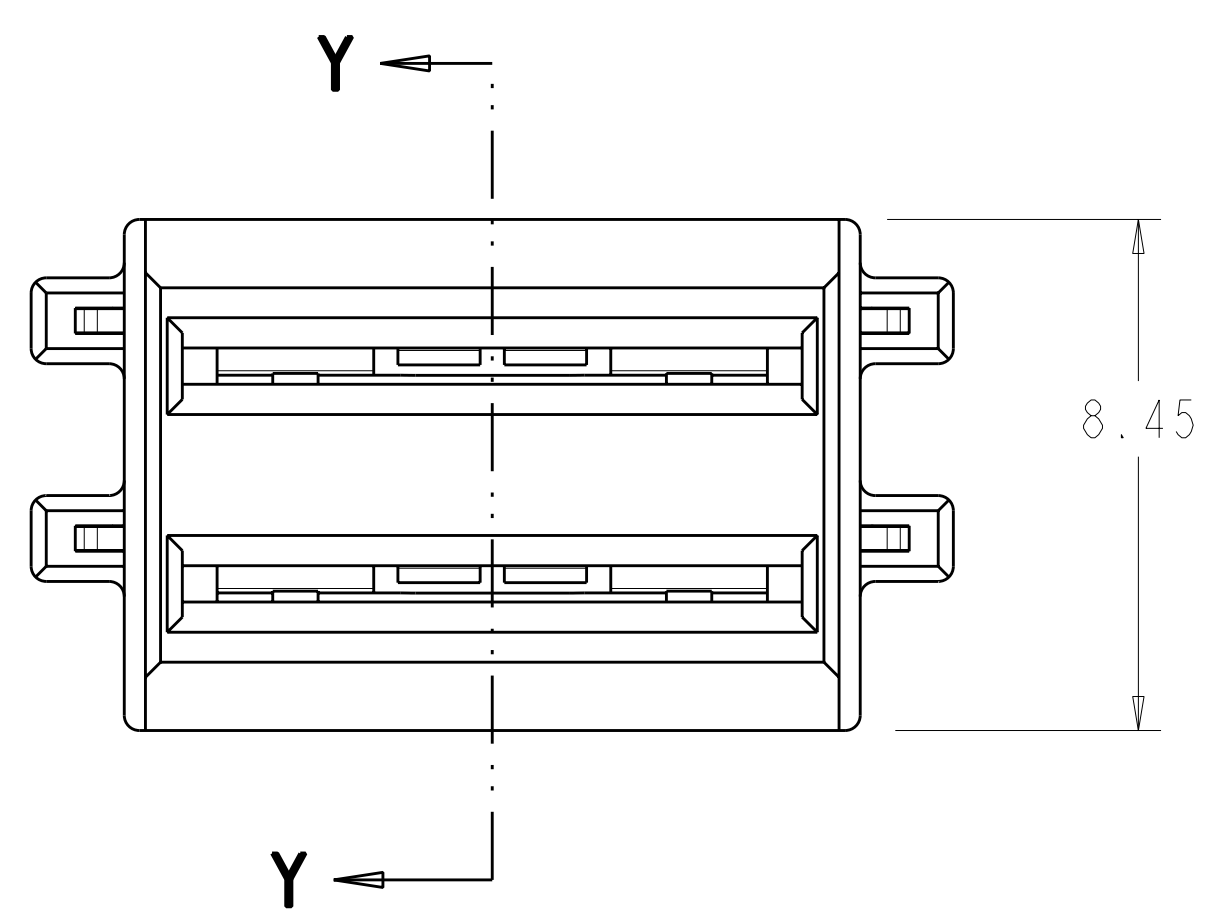
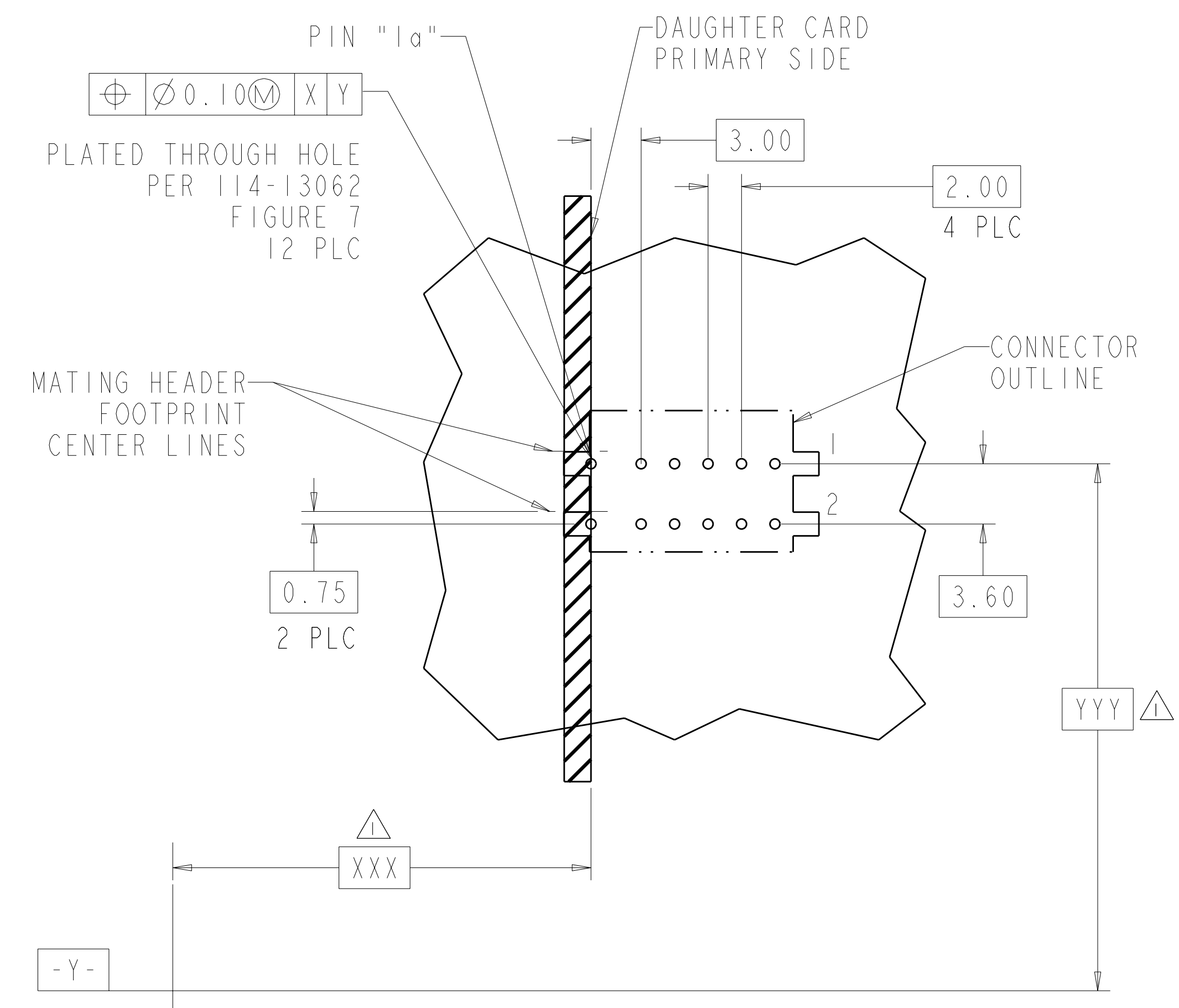
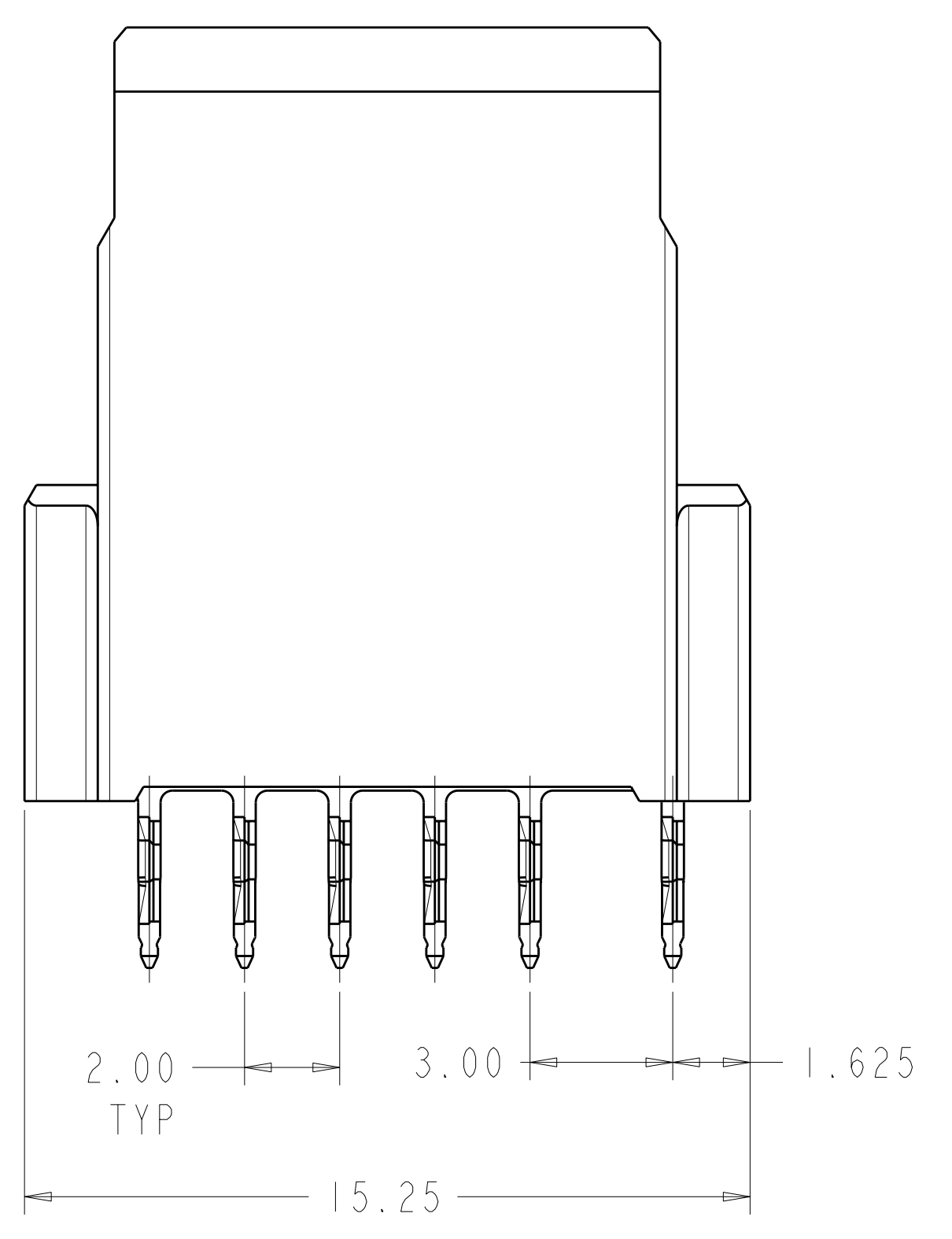


LOC	DIST	REV	DATE	BY	APPD
AD	00	A2	24APR2012	KH	AS



SCALE 4:1



RECOMMENDED PCB HOLE LAYOUT
BACKPLANE
PRIMARY SIDE
SCALE 4:1

- 1 DIMENSIONS PER CUSTOMER BOARD LAYOUT
- 2 FINISH: 1.27mm MIN GOLD IN CONTACT AREA, 1.27mm MIN TIN-LEAD ON PCB TAIL, OVER 1.27mm MIN NICKEL OVER ALL.
- 3 HOUSING: LCP, UL94V-0, BLACK CONTACT: PHOSPHOR BRONZE
- 4 FINISH: 1.27 μm MIN GOLD IN CONTACT AREA, 1.27 μm MIN TIN ON PCB TAIL, OVER 1.27 μm MIN NICKEL OVER ALL.

1	1410278-2
2	1410278-1
PART NUMBER	

THIS DRAWING IS A CONTROLLED DOCUMENT.		DWN S. WELLER 02NOV2000	STE TE Connectivity
DIMENSIONS: mm		CHK S. WELLER 02NOV2000	
TOLERANCES UNLESS OTHERWISE SPECIFIED:		APVD D. HELSTER 02NOV2000	NAME ASSEMBLY, POWER, VERTICAL RECEPTACLE, 2 CAVITY, 20.3mm, MULTIGIG
9 PLC ±0.3		PRODUCT SPEC 108-2062	
2 PLC ±0.25		APPLICATION SPEC 114-13062	SIZE CAGE CODE DRAWING NO RESTRICTED TO
3 PLC ±0.25		WEIGHT	A1 00779 C=1410278
4 PLC ±0.25		CUSTOMER DRAWING	SCALE 8:1 SHEET 1 OF 1 REV A2
ANGLES ±1°			
FINISH			