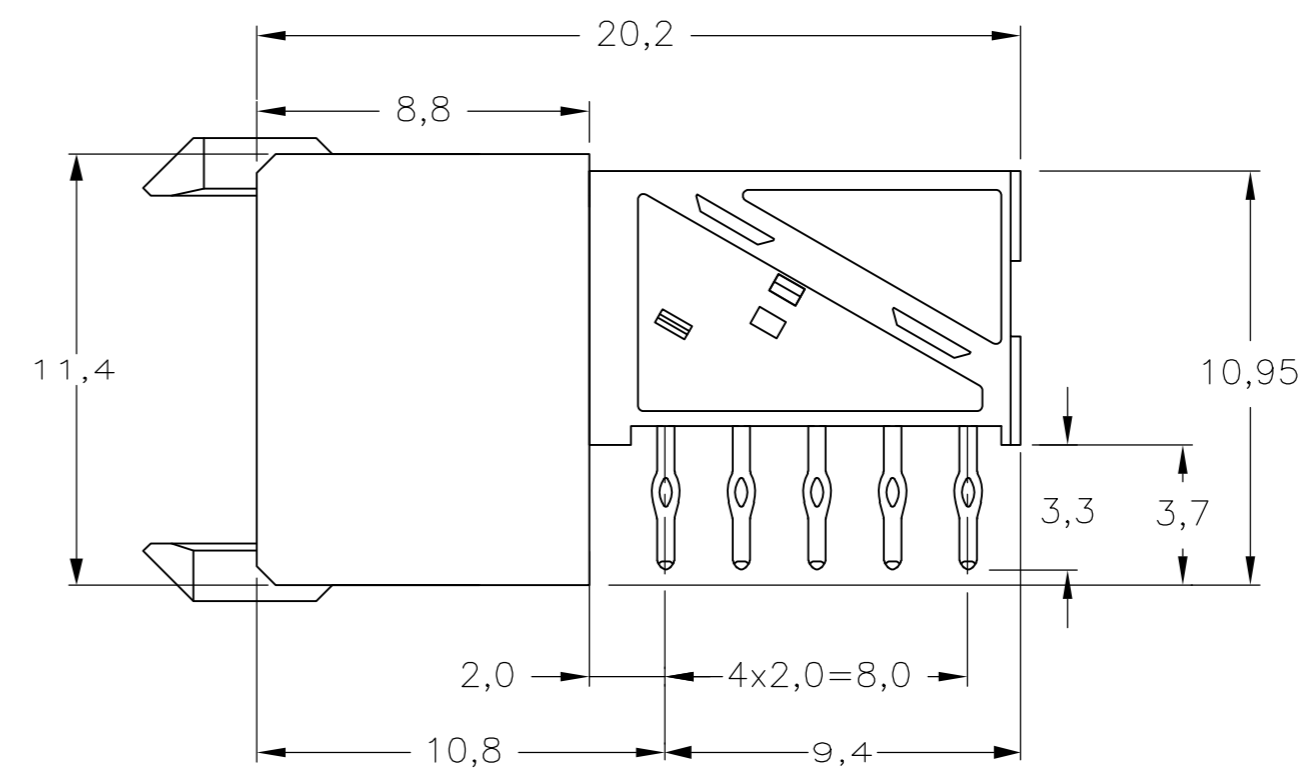
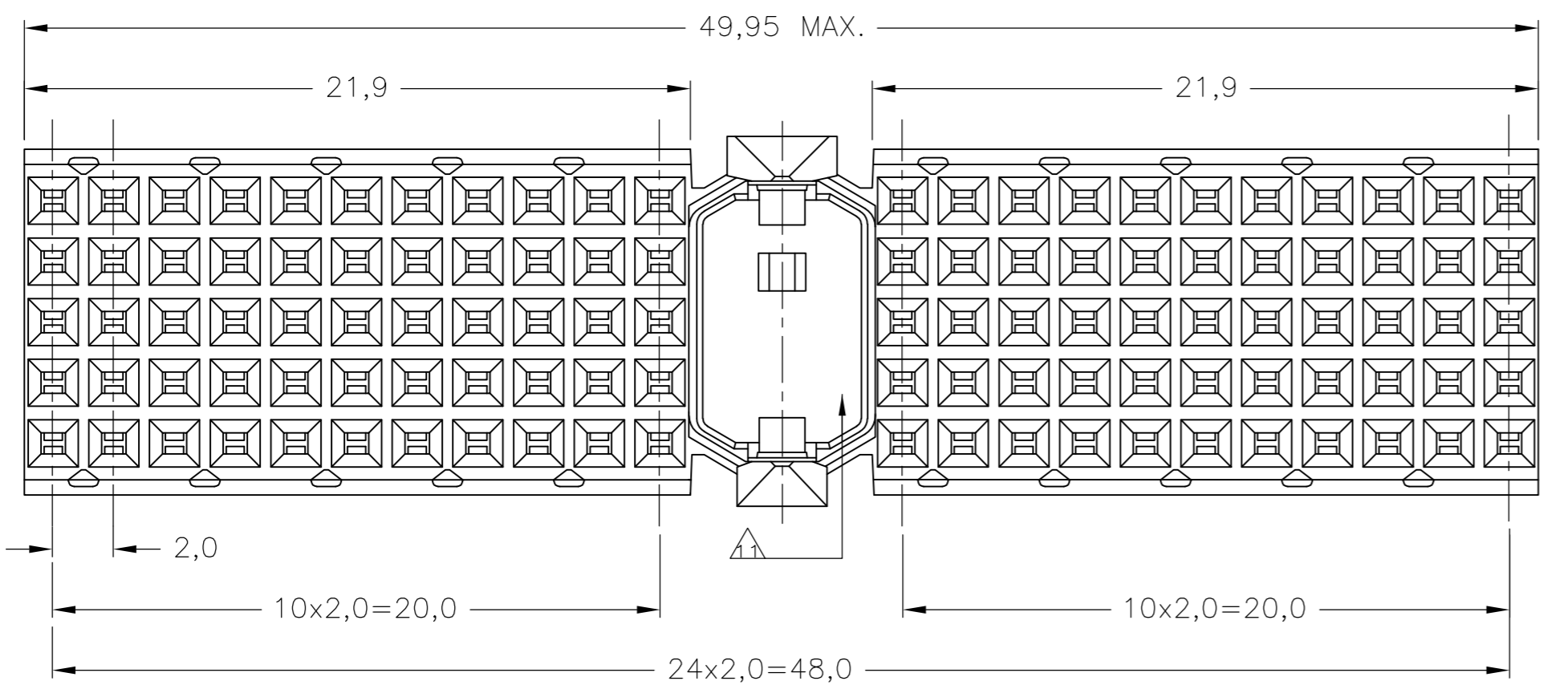
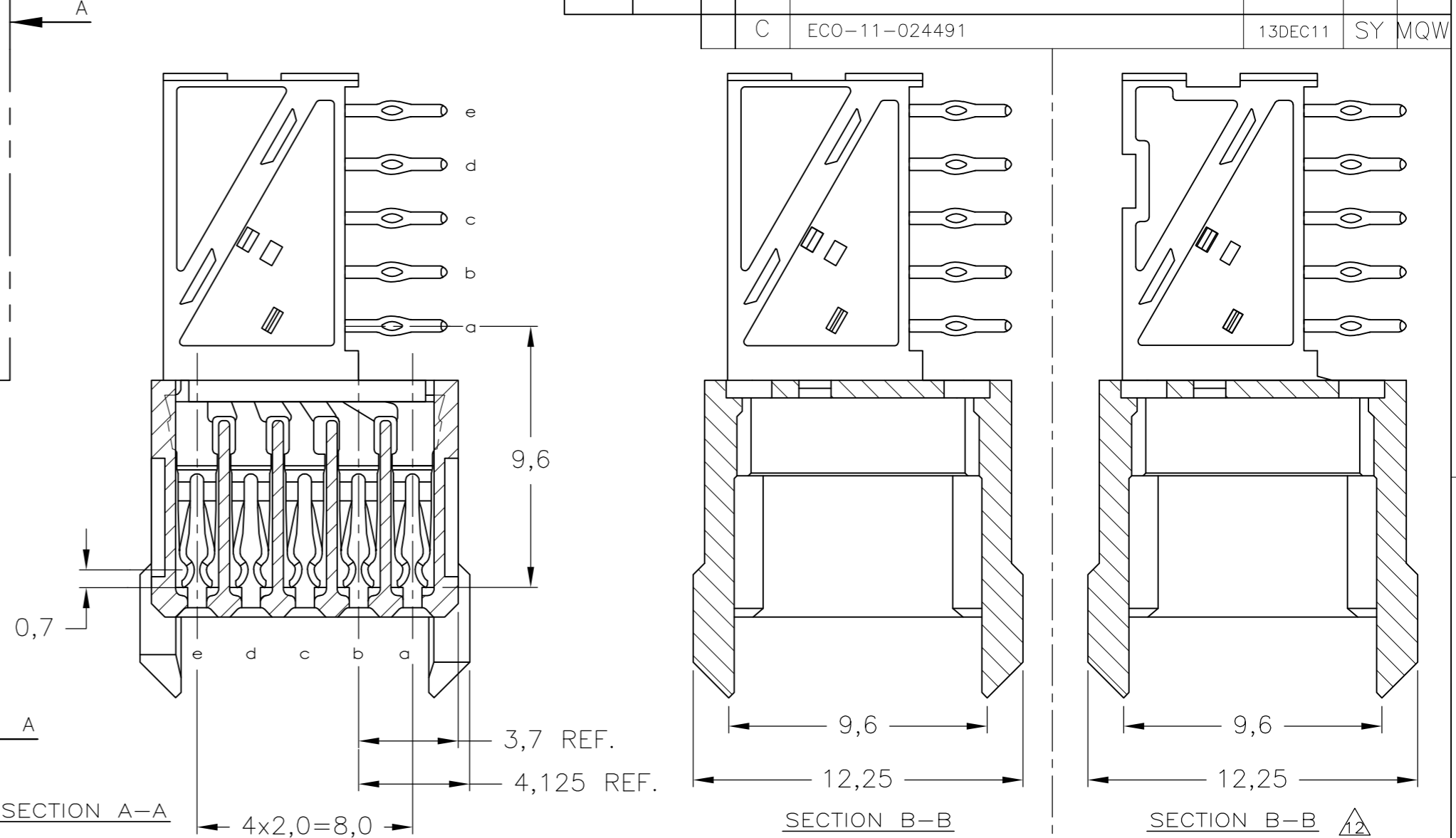
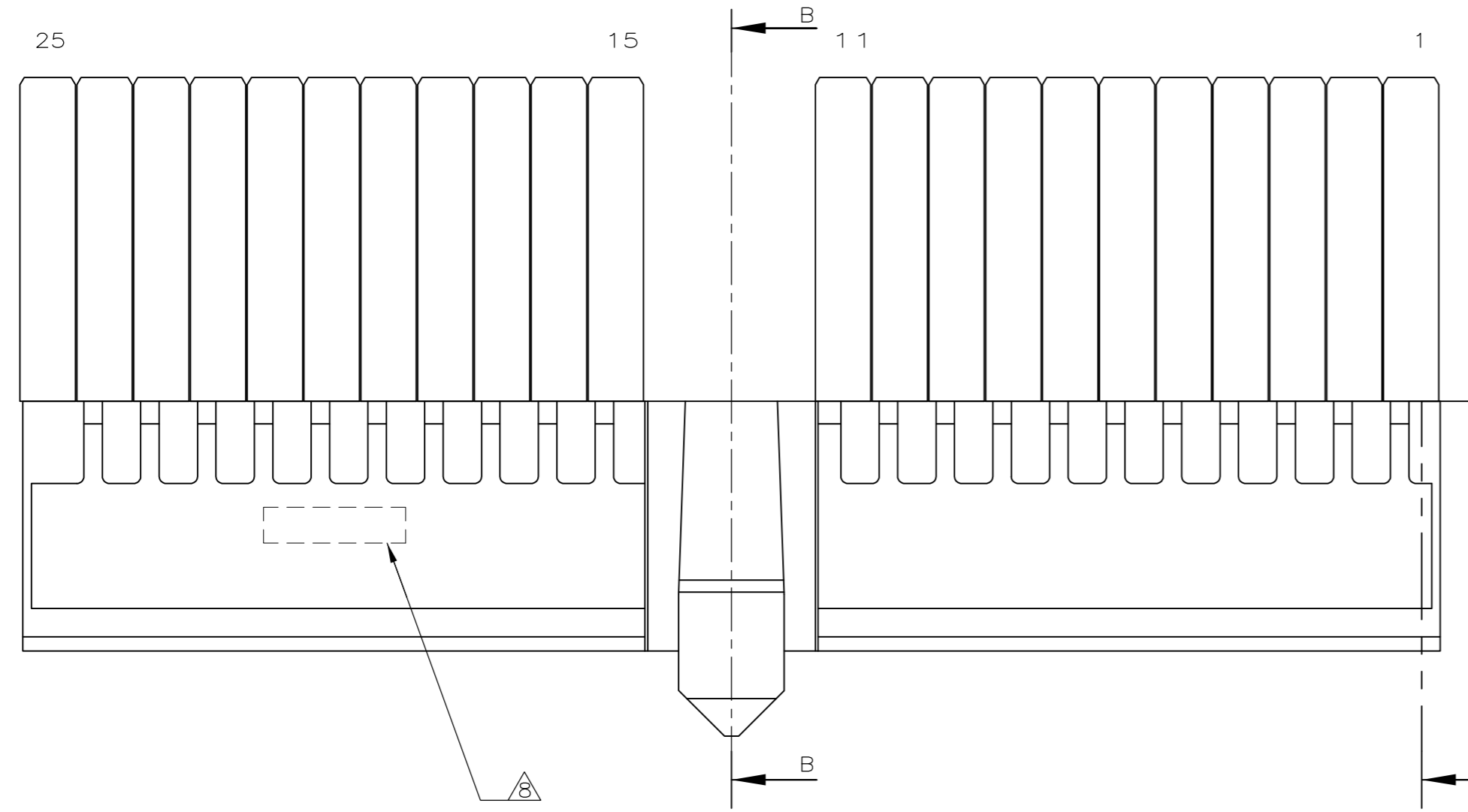
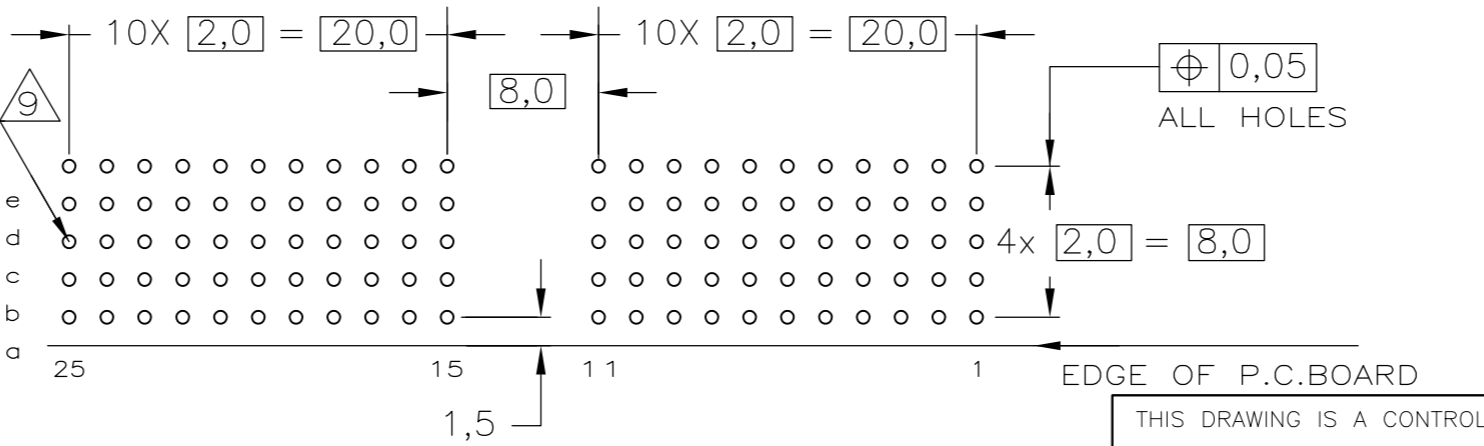


THIS DRAWING IS UNPUBLISHED. RELEASED FOR PUBLICATION
 © COPYRIGHT BY TYCO ELECTRONICS CORPORATION. ALL RIGHTS RESERVED.

LOC		DIST		REVISIONS			
P	LTR	DESCRIPTION	DATE	DWN	APVD		
C	ECO-11-024491		13DEC11	SY	MQW		



- NOTES:**
- ① MATERIAL CONTACT; PHOSPHORBRONZE
 - ② MATERIAL HOUSING; GLASSFILLED POLYESTER (GRAY) UL-RATING 49V0
 - ③ GENERAL PLATING SPECIFICATION: UNDERPLATING (ENTIRE CONTACT): 1,27µm NICKEL MIN. AND COMPLIANT PIN SECTION: 0,5µm TIN MIN. FOR PLATING OF MATING SURFACES SEE APPLICABLE SPECIFICATION REFERENCE FOR EACH DASH NUMBER.
 - ④ CONFORMS TO ALL TESTING ACCORDING IEC 61076-4-101 PERFORMANCE LEVEL 2.
 - ⑤ CONFORMS TO ALL TESTING ACCORDING IEC 61076-4-101 PERFORMANCE LEVEL 1.
 - ⑥ CONNECTOR TESTED AND QUALIFIED AGAINST TELCORDIA GR-1217-CORE QUALITY LEVEL III, CENTRAL OFFICE APPLICATIONS.
 - ⑦ CONNECTOR TESTED AND QUALIFIED AGAINST TELCORDIA GR-1217-CORE QUALITY LEVEL III, UNCONTROLLED ENVIRONMENT APPLICATIONS.
 - ⑧ CONNECTOR LUBRICATED WITH TELCORDIA GR-1217-CORE APPROVED LUBRICANT.
 - ⑨ CONNECTOR MARKED WITH PARTNUMBER AND DATECODE. THE MARKING CAN APPEAR ON THE FRONT SIDE OR ON THE BACK SIDE.
 - ⑩ PLATED-THROUGH HOLES AT 2x2mm SQUARE GRID. 110 HOLES.
 - ⑪ FITS WITH INTEGRATED GROUND RETURN UPSHIELD, BASIC P.N. 5338107 AND INTEGRATED GROUND RETURN LOWERSHIELD, BASIC P.N. 5338108
 - ⑫ AREA RESERVED FOR CODING KEY, BASIC P.N. 100526
 - ⑬ CONNECTOR ASSEMBLED WITH ALTERNATE FEMALE CONTACTS.



SCALE 2,5:1
 COMPONENT SIDE AS SHOWN
 RECOMMENDED PCB-HOLE LAY-OUT

P.C.B. HOLE DIM. COMPLIANT PIN
 FOR DETAILS SEE APPLICATION SPECIFICATION

THIS DRAWING IS A CONTROLLED DOCUMENT.

DIMENSIONS:	TOLERANCES UNLESS OTHERWISE SPECIFIED:
mm	
	0-PLC ±
	1-PLC ±
	2-PLC ± ±0.2
	3-PLC ±
	4-PLC ±
	ANGLES ±
MATERIAL	FINISH
-	-

DWN	23-AUG-07	J.van Hoek	Tyco Electronics Corporation 's-Hertogenbosch, 5222AR-32
CHK	23-AUG-07	B.Mooij	
APVD	23-AUG-07	J.Broeksteeg	
PRODUCT SPEC	108-19082		
APPLICATION SPEC	114-19029		NAME: Z-PACK 2mm HM TYPE A 110 POS. FEMALE CONNECTOR
WEIGHT	-		SIZE: A2 CAGE CODE: 00779 DRAWING NO: C=1857989
CUSTOMER DRAWING			RESTRICTED TO: - SCALE: 5:1 SHEET: 1 OF 1 REV: C