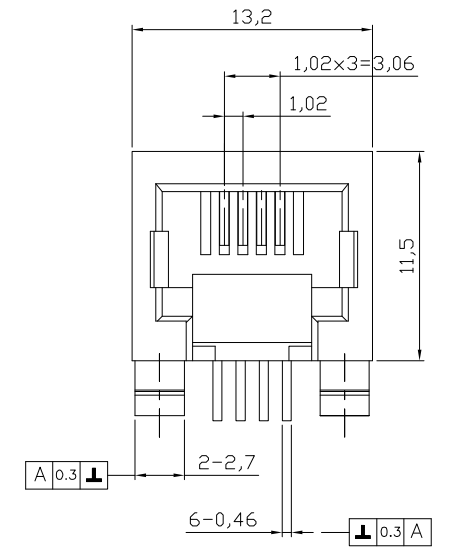


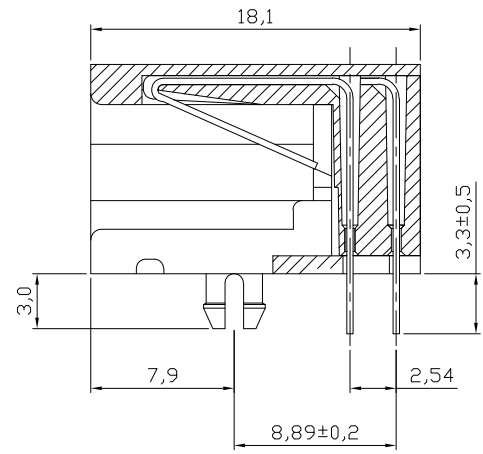
1 2 3 4 5 6 7

A



A

B



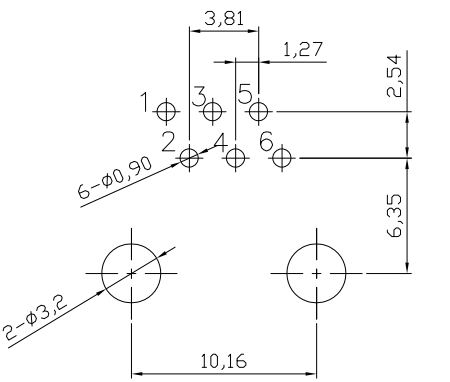
B

C

NOTES:
Mechanical:
 1. Housing material : Glass Filled Polyester UL94V-0 , Color: Black
 2. Contact material: Phosphor Bronze t=0.35mm
 3. Contact plating: Contact area---Selective gold plating
 Tails---Tin plated all over 50u" Nickel
 4. Operating Life: 750 Cycles min.
 5. PCB Retention Pre-solder: 1 LB min.
 6. PCB Retention Post-solder: 10 LBS min.
Electrical:
 1. Voltage Rating: 125VAC.
 2. Current Rating: 1.5AMP.
 3. Contact Resistance: 35mΩ max.
 4. Insulation Resistance: 1000MΩ min. @ 500 VDC
 5. Dielectric Strength: 1000 VAC 60Hz, 1 min.
Environmental:
 1. Storage: -40°C To +85°C
 2. Operation: -40°C~+85°C
 3. Wave Soldering Temp: 200~220°C(5~10S)
 Packing: 120pcsTray, 3360pcs/Carton

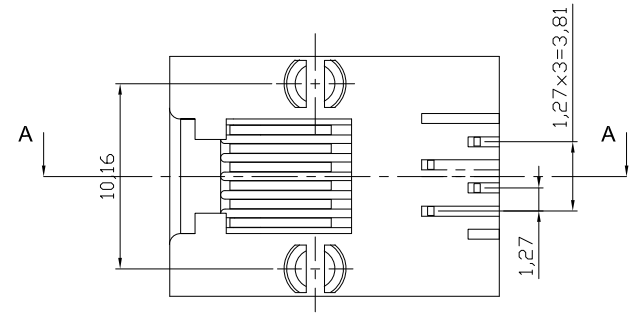
C

D



D

E



E

Order code: A-2004-0-X-LP-N
 Contact plating:
 1: selective 15u" gold
 2: selective 30u" gold
 3: selective 50u" gold
 4: selective 6u" gold

F

F

RoHS compliant
Unit:mm

| | | | | | | | | | |
|-----------|-------|-----|--------------|------------|------|----------|------------|---------|-----------------|
| Scale | Free | | | | | | Date | Name | Customer-No. |
| TOLERANCE | | | | | | Drawn | 27.05.2013 | Amy | |
| X.X | ±0.20 | | | | | Approved | 27.05.2013 | Amy | ASSMANN WSW-No. |
| X.XX | ±0.15 | | | | | | | | A-2004-0-X-LP-N |
| X.XXX | ±0.10 | | | | | | | | Drawing-No. |
| DIM | TOL | | | | | | | | ASS 5683 CO |
| | | ① | Drawn | 27.05.2013 | Amy | | | | rev00 |
| Angle | ±5° | Id. | Modification | Date | Name | | | Replace | SHEET |

G

H

H

1 2 3 4 5 6 7