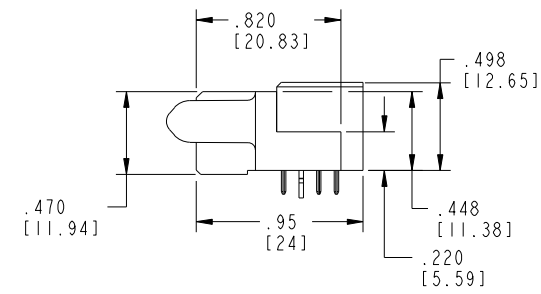
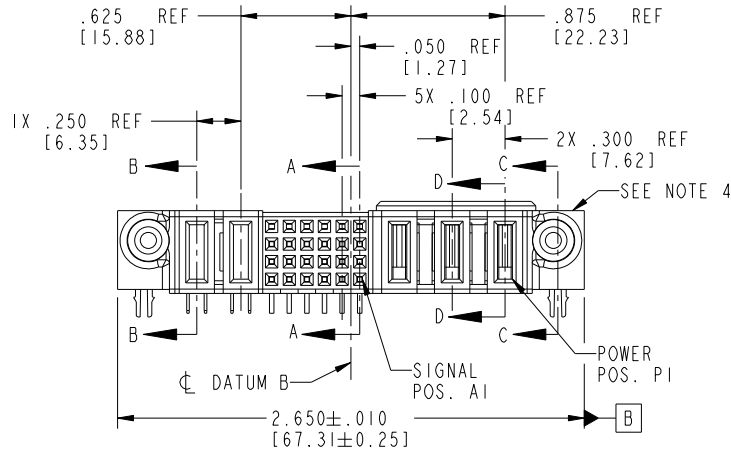
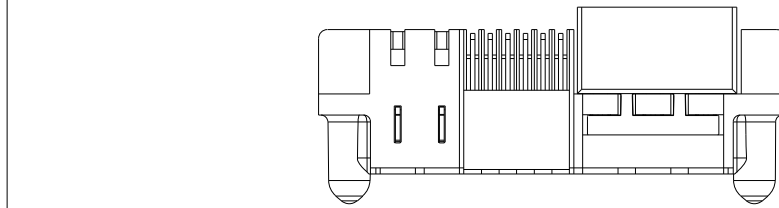
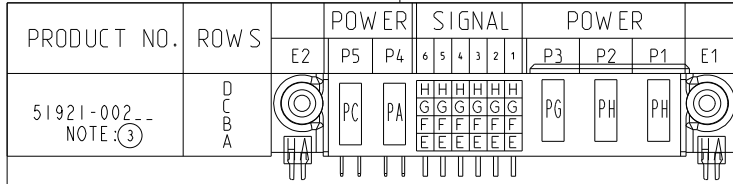


Tous droits strictement reserves. Reproduction ou communication a des tiers interdite sous quelque forme que ce soit sans autorisation écrite du propriétaire. Propriete de c FCI. Droits de reproduction FCI.



All rights strictly reserved. Reproduction or issue to third parties in any form whatever is not permitted without written authority from the proprietor. Property of FCI. Copyright FCI.



CODE	DIM "M" MATING LENGTH	CONTACT TYPE
PC	.092 [2.34]	POWER
PG	.042 [1.07]	POWER
H	N/A [N/A]	SIGNAL
G	N/A [N/A]	SIGNAL
F	N/A [N/A]	SIGNAL
E	N/A [N/A]	SIGNAL
HA	N/A [N/A]	HOLD-DOWN
PA	.042 [1.07]	POWER
PH	.092 [2.34]	POWER

mat'l code SEE NOTE 2				tolerances unless otherwise specified		CUSTOMER		www.fciconnect.com	
ltr	ecn no.	dr	date	linear	.XX±.01/0.X±0.3	COPY		title 3ACP + 24S + 2P	
A	V03-0686	MEM	6/18/03	projection	.XXX±.005/0.XX±0.13			R/A SLDR RCPT CABLE PORT	
B	V03-0790	MEM	7/16/03	angles	.XXX±.002/0.XXX±0.051	INCH/MM		product family PwrBlade code 213	
C	V03-0884	MEM	8/9/03		0°±2°	scale 1:1		size dwg no 213	
D	V03-0897	MEM	8/12/03	dr	M. MOSTOLLER 6/18/03	A		sheet 1 of 4	
E	DG05-0186	GuoJM	06/27/05	enrg	M. MOSTOLLER 6/18/03	51921-002			
F	DG08-0273	WD	12/10/08	chr	H. BREWBAKER 6/18/03				
				appd	M. MOSTOLLER 6/18/03				
sheet index	revision sheet	F 1	F 2	F 3	F 4				

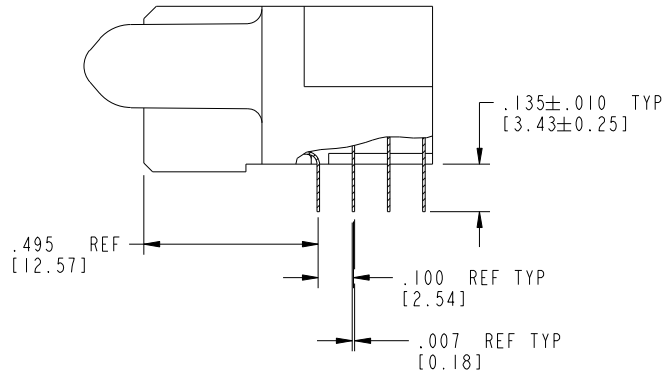
cage code 22526

Pro/E

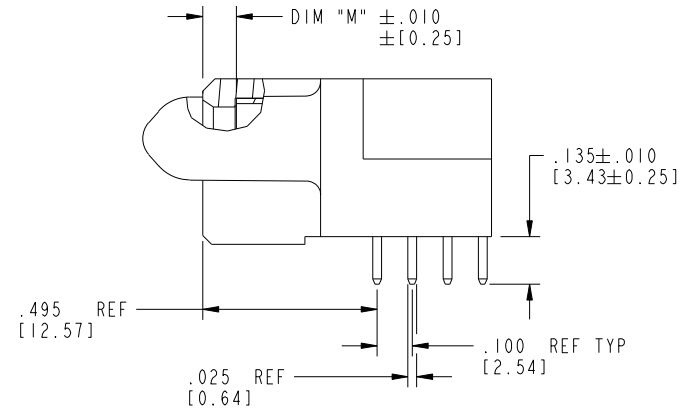
Tous droits strictement reserves. Reproduction ou communication a des tiers interdite sous quelque forme que ce soit sans autorisation écrite du propriétaire. Propriete de c FCI. Droits de reproduction FCI.

All rights strictly reserved. Reproduction or issue to third parties in any form whatever is not permitted without written authority from the proprietor. Property of FCI. Copyright FCI.

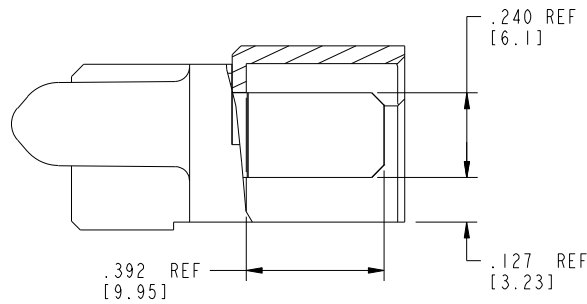
PRODUCT NUMBER
51921-002--
NOTE: (3)



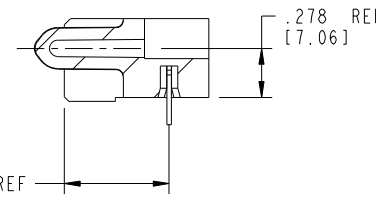
BROKEN-OUT SECTION A-A
SCALE 2:1



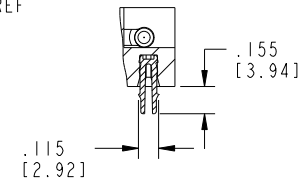
SECTION B-B
SCALE 2:1



SECTION D-D
SCALE 2:1



SECTION C-C



SECTION E-E

mat'l code		SEE NOTE 2		tolerances unless otherwise specified		CUSTOMER		FCI	
lfr	ecn no.	dr	date	linear	.XX±.01/0.X±0.3	COPY		www.fciconnect.com	
F					.XXX±.005/0.XX±0.13	projection		title 3ACP + 24S + 2P	
				angles	.XXX±.002/0.XXX±0.051	INCH/MM		R/A SLDR RCPT CABLE PORT	
				dr	0°±2°	scale		product family PwrBlade code 213	
				enrg	M. MOSTOLLER 6/18/03	1:1		size dwg no 213	
				chr	M. MOSTOLLER 6/18/03			sheet 2 of 4	
				appd	H. BREWBAKER 6/18/03			51921-002	
sheet index	revision sheet							cage code	22526

Pro/E

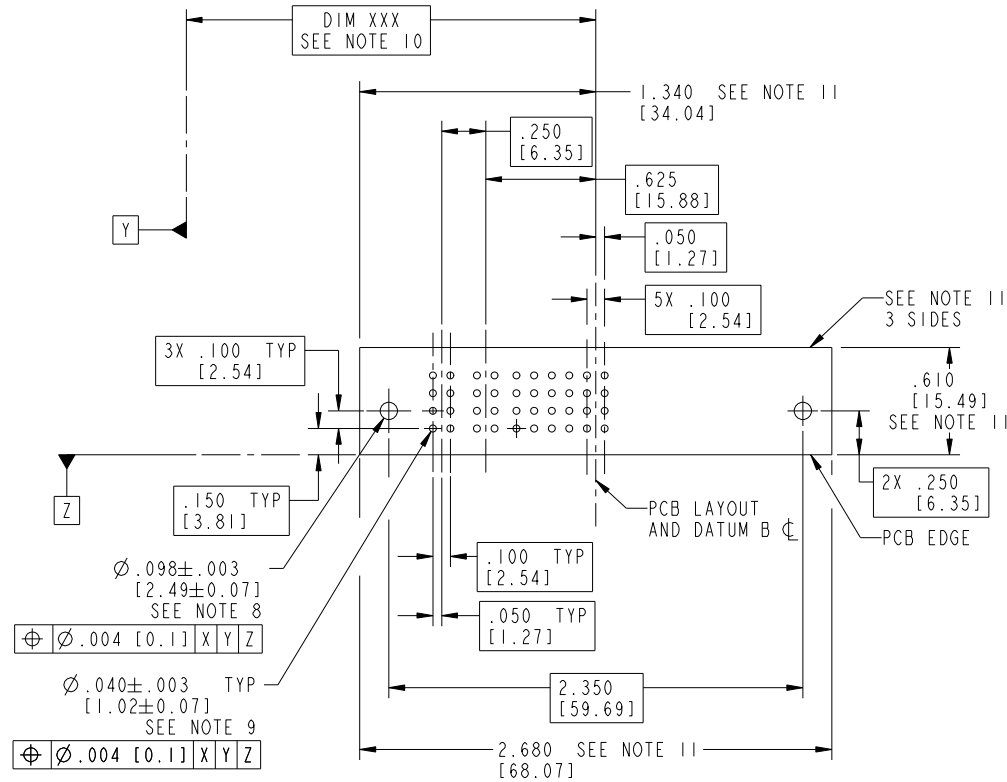
cage code 22526

Tous droits strictement réservés. Reproduction ou communication à des tiers interdite sous quelque forme que ce soit sans autorisation écrite du propriétaire. Propriété de c.FCI. Droits de reproduction FCI.



All rights strictly reserved. Reproduction or issue to third parties in any form whatsoever is not permitted without written authority from the proprietor. Property of FCI. Copyright FCI.

PRODUCT NUMBER
51921-002--
NOTE:③



mat'l code SEE NOTE 2				tolerances unless otherwise specified		CUSTOMER		FCI	
ltr	ecn no.	dr	date	linear	$.XX \pm .01 / 0.X \pm 0.3$	COPY		www.fciconnect.com	
F				angles	$.XXX \pm .005 / 0.XX \pm 0.13$	projection		title 3ACP + 24S + 2P	
				dr	$.XXX \pm .002 / 0.XXX \pm 0.051$	INCH/MM		R/A SLDR RCPT CABLE PORT	
				enr	$0^\circ \pm 2^\circ$	scale		product family PwrBlade code 213	
				chr	M. MOSTOLLER 6/18/03	1:1		size dwg no 213	
				appd	M. MOSTOLLER 6/18/03			sheet 3 of 4	
sheet index	revision sheet								

cage code 22526

Tous droits strictement reserves. Reproduction ou communication a des tiers interdite sous quelque forme que ce soit sans autorisation écrite du propriétaire. Propriete de c FCI. Droits de reproduction FCI.



All rights strictly reserved. Reproduction or issue to third parties in any form whatever is not permitted without written authority from the proprietor. Property of FCI. Copyright FCI.

PRODUCT NUMBER
51921-002--
NOTE: (3)

NOTES:

1. DIMENSIONS AND TOLERANCES ARE IN ACCORDANCE WITH ASME Y14.5M, 1994 UNLESS OTHERWISE SPECIFIED.

CONNECTOR NOTES:

2. HOUSING MATERIAL: UL 94 V-0 GLASS FILLED HIGH-TEMP THERMOPLASTIC
POWER CONTACT MATERIAL: COPPER ALLOY
SIGNAL PIN MATERIAL: COPPER ALLOY

(F) 3. SEE ITEM 5 & 6 IN PRINT 10064183 FOR PLATING SPEC OF 51921-002 AND 51921-002LF RESPECTIVELY.

4. MANUFACTURER'S NAME, P/N, AND DATE CODE TO APPEAR ON THIS SURFACE.

5. PRODUCT SPECIFICATION GS-12-149.
APPLICATION SPECIFICATION BUS-20-067.

6. PACKAGED IN TRAYS.

PCB NOTES:

7. ALL HOLE DIAMETERS ARE FINISHED HOLE SIZE.

8. MOUNTING HOLES, WHERE APPLICABLE, ARE UNPLATED.

9. $\varnothing .0453 \pm .0010$ [1.151 \pm 0.025] DRILLED HOLES PLATED WITH
.0003 [0.008] MIN SnPb OVER .001 [0.03]
TO .003 [0.08] Cu PLATING TO ACHIEVE
 $\varnothing .040 \pm .003$ [1.02 \pm .07] HOLE.

10. "DIM XXX" TO BE DETERMINED BY THE CUSTOMER.

11. CONNECTOR KEEP-OUT ZONE.

12. (F) SYMBOL WILL BE NEXT TO ANY DIMENSION, VIEW, OR NOTE WHICH HAS BEEN MODIFIED WITH THE CURRENT DRAWING REVISION.

mat'l code				SEE NOTE 2		tolerances unless otherwise specified		CUSTOMER		FCI		www.fciconnect.com		
ltr	ecn no.	dr	date	linear	.XX±.01/0.X±0.3		COPY		projection	title			3ACP + 24S + 2P R/A SLDR RCPT CABLE PORT	
F					.XXX±.005/0.XX±0.13		INCH/MM			product family		code		
					.XXX±.0020/0.XXX±0.051		scale			PwrBlade		213		
				angles	0°±2°		1:1		size		sheet			
				dr	M. MOSTOLLER	6/18/03			dwg no		4 of 4			
				engr	M. MOSTOLLER	6/18/03			A		51921-002			
				chr	H. BREWBAKER	6/18/03								
				appd	M. MOSTOLLER	6/18/03								
sheet index		revision sheet												

cage code 22526

Pro/E