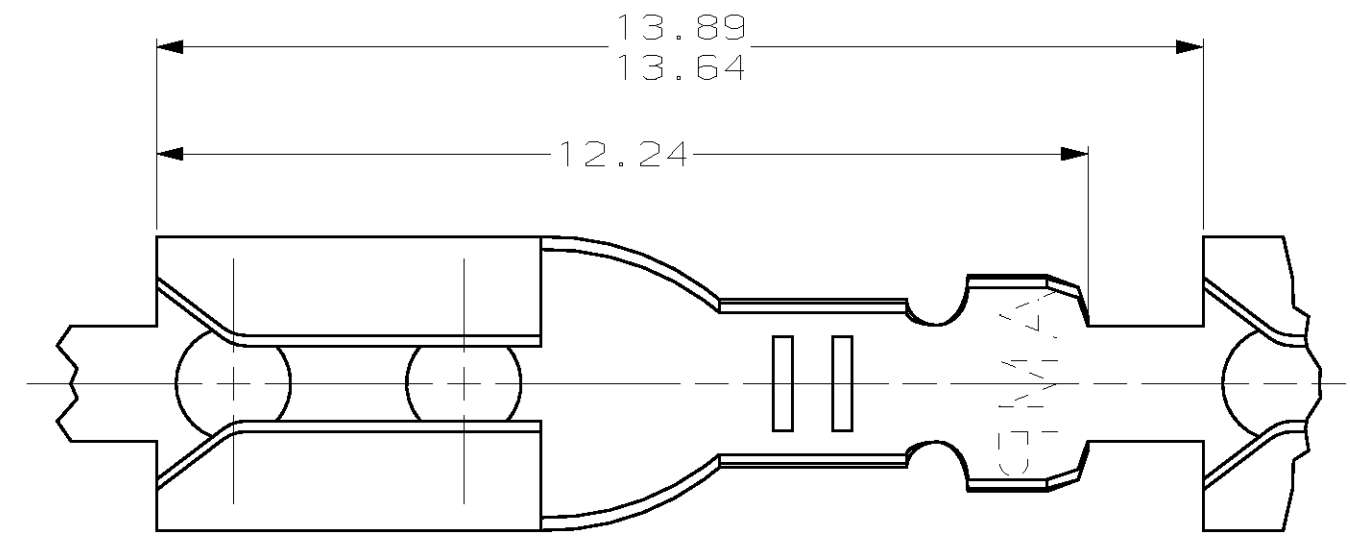
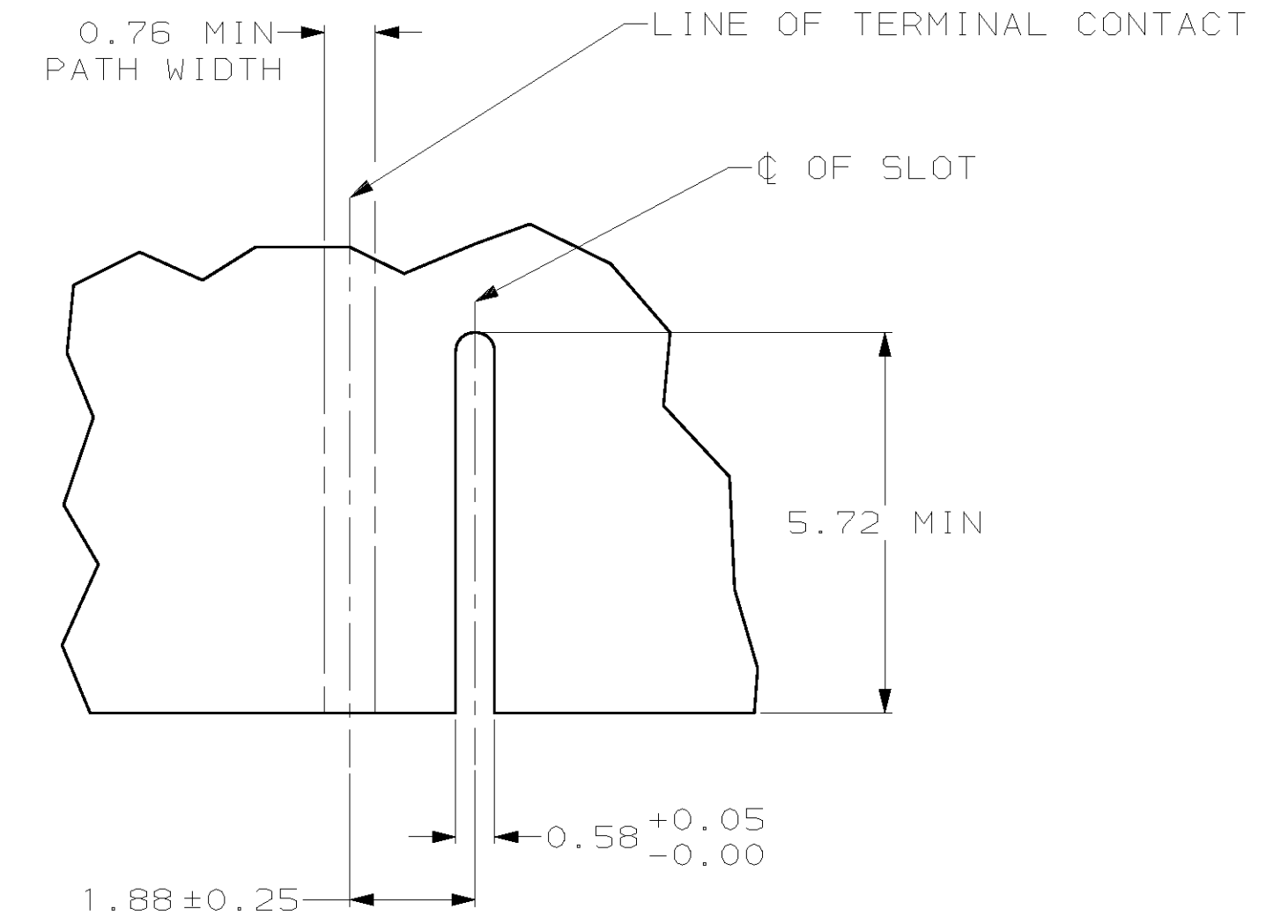


THIS DRAWING IS UNPUBLISHED. RELEASED FOR PUBLICATION
 (C) COPYRIGHT 19 BY AMP INCORPORATED. ALL RIGHTS RESERVED.

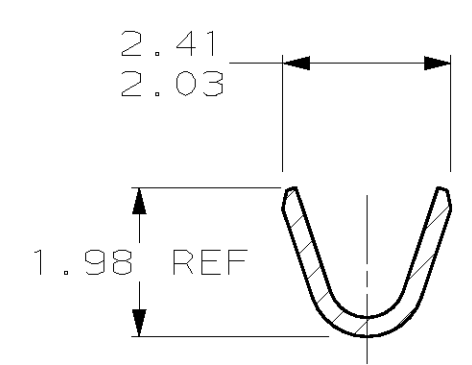
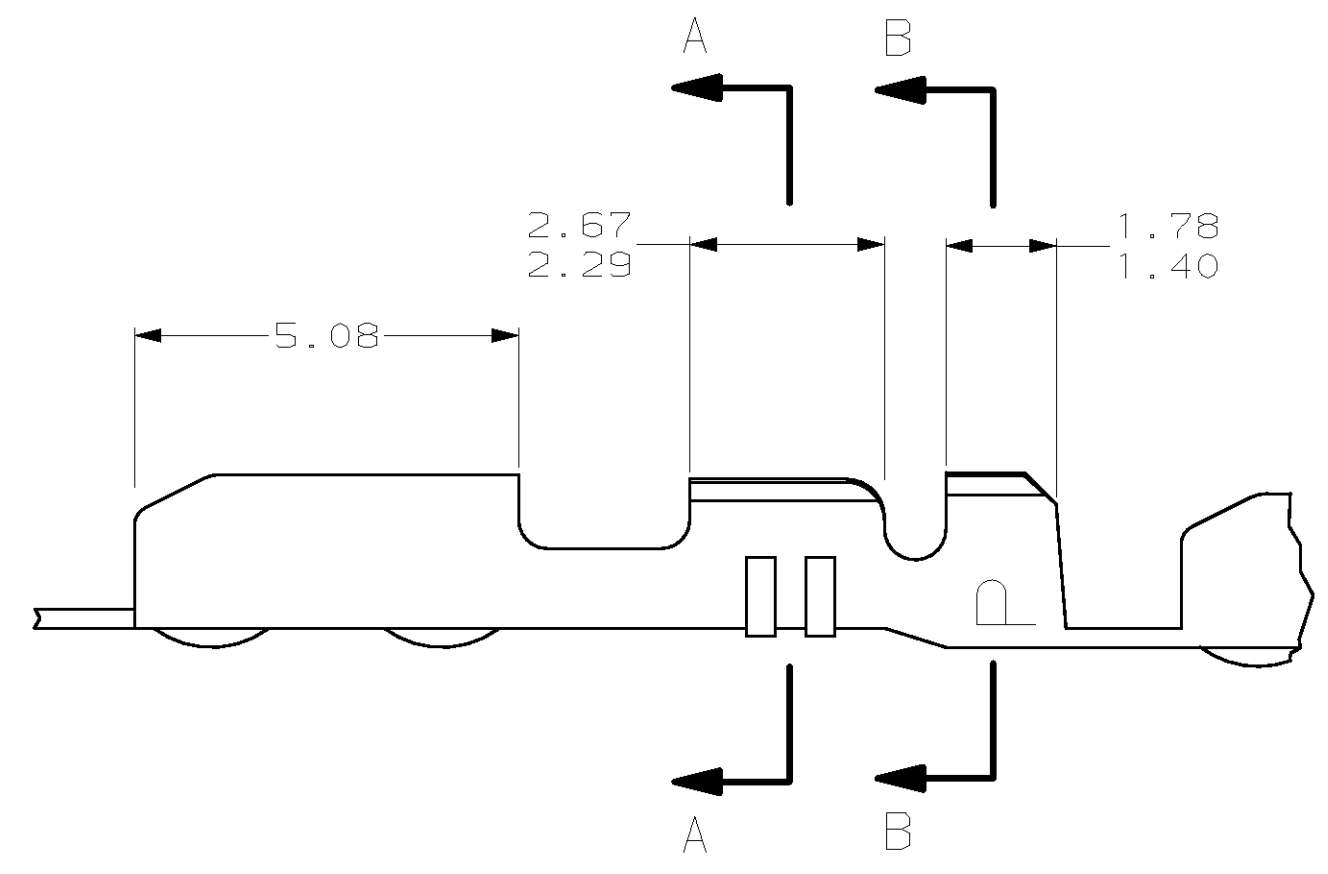
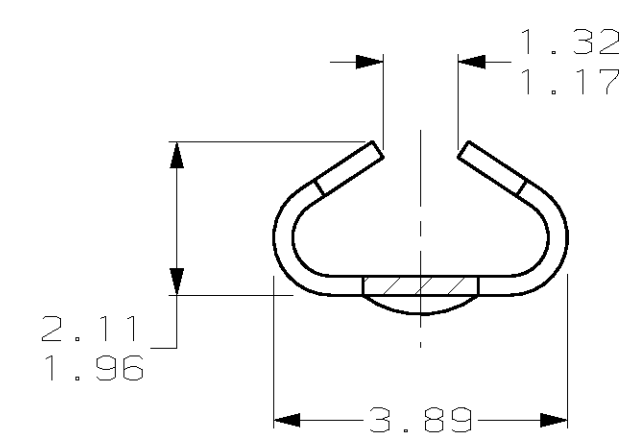
LOC	DIST	REVISIONS				
P	LTR	DESCRIPTION	DATE	DWN	APVD	
CM	52	AA	REV & REDWN PER EC 0L30-0096-97	12-20-96	TB	RS



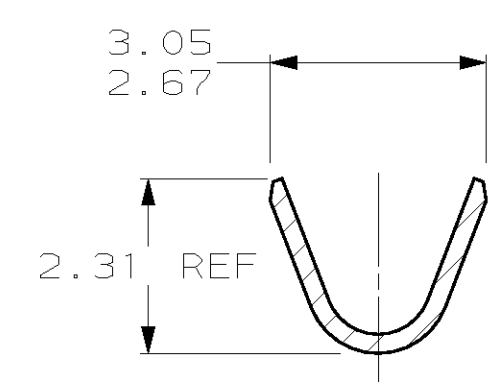
1. WIRE RANGE: 0.04 - 0.6 MM² (22 - 20 AWG)
2. INSULATION RANGE: 1.19 MAX



RECOMMENDED CUT OUT FOR 1.57 THICK P.C. BOARD



SECTION A-A



SECTION B-B

42263-7
PART NUMBER

1.17	.046	1.96	.077	2.67	.105	13.89	.547
0.76	.030	1.91	.075	2.41	.095	13.64	.537
0.58	.023	1.88	.074	2.31	.091	12.24	.482
0.25	.010	1.78	.070	2.29	.090	5.72	.225
0.13	.005	1.57	.062	2.11	.083	5.08	.200
0.05	.002	1.40	.055	2.03	.080	3.89	.153
0.00	.000	1.32	.052	1.98	.078	3.05	.120
MM	IN	MM	IN	MM	IN	MM	IN

CONVERSION TABLE

METRIC

THIS DRAWING IS A CONTROLLED DOCUMENT.		DWN T. BECK 12-20-96	AMP Incorporated Harrisburg, PA 17105-3608
DIMENSIONS: mm		CHK R. SWING 12-20-96	
TOLERANCES UNLESS OTHERWISE SPECIFIED:		APVD A. BEDDICK 1-08-97	NAME TERMINAL, 22-20 AWG, .075 MAX INSULATION, AMP-EDGE™
0 PLC ± 1 PLC ± 2 PLC ±0.13 3 PLC ± 4 PLC ± ANGLES ±		PRODUCT SPEC -	SIZE A2
MATERIAL 0.25 PHOSPHOR BRONZE		FINISH TIN	CAGE CODE 00779
CUSTOMER DRAWING		WEIGHT -	DRAWING NO C-42263
		SCALE 10:1	RESTRICTED TO -
		SHEET 1	OF 1
		REV AA	