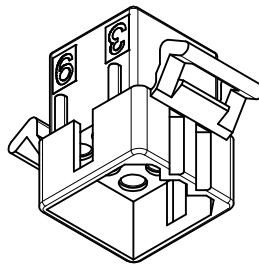
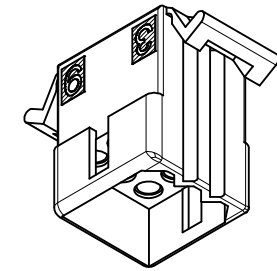
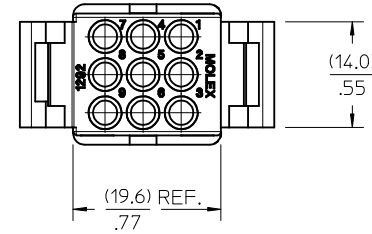


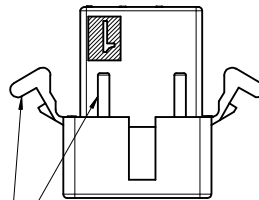
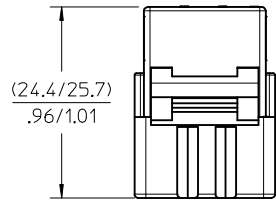
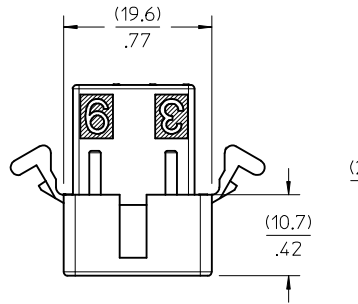
PLUG
1292-P1 SHOWN



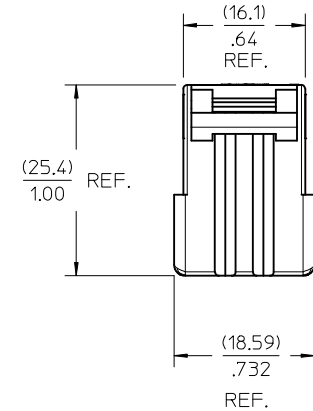
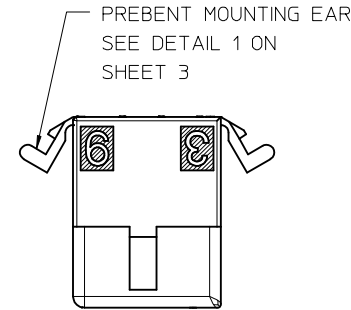
PLUG
1292-P2 SHOWN (WITH
RIBS & PREBENT EARS)



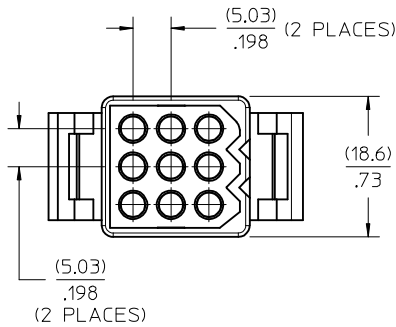
PLUG
1292-P SHOWN
(WITH BOTTOM MOUNT PREBENT EARS)



MOUNTING EARS AND
RIBS OPTION (SEE DETAIL 1 & NOTE 6
ON SHEET 3)



BOTTOM MOUNT PREBENT EAR OPTION

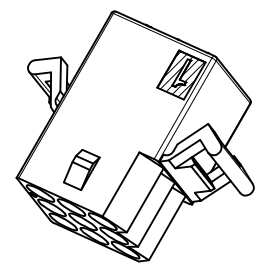
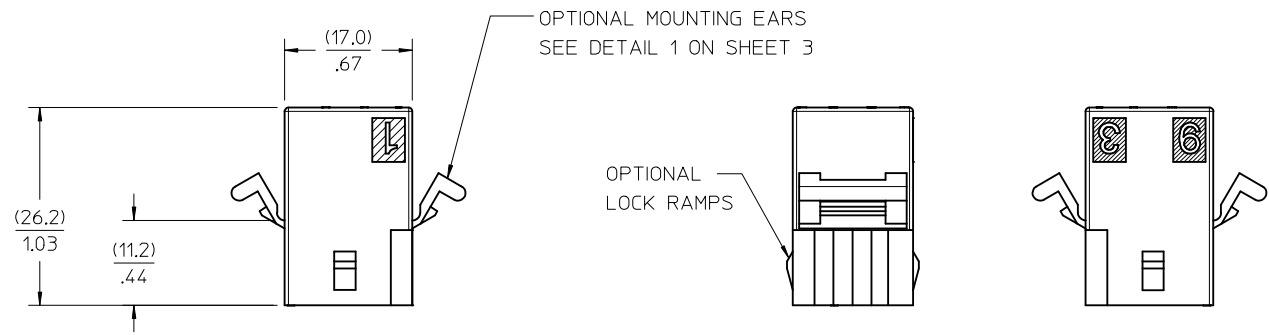
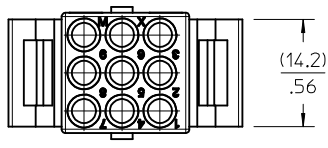


ADD SHEETS 2-3 EC NO: UCP2014-3075 DRW:WKIPPER 2014/01/27 CHKD:JBELL 2014/01/27 APPR:FSMITH 2014/02/14	DESCRIPTION	QUALITY SYMBOLS	GENERAL TOLERANCES (UNLESS SPECIFIED)	DIMENSION STYLE	SCALE	DESIGN UNITS	THIRD ANGLE PROJECTION
	REV			MM/IN	2:1	INCH	

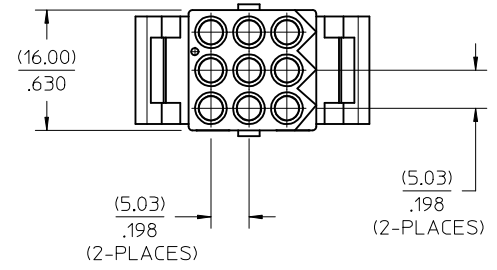
4 PLACES	± .010	± .010
3 PLACES	± .014	± .014
2 PLACES	± 0.25	± .---
1 PLACE	± 0.35	± .---
ANGULAR ± 1/2°		
DRAFT WHERE APPLICABLE MUST REMAIN WITHIN DIMENSIONS		

DRAWN BY	DATE	TITLE
CSTEWART	2011/07/21	.093/(2.36) HOUSING, PLUG 9 CKT. .198/(5.03) CTRS
CHECKED BY	DATE	
APPROVED BY	DATE	
FSMITH	2011/09/12	
MATERIAL NO.	SEE CHART	
SIZE	C	

DOCUMENT NO.	SHEET NO.
MOLEX INCORPORATED	1 OF 3
SD-1292-0001	
THIS DRAWING CONTAINS INFORMATION THAT IS PROPRIETARY TO MOLEX INCORPORATED AND SHOULD NOT BE USED WITHOUT WRITTEN PERMISSION	



RECEPTACLE
1292-R SHOWN
(WITH PREBENT MOUNTING EARS & LOCK RAMPS)



SEE SHEET 1 EC NO: UCP2014-3075 DRWN:KIPPER 2014/01/27 CHKD:JBELL 2014/01/27 APPR:FSMITH 2014/02/14 W	QUALITY SYMBOLS ▽=0 ▽=0 ▽=0	GENERAL TOLERANCES (UNLESS SPECIFIED) mm INCH 4 PLACES ± --- ± .010 3 PLACES ± --- ± .014 2 PLACES ± 0.25 ± --- 1 PLACE ± 0.35 ± --- ANGULAR ± 1/2°	DIMENSION STYLE MM/IN DRAWN BY DATE C STEWART 2011/07/21 CHECKED BY DATE	SCALE 2:1 DESIGN UNITS INCH THIRD ANGLE PROJECTION	TITLE .093/(2.36) HOUSING, PLUG 9 CKT. .198/(5.03) CTRS	MATERIAL NO. SEE CHART	APPROVED BY DATE FSMITH 2011/09/12	MOLEX INCORPORATED DOCUMENT NO. SD-1292-0001	SHEET NO. 2 OF 3
	DRAFT WHERE APPLICABLE MUST REMAIN WITHIN DIMENSIONS		THIS DRAWING CONTAINS INFORMATION THAT IS PROPRIETARY TO MOLEX INCORPORATED AND SHOULD NOT BE USED WITHOUT WRITTEN PERMISSION						

PLUG	
PART NO.	ENG. NO.
03-09-2091	1292-P
03-09-2092	1292-P1
03-09-7091	1292-PBK
03-09-7092	1292-P1BK
NOT TOOLED	1292-P2
27-09-2092	1292-P1-A

RECEPTACLE	
PART NO.	ENG. NO.
03-09-1091	1292-R
03-09-1092	1292-R1
03-09-6091	1292-RBK
03-09-6092	1292-R1BK
03-09-1093	1292-R2
03-09-6093	1292-R2BK
03-09-1094	1292-R3
03-09-6094	1292-R3BK
27-09-1093	1292-R2-A

LEGEND: PLUG

1292-P * * * * *

P = PLUG

BLANK = WITH PREBENT BOTTOM MOUNT EARS

1 = WITHOUT EARS

2 = PLUG WITH PREBENT EARS & RIBS

COLOR: BLANK=NATURAL COLOR

AM=AMBER BK=BLACK BU=BLUE

BN=BROWN GY=GRAY GN=GREEN

OR=ORANGE RD=RED YW=YELLOW

MATERIAL: BLANK = NYLON 6/6, U.L. 94V-2

A = NYLON 6/6, U.L. 94V-0

LEGEND: RECEPTACLE

1292-R * * * * *

R = RECEPTACLE

BLANK = WITH PREBENT EARS, WITH LOCK RAMP

1 = WITH PREBENT EARS, WITHOUT LOCK RAMP

2 = WITHOUT EARS, WITHOUT LOCK RAMP

3 = WITHOUT EARS, WITH LOCK RAMP

COLOR: BLANK=NATURAL COLOR

AM=AMBER BK=BLACK BU=BLUE

BN=BROWN GY=GRAY GN=GREEN

OR=ORANGE RD=RED YW=YELLOW

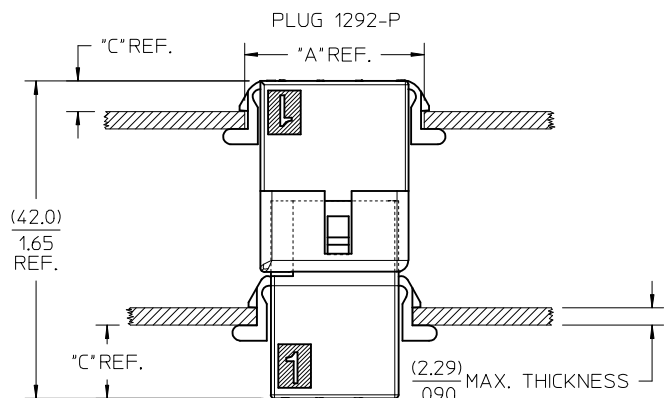
MATERIAL: BLANK = NYLON 6/6, U.L. 94V-2

A = NYLON 6/6, U.L. 94V-0

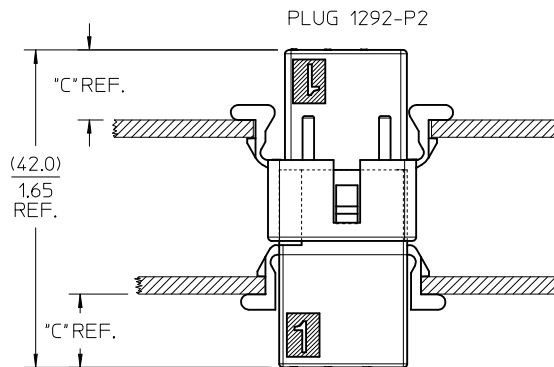
NOTES:

1. MATERIAL: SEE LEGEND
2. FINISH: N/A
3. THESE PARTS COMPLY WITH MOLEX PRODUCT SPEC. PS-02-09.
4. PACKAGING: PK-1292-001
5. HOUSINGS FOR USE WITH MOLEX .093/(2.36) PIN AND SOCKET TERMINALS.
6. RIBS ARE PRESENT ONLY ON PLUG 1292-P2.

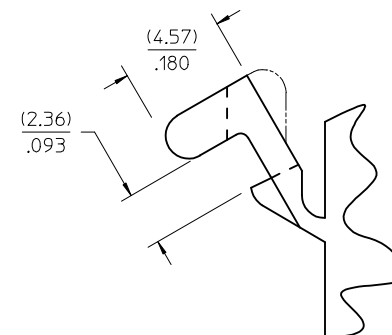
HOUSING	DIM. "A"	DIM. "B"	DIM. "C"
STD. PLUG	(23.62)/.930	(19.30)/.760	(9.9)/.39
BOTTOM MOUNT PLUG	(23.80)/.937	(16.76)/.660	(4.1)/.16
RECEPTACLE	(21.03)/.828	(18.42)/.725	(10.4)/.41



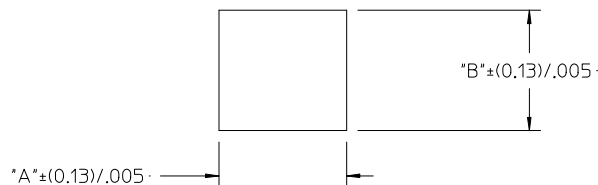
RECEPTACLE 1292-R



RECEPTACLE 1292-R



DETAIL 1
.093/(2.36) PREBENT MOUNTING EAR



DETAIL 2
PANEL CUTOUT VIEW

SEE SHEET 1 EC NO: UCP2014-3075 DRW:WKIPPER 2014/01/27 CHKD:JBELL 2014/01/27 APPR:FSMITH 2014/02/14	QUALITY SYMBOLS ▽=0 ▽=0 ▽=0	GENERAL TOLERANCES (UNLESS SPECIFIED)		DIMENSION STYLE MM/IN		SCALE 2:1	DESIGN UNITS INCH	THIRD ANGLE PROJECTION	
		4 PLACES ± --- ±.010	3 PLACES ± --- ±.014	DRAWN BY C STEWART	DATE 2011/07/21	TITLE .093/(2.36) HOUSING, PLUG 9 CKT. .198/(5.03) CTRS			
		2 PLACES ± 0.25 ± ---	1 PLACE ± 0.35 ± ---	APPROVED BY FSMITH	DATE 2011/09/12	molex			
		0 PLACE ± ±	ANGULAR ±1/2°	MATERIAL NO. SEE CHART		DOCUMENT NO. SD-1292-0001	SHEET NO. 3 OF 3		
DRAFT WHERE APPLICABLE MUST REMAIN WITHIN DIMENSIONS		THIS DRAWING CONTAINS INFORMATION THAT IS PROPRIETARY TO MOLEX INCORPORATED AND SHOULD NOT BE USED WITHOUT WRITTEN PERMISSION							