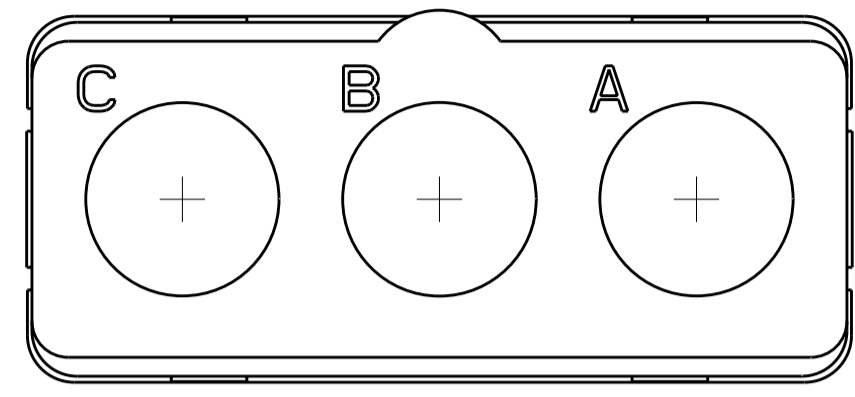
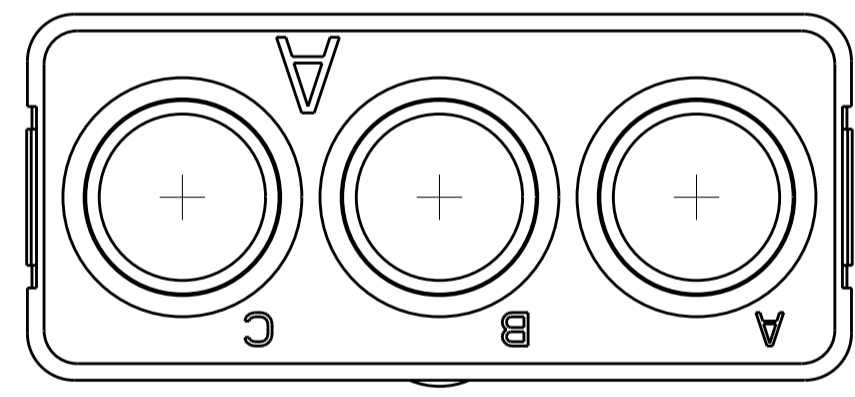
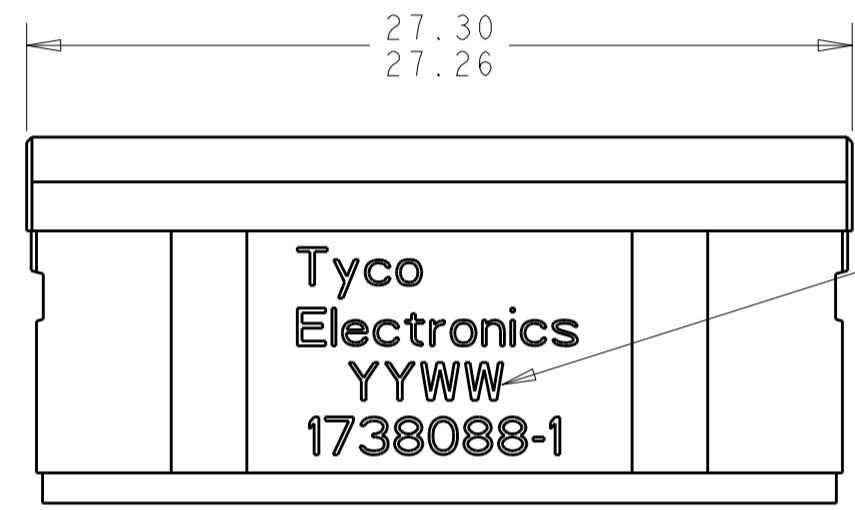
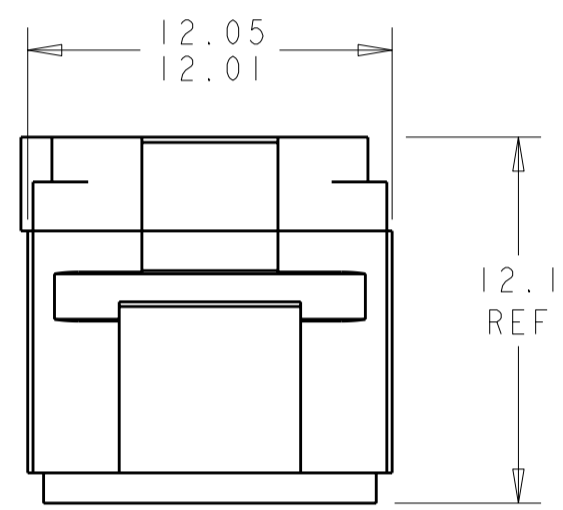


THIS DRAWING IS UNPUBLISHED. RELEASED FOR PUBLICATION  
 © COPYRIGHT BY TYCO ELECTRONICS CORPORATION. ALL RIGHTS RESERVED.

LOC	DIST	REVISIONS			
P	LTR	DESCRIPTION	DATE	DWN	APVD
-	-	A	REV PER ECO 10-021982	10-27-10	CT KH



MATING FACE



- 1 FRONT & REAR INSULATOR: HIGH-TEMP THERMOPLASTIC OR THERMOSET EPOXY PER ASTM D5948. CONTACT RETENTION CLIPS: STAINLESS STEEL PER AISI 302 OR COPPER ALLOY PER ASTM B194
- 2 DATE CODE: YEAR & WEEK (YY WW)
- 3 DESCRIPTIVE PART NUMBER GPRBNC3PA  
THIS INSERT CONTAINS: 3 CAVITIES FOR SIZE 5 PIN COAX CONTACTS
- 4 THIS PRODUCT IS SOLD BY TYCO ELECTRONICS UNDER A LICENSE FROM RADIALL SA.

1738088-1  
PART NUMBER

<small>THIS DRAWING IS A CONTROLLED DOCUMENT FOR TYCO ELECTRONICS CORPORATION. IT IS SUBJECT TO CHANGE AND THE CONTROLLING ENGINEERING ORGANIZATION SHOULD BE CONTACTED FOR THE LATEST REVISION.</small>		DWN	BH	06MAY10	Tyco Electronics Harrisburg, PA 17105-3608
DIMENSIONS:		CHK	JPM	06MAY10	
mm		APVD	JPM	06MAY10	
		PRODUCT SPEC		NAME	
TOLERANCES UNLESS OTHERWISE SPECIFIED: 0 PLC ±- 1 PLC ±0.1 2 PLC ±0.05 3 PLC ±- 4 PLC ±- ANGLES ±1 FINISH		APPLICATION SPEC		INSERT ASSEMBLY, PIN, NON-ENVIRONMENTAL ARRANGEMENT C3, KEY A, GPRB	
MATERIAL	1	WEIGHT	-	SIZE	RESTRICTED TO
				A200779	
CUSTOMER DRAWING			DRAWING NO	C-1738088	
SCALE 4:1			SHEET	OF	REV A