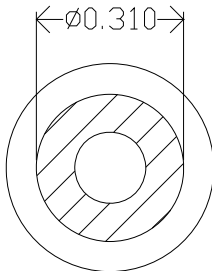
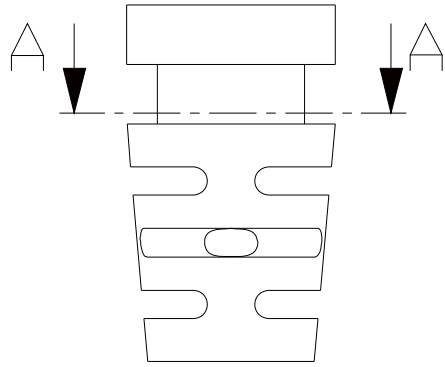
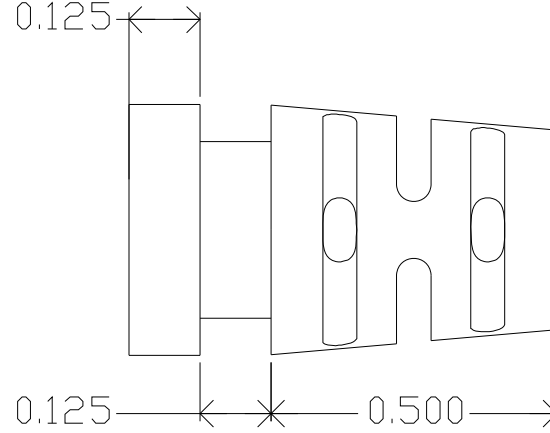
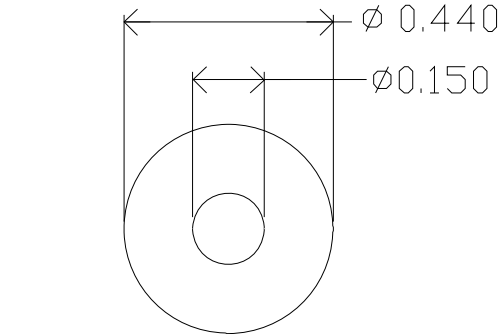
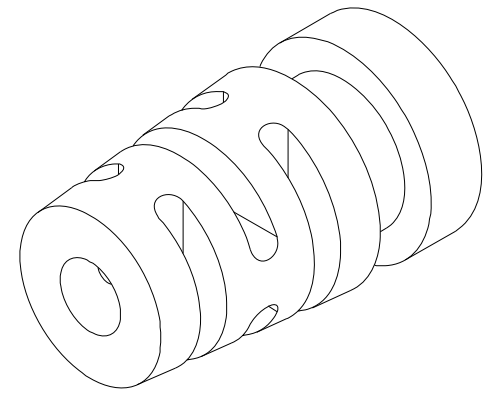


ZONE		REVISIONS	DATE	APPROVED
REV.	DESCRIPTION			



A-A



MOLD MATERIAL: ISC P/N: 5000214, PVC,M1472, BLK, ROHS

Dimensions are subject to change.
 PROPRIETARY AND CONFIDENTIAL
 THE INFORMATION CONTAINED IN THIS DRAWING IS THE SOLE PROPERTY OF ISC ENGINEERING. ANY REPRODUCTION IN PART OR AS A WHOLE WITHOUT THE WRITTEN PERMISSION OF ISC ENGINEERING IS PROHIBITED.

		DIMENSIONS ARE IN INCHES		NAME	DATE	ISC Engineering 4351 Schaefer Ave, Chino, CA 91710 Ph: 909-596-3315 Fax: 909-596-3335 www.iscengineering.com
		TOLERANCES:		DRAWN	R FIERRO	
		FRACTIONAL \pm		CHECKED		www.overmoldtooling.com
		ANGULAR: MACH \pm BEND \pm		ENG APPR		
		TWO PLACE DECIMAL \pm		MFG APPR		
		THREE PLACE DECIMAL \pm		Q.A.		1461080-150-E-310-440-0
		MATERIAL --		COMMENTS:		
		FINISH --				
		NEXT ASSY USED ON				SIZE DWG. NO. 1467097
		APPLICATION	DO NOT SCALE DRAWING			REV. A
						SCALE:5:1 WEIGHT: SHEET 1 OF 1