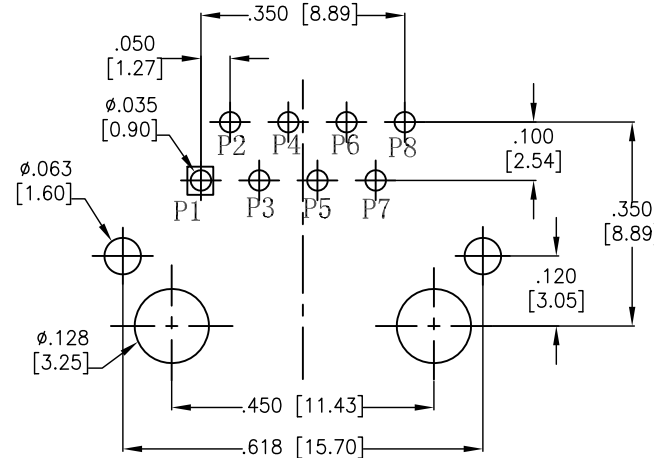
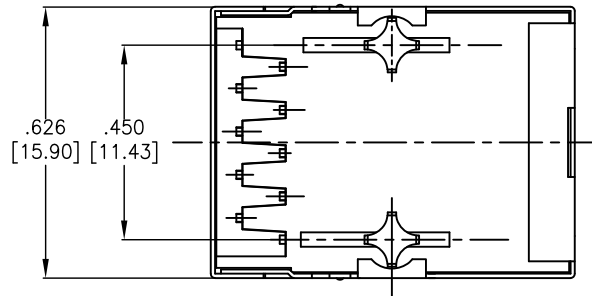
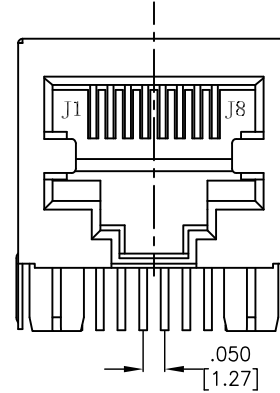
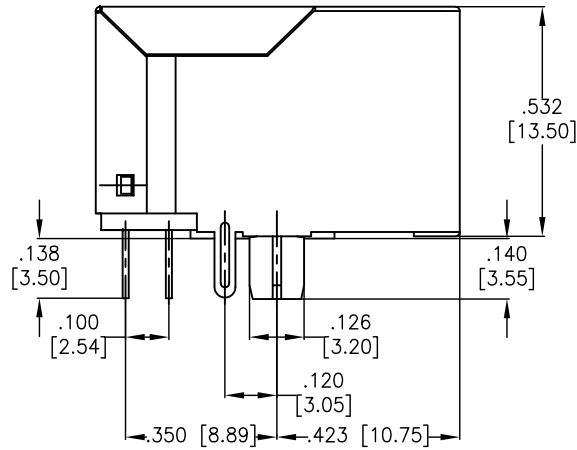


APPROVED: \_\_\_\_\_  
 DATE: \_\_\_\_\_ TITLE: \_\_\_\_\_

| Rev | AWO # | Description    | Date    | Appr  |
|-----|-------|----------------|---------|-------|
| -   | 10260 | RELEASED       | 5/12/10 |       |
| A   | 10260 | UPDATE DRAWING | 7/2/19  | LH/KC |



**SPECIFICATIONS:**

Material:  
 Insulator: PA66, rated UL 94V-0  
 Insulator color: Black  
 Contacts: Copper Alloy  
 Shield: Brass, Nickel plated  
 Plating:  
 Round contact  
 Gold over Nickel underplate overall  
 Flat contact  
 Gold over Nickel underplate on contact area,  
 Tin over Nickel underplate on solder tails  
 Electrical:  
 Voltage Rating: 150 VAC max  
 Current rating: 1.5 Amps max  
 Contact Resistance: 20 mohms max  
 Insulation resistance: 500 Mohms min @500 VDC  
 Dielectric withstanding voltage: 1500 VAC or 2250 VDC  
 Temperature Rating:  
 Operating temperature: -40°C to +85°C  
 Environmental:  
 Lead free, RoHS compliant.



UNLESS OTHERWISE SPECIFIED  
 ALL DIMENSIONS ARE INCHES [MM]  
 TOLERANCES: EXCEPT AS NOTED  
 INCHES HOLES  

|             |              |
|-------------|--------------|
| .X ± .10    | Ø.X ± .10    |
| .XX ± .020  | Ø.XX ± .015  |
| .XXX ± .015 | Ø.XXX ± .010 |

**ADAM TECH**  
 INTERCONNECTS  
 909 Rahway Avenue,  
 Union, NJ 07083  
 Phone: 908-687-5000  
 Fax: 908-687-5710

TITLE  
 MODULAR JACK GANGED, 1 PORT, 8P8C

| APPROVALS |    | DATE    |
|-----------|----|---------|
| DRAWN     | DY | 5/12/10 |
| CHECKED   |    |         |
| APPROVED  |    |         |

| SIZE         | PART NO.         | REV.         |
|--------------|------------------|--------------|
| X            | MTJ-88TX1-FSD-M4 | A            |
| REF: S00005C | SCALE: NTS       | SHEET 1 OF 2 |

6

5

4

3

2

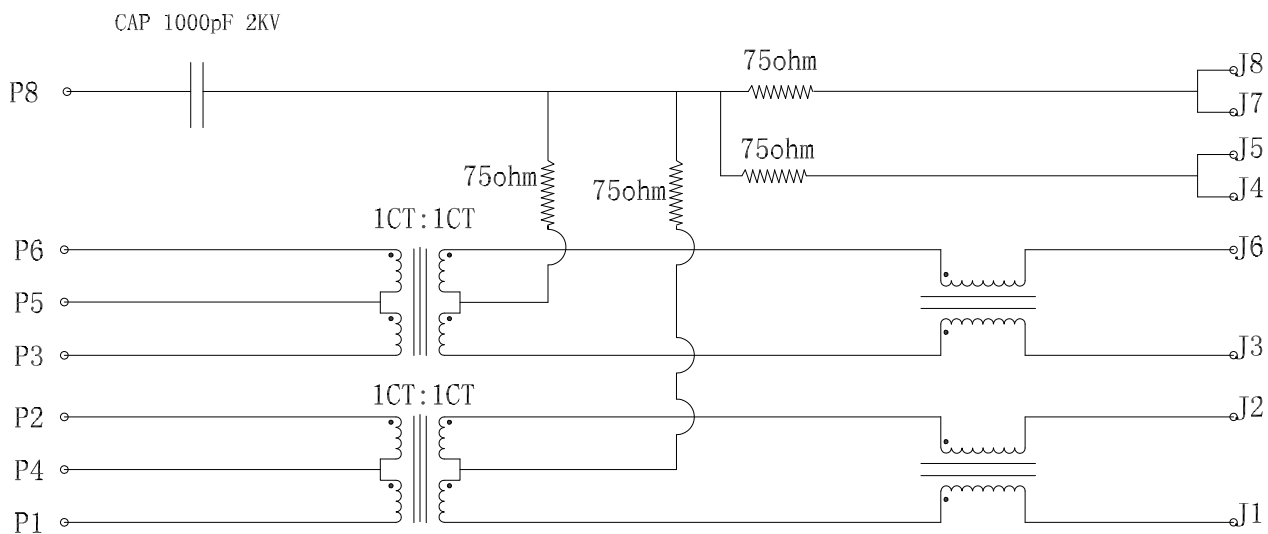
1

APPROVED: \_\_\_\_\_

DATE: \_\_\_\_\_ TITLE: \_\_\_\_\_

|     |       |             |      |      |
|-----|-------|-------------|------|------|
| Rev | AWO # | Description | Date | Appr |
|-----|-------|-------------|------|------|

SEE SHT 1 OF 2 FOR REVISION



Electronical Specifications:

- 1.0 Turn Ratio @100KHz: (P1~P2):(J1~J2) = 1:1±5%  
(P3~P6):(J3~J6) = 1:1±5%
- 2.0 Primary Inductance: 350uH MIN @100KHZ,0.1V 8mA DC BIAS
- 3.0 DC Resistance:(J1~J2):(J3~J6) 1.2 OHMS MAX
- 4.0 Insertion Loss: 1-100MHz -1.2dB MAX
- 5.0 Return Loss: 1-30MHz -16dB MIN  
30-60MHz -12dB MIN  
60-80MHz -10dB MIN
- 6.0 CROSS TALK: 1-100MHz -30dB MIN
- 7.0 COMMON TO COMMON MODE ATTENUATION: 1-100MHz -30dB MIN
- 8.0 Isolation: PHY Side to Line Side:1500VAC or 2250VDC

UNLESS OTHERWISE SPECIFIED  
ALL DIMENSIONS ARE INCHES [MM]  
TOLERANCES: EXCEPT AS NOTED  
INCHES HOLES

|             |              |
|-------------|--------------|
| .X ± .10    | Ø.X ± .10    |
| .XX ± .020  | Ø.XX ± .015  |
| .XXX ± .015 | Ø.XXX ± .010 |

**ADAM**  
**TECH**  
INTERCONNECTS

909 Rahway Avenue,  
Union, NJ 07083  
Phone: 908-687-5000  
Fax: 908-687-5710

TITLE  
MODULAR JACK GANGED, 1 PORT, 8P8C

|           |    |         |
|-----------|----|---------|
| APPROVALS |    | DATE    |
| DRAWN     | DY | 5/12/10 |
| CHECKED   |    |         |
| APPROVED  |    |         |

|              |                  |              |
|--------------|------------------|--------------|
| SIZE         | PART NO.         | REV.         |
| X            | MTJ-88TX1-FSD-M4 | A            |
| REF: S00005C | SCALE: NTS       | SHEET 2 OF 2 |

6

5

4

3

2

1